

Cable Management Interbay Panel, 2 RMS, 6 Pack

Package Includes

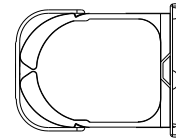
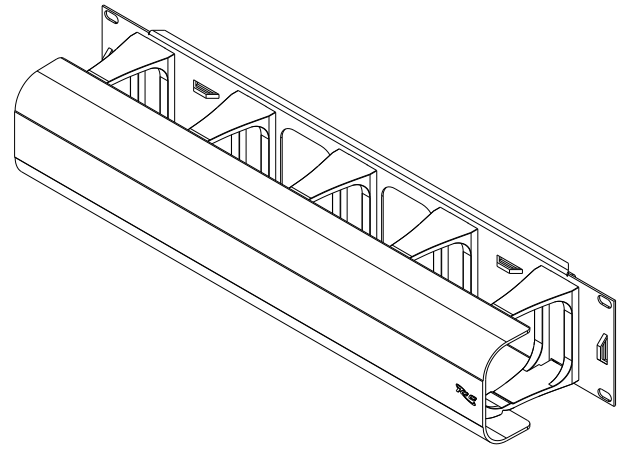
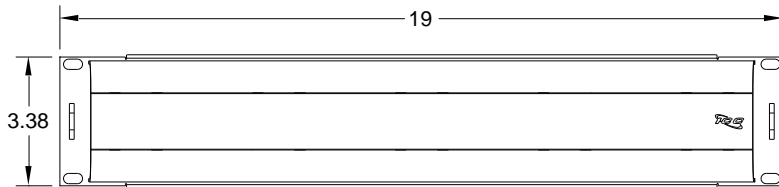
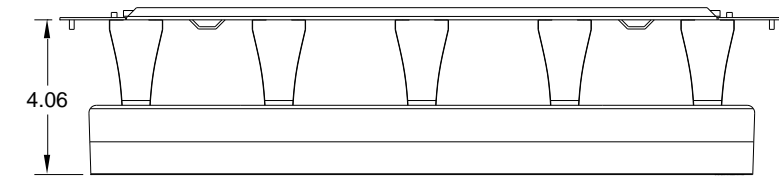
- A. Cable Management Interbay Panel, 6 PCS
- B. Cable Management Interbay Cover, 6 PCS
- C. Mounting Screws, 24 PCS



Features and Benefits

- Provides flexibility for front cable management with a neat and clean appearance
- Designed with 5 horizontal rings to manage patch cords and cables
- Designed to fit all standard 19" racks and cabinets
- 2 Rack Mount Space (RMS)
- Removable cover included
- Used with all ICCMS racks and brackets
- ANSI/TIA-568-C and UL 1863 compliant

Product Specification



NOTE: UNLESS OTHERWISE SPECIFIED

1. Panel:

- A. Material: 16 GA CRS
- B. Surface Finish: Black Powder Coat

2. Ring:

- A. Material: ABS, UL 94V-0
- B. Color: Black