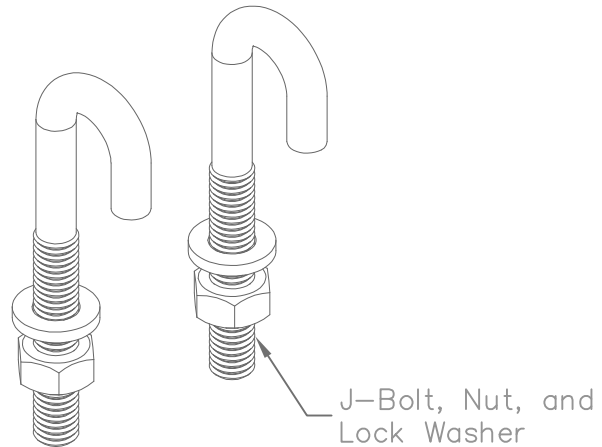
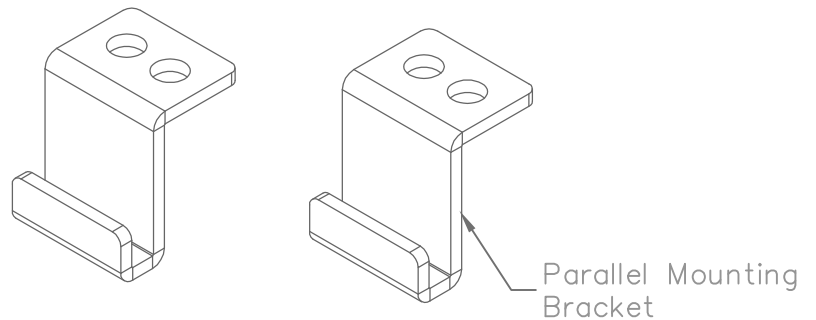
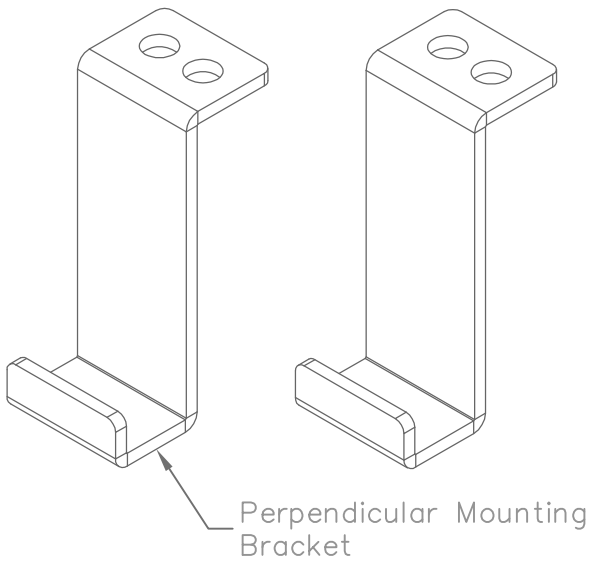


# 4-Post Relay Rack Ladder Mounting Kit

## PRODUCT SPECIFICATION

### Package includes:

- A. Parallel Mounting Bracket , 2 pcs
- B. Perpendicular Mounting Bracket, 2 pcs
- C. #5/16-18 x 3" J-Bolt, 2 pcs
- D. #5/16-18 Nut, 2 pcs
- E. #5/16-18 Lock Washer, 2 pcs



### Features and Benefits:

- Designed with durable steel construction, black textured powder coated, providing strength and stability for long lasting use.
- Designed to secure ladder runway perpendiculary or parallel to the 4-Post Distribution Rack.

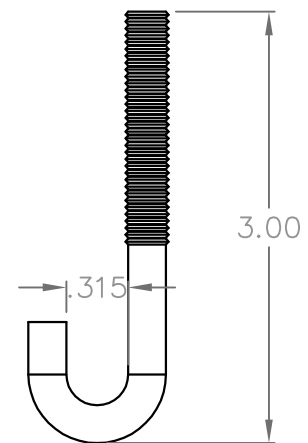
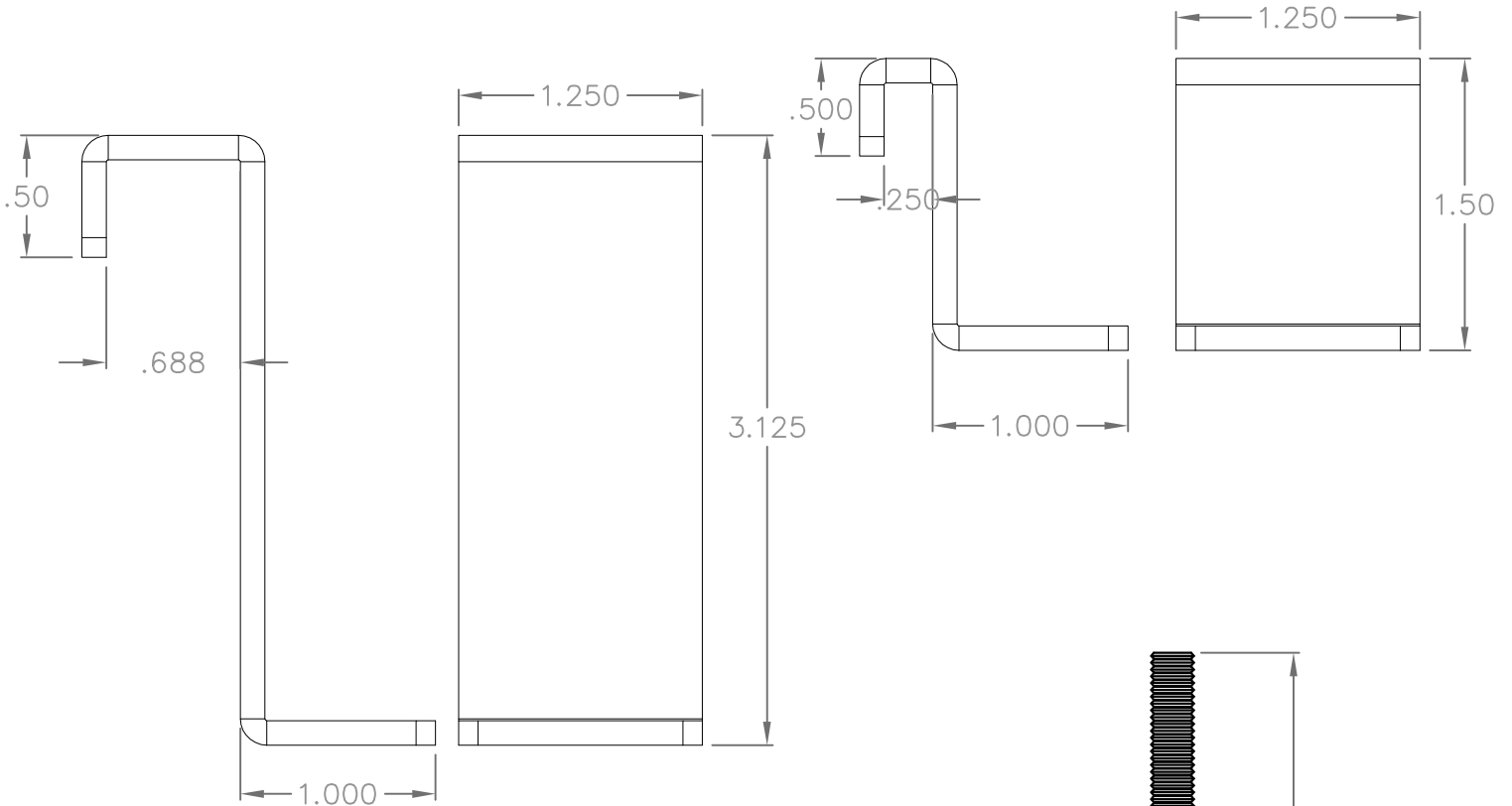
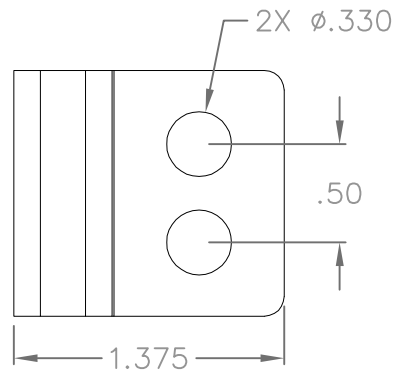
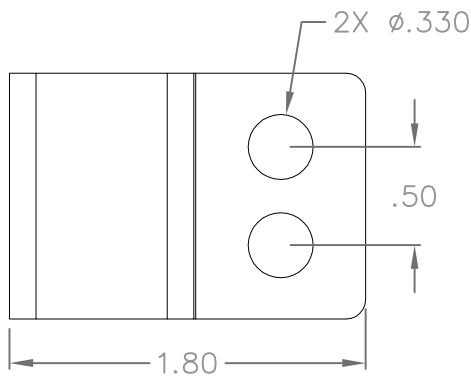
### RUNWAY KIT, 4-POST RELAY RACK BRACKET

ITEM NO.	ICCM4PBK
DWG NO.	PSCM4PBK

REV.	B
PAGE NO.	1



CUSTOMER CARE / TECHNICAL SUPPORT \* CSR@ICC.COM / 888-ASK-4-ICC (275-4422) \* 14700 Alondra Blvd., La Mirada, CA 90638 \* www.icc.com



**NOTE: UNLESS OTHERWISE SPECIFIED**

- 1. MATERIAL:  
BRACKETS: 11 GA CRS  
J-BOLT: STEEL
- 2. SURFACE FINISH:  
BRACKETS: BLACK TEXTURED POWDER COAT  
J-BOLTS: ZINC

**RUNWAY KIT, 4-POST RELAY RACK BRACKET**

ITEM NO. ICCMSL4PBK  
DWG NO. PSCMSL4PBK

REV. B  
PAGE NO. 2



CUSTOMER CARE / TECHNICAL SUPPORT \* CSR@ICC.COM / 888-ASK-4-ICC (275-4422) \* 14700 Alondra Blvd., La Mirada, CA 90638 \* www.icc.com