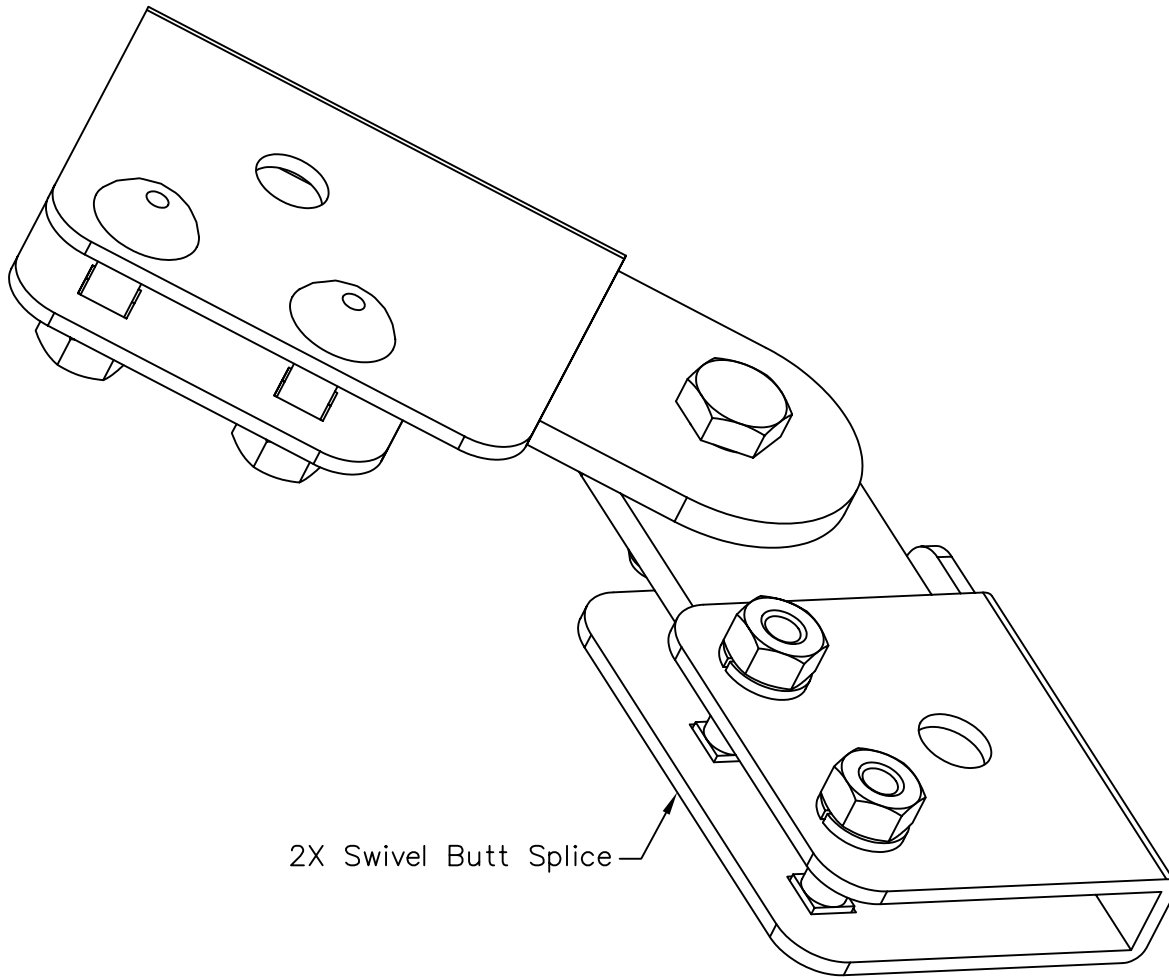


Swivel Butt Splice Runway Kit

PRODUCT SPECIFICATION

Package includes:

A. Swivel Butt Splice , 2 pcs



Features and Benefits:

- Designed with durable steel construction, black powder coated, providing strength and stability for long lasting use
- Enables runway section ends to be adjusted at various angles
- Used with ICCMSLST ladder rack runways

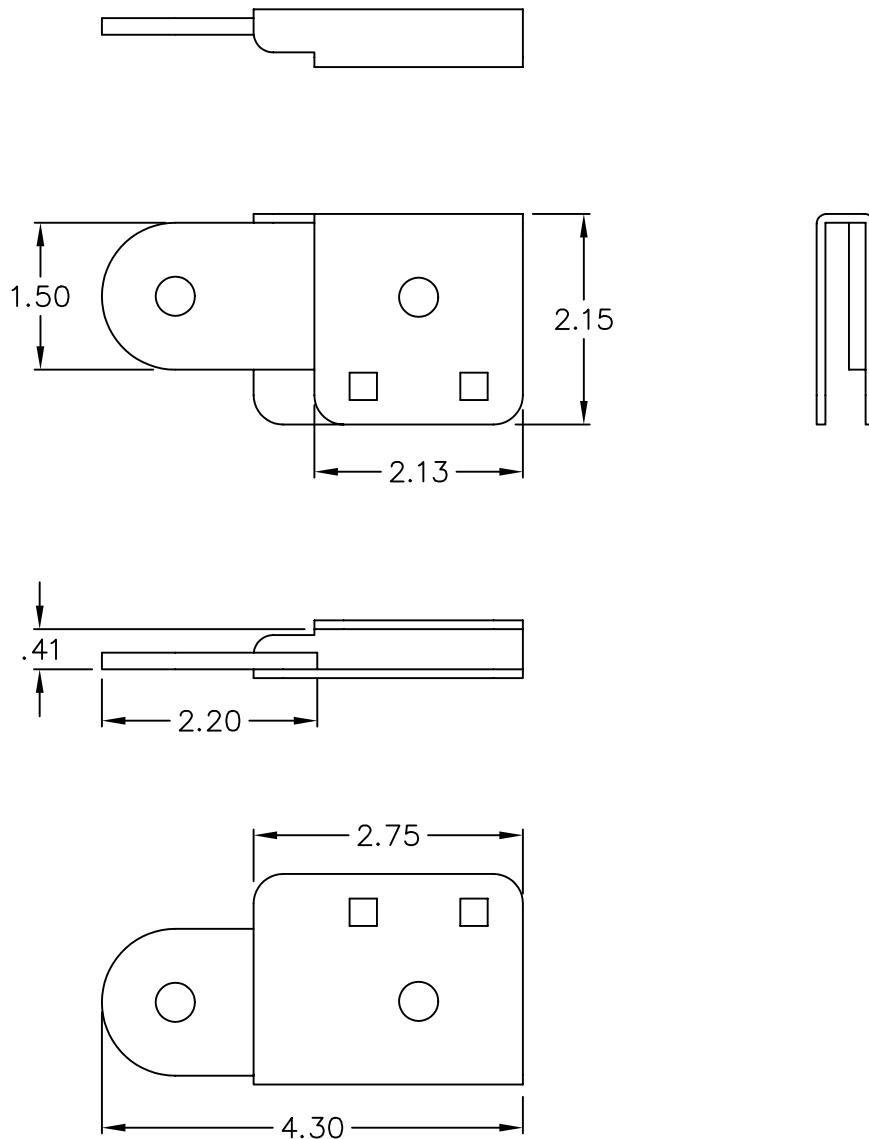
RUNWAY KIT, BUTT SPLICE, SWIVEL, 2 EA

ITEM NO.	ICCMSLESSK
DWG NO.	PSCMSLESSK

REV.	A
PAGE NO.	1




CUSTOMER CARE / TECHNICAL SUPPORT * CSR@ICC.COM / 888-ASK-4-ICC (275-4422) * 14700 Alondra Blvd., La Mirada, CA 90638 * www.icc.com



NOTE: UNLESS OTHERWISE SPECIFIED

1. MATERIAL: 12 GA CRS
2. SURFACE FINISH: BLACK POWDER COAT

RUNWAY KIT, BUTT SPLICE, SWIVEL, 2 EA		 <i>PremiumProducts</i> <i>ProvenPerformance</i> <i>CompetitivePrices</i>	
ITEM NO.	ICCMSLESSK		REV. A
DWG NO.	PSCMSLESSK	PAGE NO.	2

CUSTOMER CARE / TECHNICAL SUPPORT * CSR@ICC.COM / 888-ASK-4-ICC (275-4422) * 14700 Alondra Blvd., La Mirada, CA 90638 * www.icc.com