

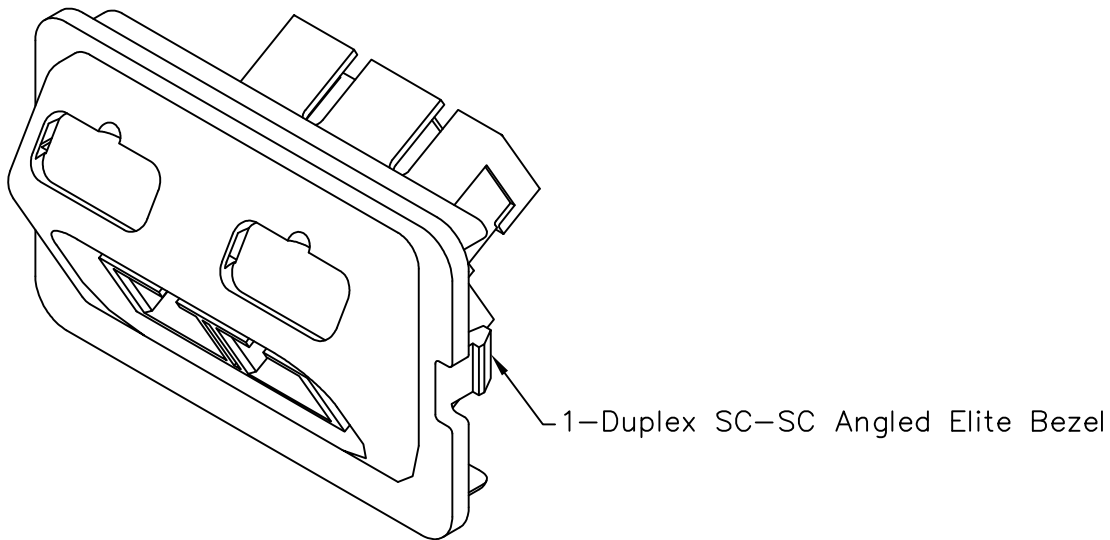


# 1-Duplex SC-SC Angled Elite Bezel

## PRODUCT SPECIFICATION

### Package includes:

- A. 1-Duplex SC-SC Angled Elite Bezel, 1 pc
- B. Dust Cap, 4 pcs
- C.  /  Icon, 2 pcs



### Features and Benefits:

- Provides a flexible solution for fiber work area connectivity
- Angled design provides low profile connectivity and bend radius capability
- Provides for proper routing of two fiber connections in tight areas
- Rugged and durable construction
- Easy system administration with use of enclosed icons
- Compatible with all IC108 faceplates, multi-media boxes/outlets, Euro style box, and blank patch panels
- Available in ivory and white
- ANSI/TIA-568-C and UL 1863 compliant

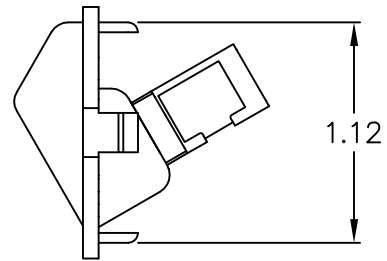
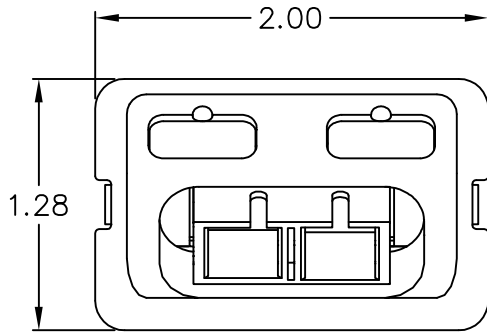
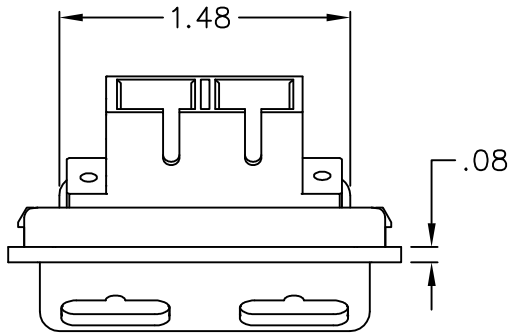
### BEZEL, ELITE, ANGLED, 1-DUPLEX SC-SC

ITEM NO.	IC108BACXX
DWG NO.	PS108BAC00

REV.	B
PAGE NO.	1



CUSTOMER CARE / TECHNICAL SUPPORT \* CSR@ICC.COM / 888-ASK-4-ICC (275-4422) \* 2100 E. Valencia Dr, Suite D, Fullerton, CA 92831 \* www.icc.com



**NOTE: UNLESS OTHERWISE SPECIFIED**

1. HOUSING:

- A. MATERIAL: ABS, UL 94V-0
- B. SURFACE FINISHING: TEXTURE
- C. COLOR: XX: IV-IVORY & WH-WHITE

2. DUPLEX SC-SC ADAPTER:

- A. MATERIAL:
  - ADAPTER BODY: PLASTIC
  - SLEEVE: PHOSPHOR BRONZE
  - HOLDER: STAINLESS STEEL
  - DUST CAP: PLASTIC

UL US FILE NO. 125268

<b>BEZEL, ELITE, ANGLED, 1-DUPLEX SC-SC</b>			
ITEM NO.	IC108BACXX		REV. B
DWG NO.	PS108BAC00		PAGE NO. 2

CUSTOMER CARE / TECHNICAL SUPPORT \* CSR@ICC.COM / 888-ASK-4-ICC (275-4422) \* 2100 E. Valencia Dr, Suite D, Fullerton, CA 92831 \* www.icc.com