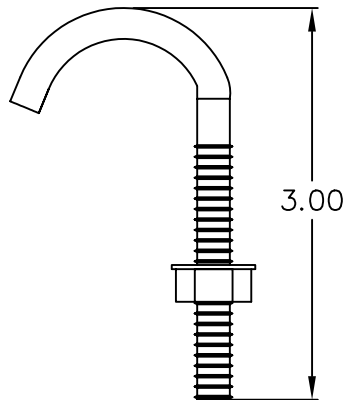
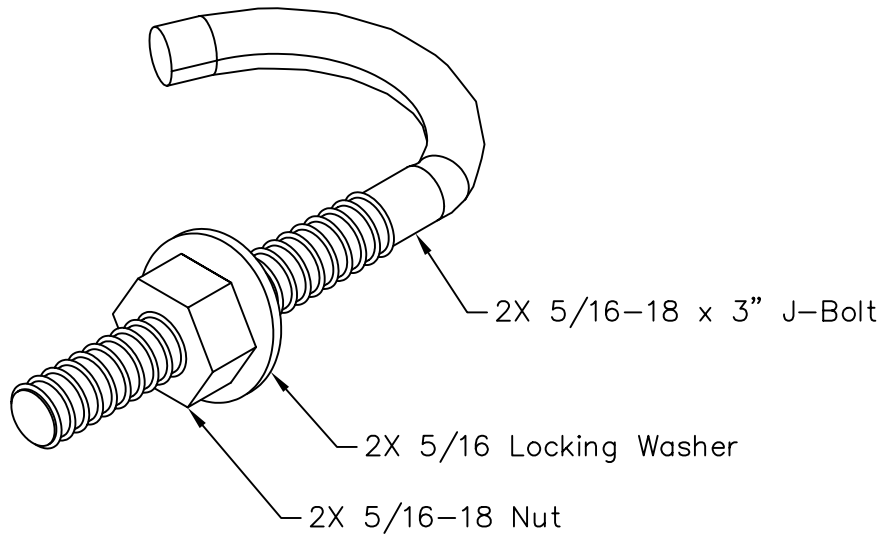


J-Bolt Runway Kit

PRODUCT SPECIFICATION


Package includes:

- A. 5/16-18 x 3" J-Bolt, 2 pcs
- B. 5/16-18 Nut, 2 pcs
- C. 5/16 Lock Washer, 2 pcs



Features and Benefits:

- Designed to insert over and secure runway sections
- Used with ICCMSL ladder rack runway products

RUNWAY KIT, J-BOLT, 2 EA		 <i>PremiumProducts</i> <i>ProvenPerformance</i> <i>CompetitivePrices</i>	
ITEM NO.	ICCMSLJB01		REV. A
DWG NO.	PSCMSLJB01		PAGE NO. 1

CUSTOMER CARE / TECHNICAL SUPPORT * CSR@ICC.COM / 888-ASK-4-ICC (275-4422) * 14700 Alondra Blvd., La Mirada, CA 90638 * www.icc.com