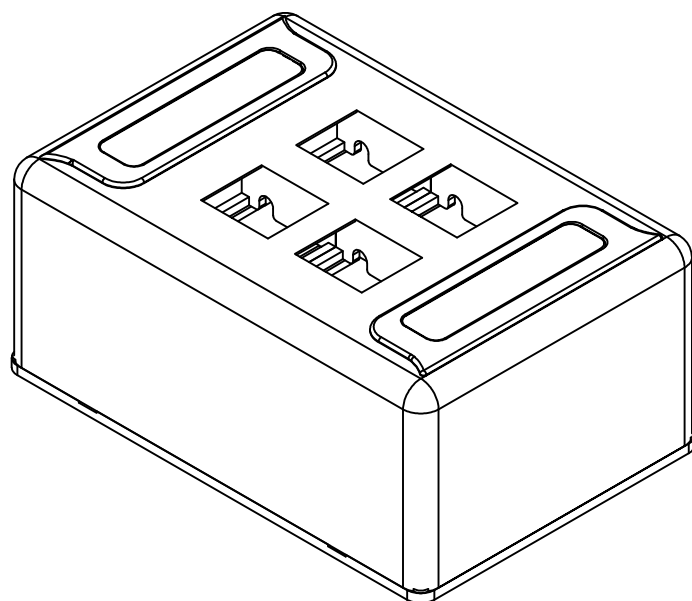


# 4-Port Universal Furniture Faceplate

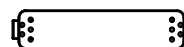
## PRODUCT SPECIFICATION



### Package includes:

- A. 4-Port Universal Faceplate Cover, 1 pc
- B. Universal Faceplate Base, 1 pc
- C. Latch, 4 pcs
- D. Clear Label Cover, 2 pcs
- E. Paper Label, 2 pcs
- F. #6 x 3/4" Pan Head, Sharp Point Tapping Screw, 2 pcs
- G. Installation Instructions, 1 sheet

4-Port Universal Furniture Faceplate



Clear Label Cover

### Features and Benefits:

- Designed to support the distribution of voice, data, and other communication needs to the work area
- Features an adjustable mounting system to fit all popular modular furniture cabling cutouts
- 2-piece design with moveable locking tabs position the base of the faceplate into the cutouts of the furniture base cover
- Accommodates furniture cabling cutouts from 0.8125" to 1.9375" H and 2.34" to 3.50" W.
- Fits popular brands of modular office furniture; including Herman Miller, Knoll, Hayworth, Steelcase, and many others
- Rugged and durable construction
- Easy station identification with use of enclosed labels protected by clear plastic covers
- Accommodates a wide variety of easy to snap-in modules, providing configuration flexibility
- Accepts all IC107 modules
- Available in black, gray, ivory, and white
- Installation instructions #MSR-0371 included
- ANSI/TIA-568-C and UL 1863 compliant

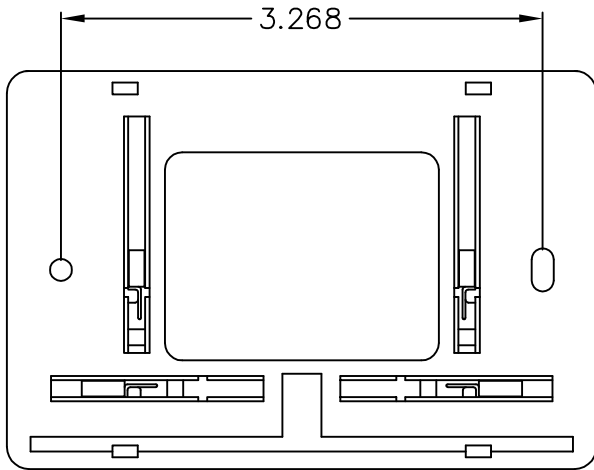
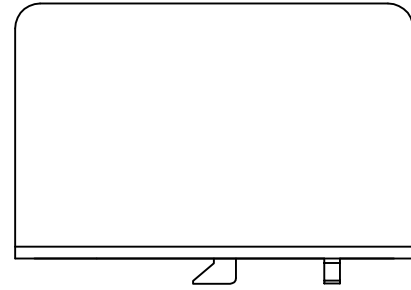
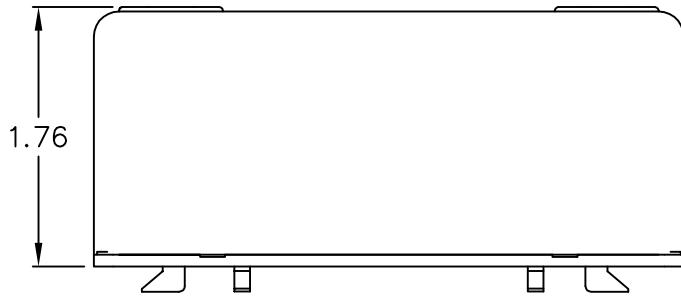
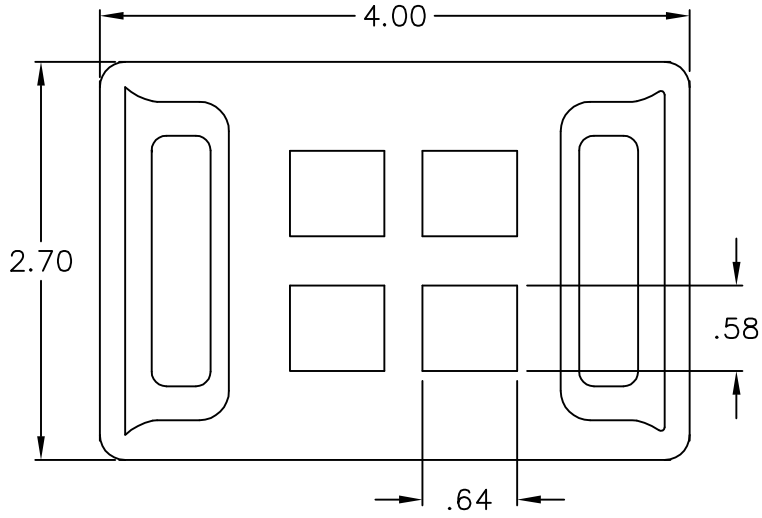
### FACEPLATE, FURNITURE, UNIV, 4-PORT

ITEM NO.	IC108UF4XX
DWG NO.	PS108UF400

REV.	A
PAGE NO.	1



CUSTOMER CARE / TECHNICAL SUPPORT \* CSR@ICC.COM / 888-ASK-4-ICC (275-4422) \* 2100 E. Valencia Dr, Suite D, Fullerton, CA 92831 \* www.icc.com



**NOTE: UNLESS OTHERWISE SPECIFIED**

1. MATERIAL: ABS, UL 94V-0
2. SURFACE FINISHING: TEXTURE
3. COLOR: XX: BK-BLACK, GY-GRAY, IV-IVORY, & WH-WHITE

UL US FILE NO. 125268

<b>FACEPLATE, FURNITURE, UNIV, 4-PORT</b>		
ITEM NO.	IC108UF4XX	
DWG NO.	PS108UF400	PAGE NO. 2

CUSTOMER CARE / TECHNICAL SUPPORT \* CSR@ICC.COM / 888-ASK-4-ICC (275-4422) \* 2100 E. Valencia Dr, Suite D, Fullerton, CA 92831 \* www.icc.com