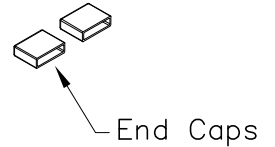
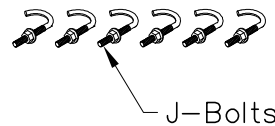
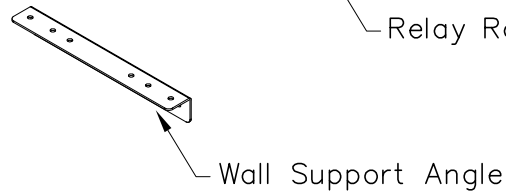
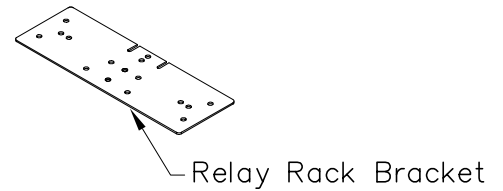
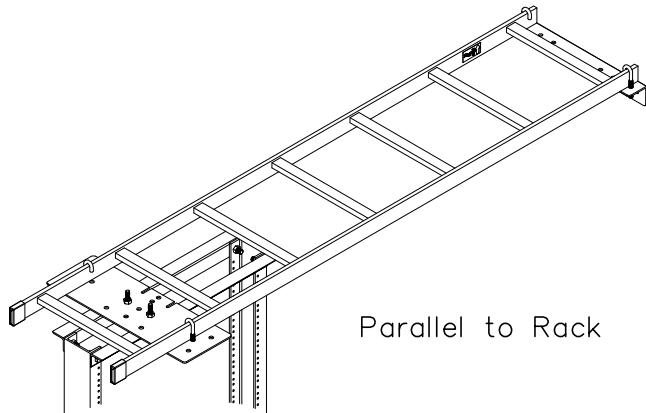
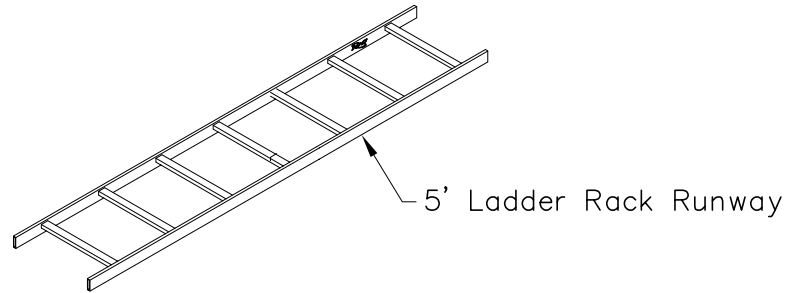
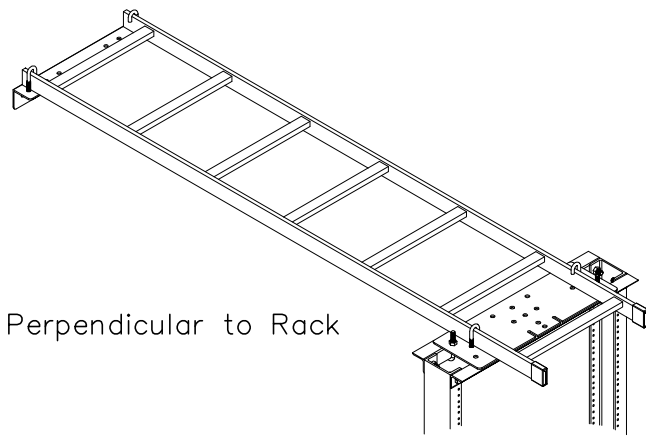


5' Ladder Rack Runway Bracket Kit

PRODUCT SPECIFICATION

Package includes:

- A. 5' Ladder Rack Runway, 1 pc
- B. Wall Support Angle, 1 pc
- C. Relay Rack Bracket, 1 pc
- D. End Cap. 2 pcs
- E. J-Bolts, 6 pcs



Features and Benefits:

- Designed with durable steel construction, black textured powder coated, providing strength and stability for long lasting use
- Designed to support horizontal cable running overhead, providing an effective means to evenly distribute cable loads in the telecom closet and open architectural areas
- Easy to configure modularized system, designed to be compatible with all common cable management systems, for routing cables horizontally, vertically, or around obstacles
- Used with all ICCMS distribution and cable management racks
- Can be easily shipped via UPS, FedEx, DHL, etc.

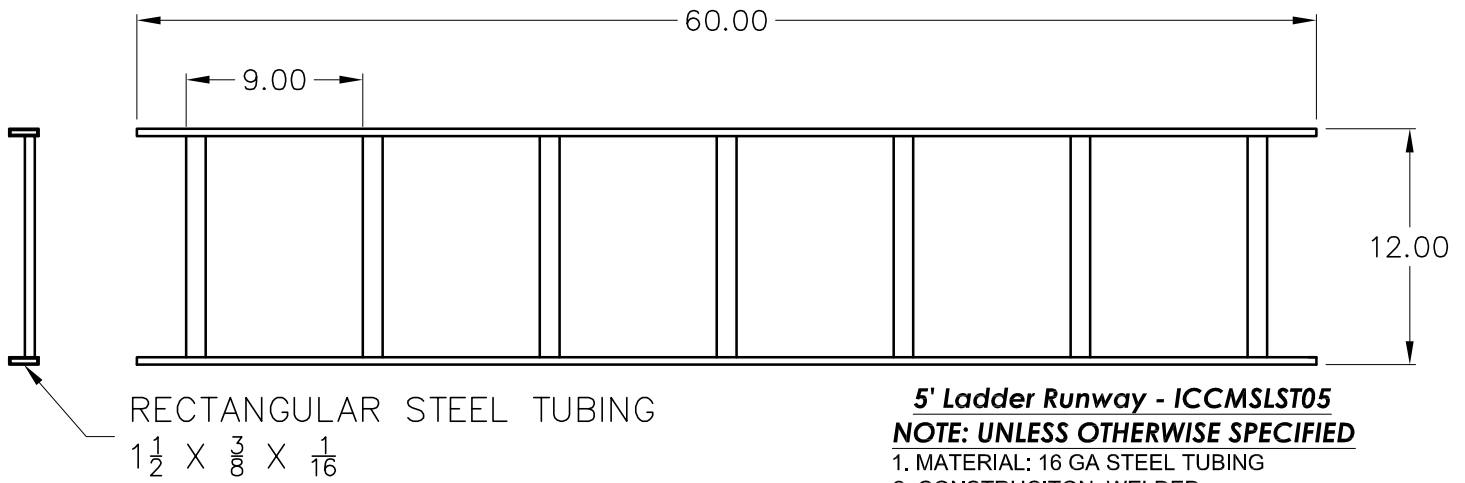
KIT, RACK TO WALL RUNWAY, 5FT

ITEM NO. ICCMSLRW05
 DWG NO. PSCMSLRW05

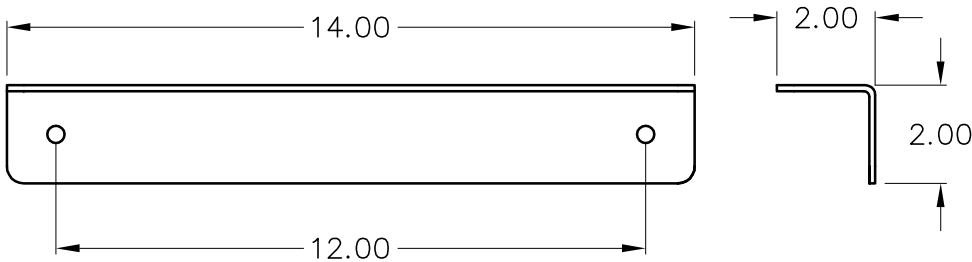
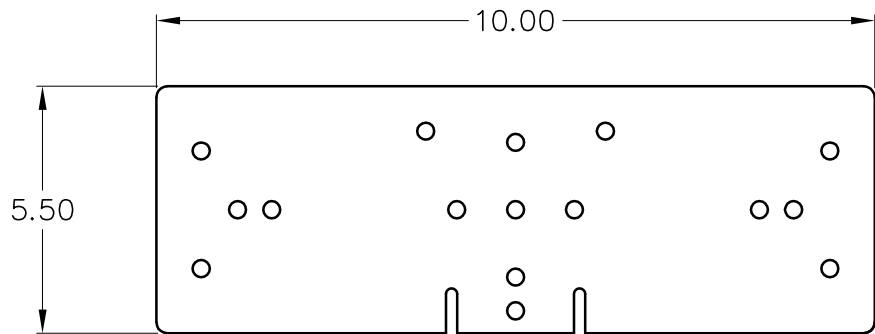
REV. A
 PAGE NO. 1



CUSTOMER CARE / TECHNICAL SUPPORT * CSR@ICC.COM / 888-ASK-4-ICC (275-4422) * 14700 Alondra Blvd., La Mirada, CA 90638 * www.icc.com

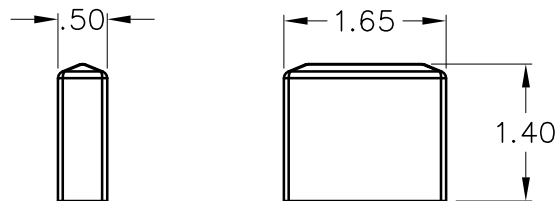


Relay Rack Bracket - ICCMSLRBK
NOTE: UNLESS OTHERWISE SPECIFIED
 1. MATERIAL: 11 GA CRS
 2. SURFACE FINISH: BLACK POWDER COAT



Wall Support Angle - ICCMSLAWSK
NOTE: UNLESS OTHERWISE SPECIFIED
 1. MATERIAL: 11 GA CRS
 2. SURFACE FINISH: BLACK POWDER COAT

End Cap - ICCMSLPECK
NOTE: UNLESS OTHERWISE SPECIFIED
 1. MATERIAL: SOFT PLASTIC
 2. COLOR: BLACK



KIT, RACK TO WALL RUNWAY, 5FT

ITEM NO.	ICMSLRW05	REV.	D	
DWG NO.	PSCMSLRW05	PAGE NO.	2	

CUSTOMER CARE / TECHNICAL SUPPORT * CSR@ICC.COM / 888-ASK-4-ICC (275-4422) * 14700 Alondra Blvd., La Mirada, CA 90638 * www.icc.com