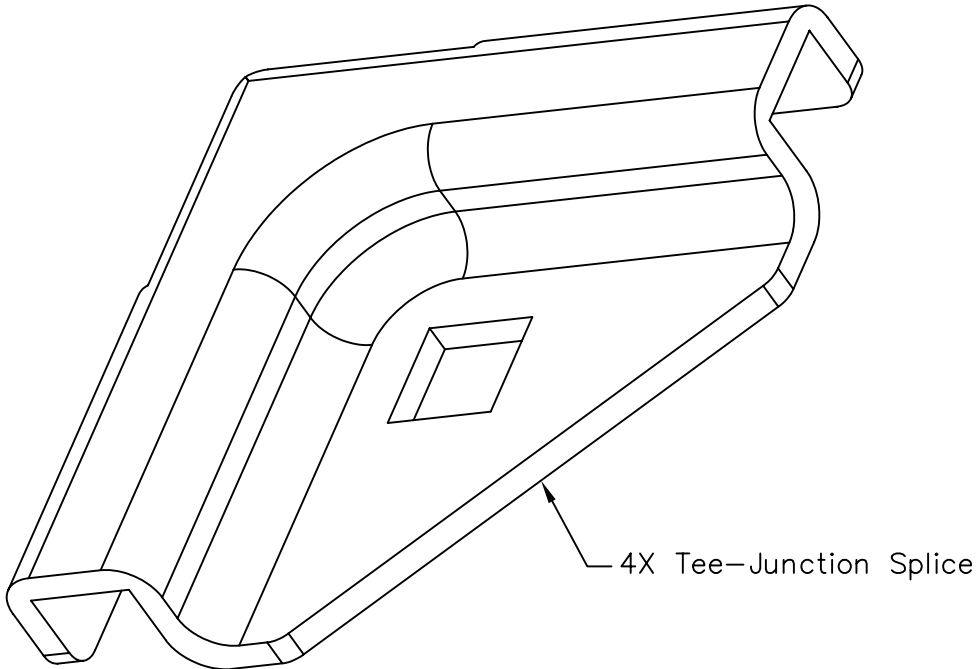


Tee-Junction Splice Runway Kit

PRODUCT SPECIFICATION


Package includes:

- A. Tee-Junction Splice, 4 pcs
- B. 3/8-16 x 1 1/2" Bolt, 2 pcs
- C. 3/8-16 Nut, 2 pcs
- D. 3/8 Lock Washer, 2 pcs

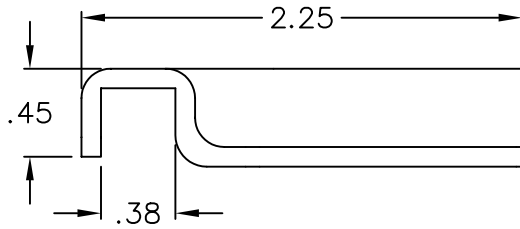
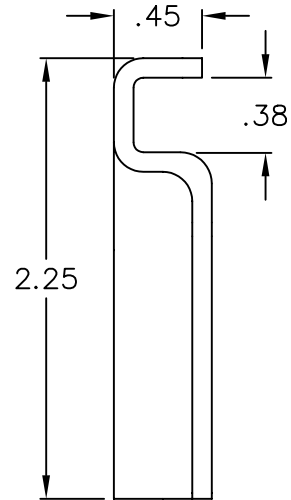
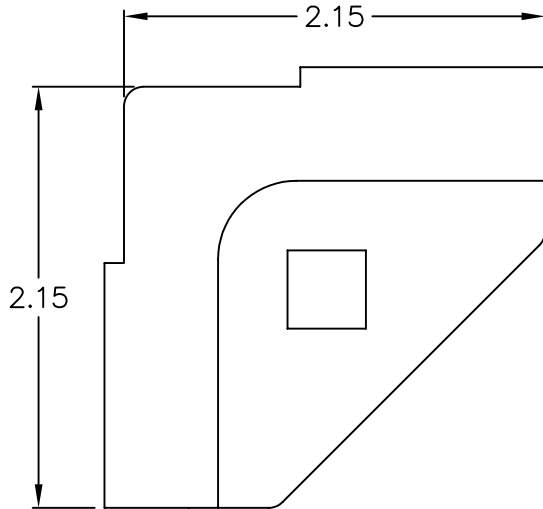


Features and Benefits:

- Designed with durable steel construction, black textured powder coated, providing strength and stability for long lasting use
- Designed to fasten runway sections together in a tee intersection
- Used with ICCMSLST ladder rack runways


RUNWAY KIT, TEE-JUNCTION SPLICE, 2 EA			
ITEM NO.	ICCMSLTJSK		REV. B
DWG NO.	PSCMSLTJSK		PAGE NO. 1

CUSTOMER CARE / TECHNICAL SUPPORT * CSR@ICC.COM / 888-ASK-4-ICC (275-4422) * 14700 Alondra Blvd., La Mirada, CA 90638 * www.icc.com



NOTE: UNLESS OTHERWISE SPECIFIED

1. MATERIAL: 12 GA CRS
2. SURFACE FINISH: BLACK TEXTURED POWDER COAT

RUNWAY KIT, TEE-JUNCTION SPLICE, 2 EA		 PremiumProducts ProvenPerformance CompetitivePrices
ITEM NO.	ICCMSLTJSK	
DWG NO.	PSCMSLTJSK	PAGE NO. 2

CUSTOMER CARE / TECHNICAL SUPPORT * CSR@ICC.COM / 888-ASK-4-ICC (275-4422) * 14700 Alondra Blvd., La Mirada, CA 90638 * www.icc.com