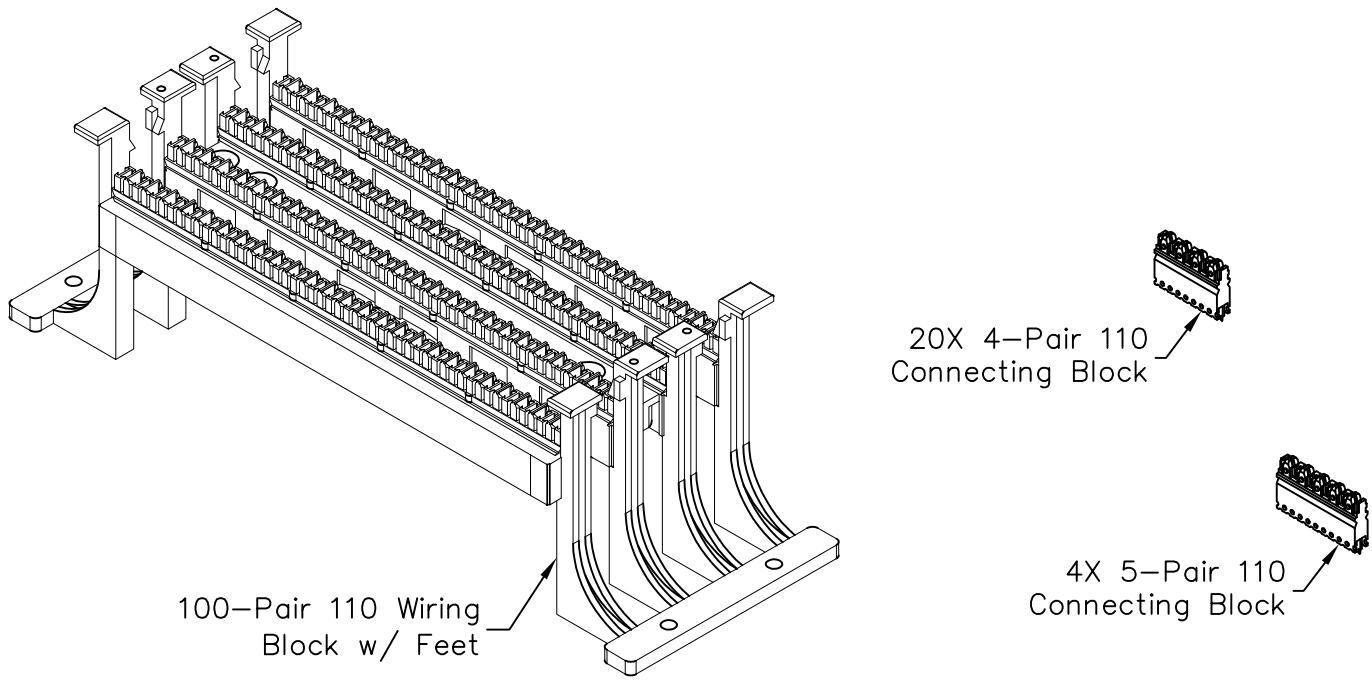


# 100-Pair 110 Wiring Block With Feet Kit

## PRODUCT SPECIFICATION

### Package includes:

- A. 100-Pair 110 Wiring Block w/ Feet, 1 pc
- B. 4-Pair 110 Connecting Block, 20 pcs
- C. 5-Pair 110 Connecting Block, 4 pcs
- D. Label Holder, 2 pcs
- E. Designation Label, 2 pcs



### Features and Benefits:

- High density wall mounted cross connect system designed for voice and data applications
- Exceeds ANSI/TIA-568-C requirements for permanent, channel link and component performances
- Easy system administration with designation labels and label holders
- Used with IC110 cable management blocks, ICACSPDT00 and ICACSPDT05 110 punch down tools
- UL 1863 compliant

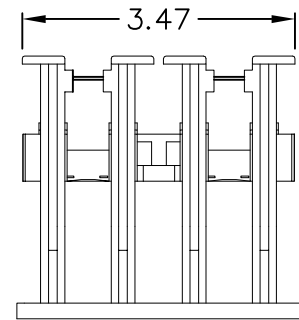
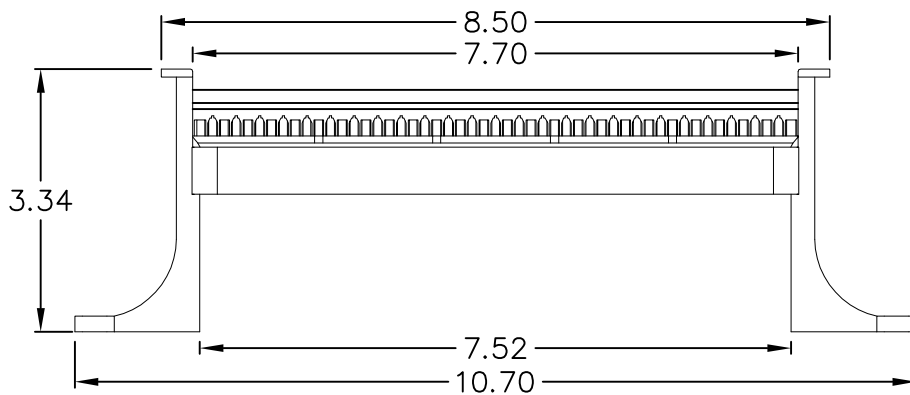
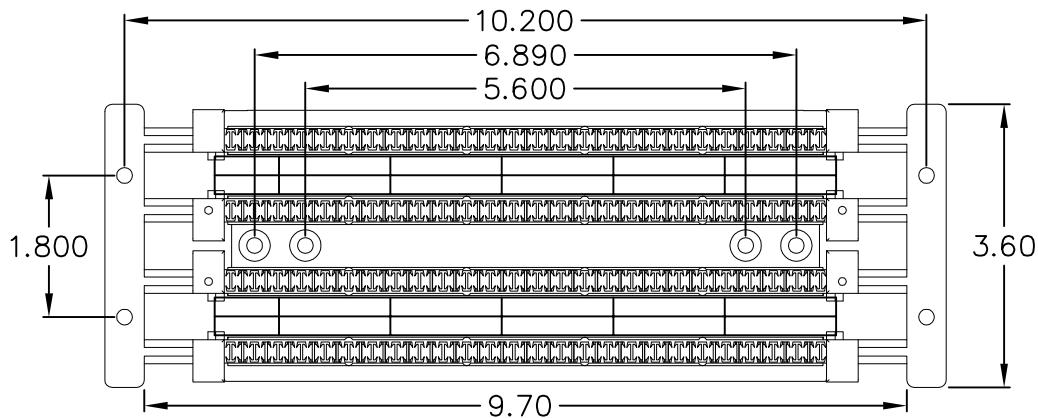
### 110 WIRING BLOCK W/ FEET KIT, 100-PAIR

ITEM NO.	IC110W1004
DWG NO.	PS110W1004

REV.	A
PAGE NO.	1

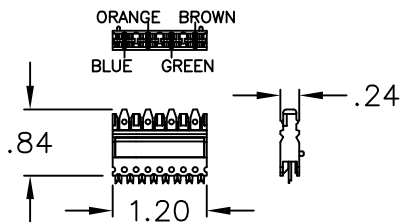


CUSTOMER CARE / TECHNICAL SUPPORT \* CSR@ICC.COM / 888-ASK-4-ICC (275-4422) \* 2100 E. Valencia Dr, Suite D, Fullerton, CA 92831 \* www.icc.com



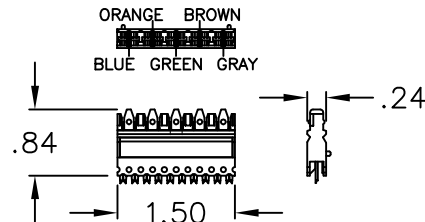
**100-PAIR 110 WIRING BLOCK W/ FEET**

- 1. MATERIAL: PC, UL 94V-0
- 2. COLOR: IVORY



**4-PAIR 110 CONNECTING BLOCK**

- 1. MATERIAL:
  - A. CONTACT: COPPER ALLOY, 100 MICRO INCHES BRIGHT SOLDER OVER 100 MICRO INCHES OF NICKEL UNDERPLATE
  - B. HOUSING: ABS, UL 94V-0



**5-PAIR 110 CONNECTING BLOCK**

- 1. MATERIAL:
  - A. CONTACT: COPPER ALLOY, 100 MICRO INCHES BRIGHT SOLDER OVER 100 MICRO INCHES OF NICKEL UNDERPLATE
  - B. HOUSING: ABS, UL 94V-0

CAT 5e CONNECTING HARDWARE REQUIREMENTS										
FREQUENCY (MHz)	1.0	4.0	8.0	10.0	16.0	20.0	25.0	31.25	62.5	100
NEXT LOSS (db)	65.0	65.0	64.9	63.0	58.9	57.0	55.0	53.1	47.1	43.0
FEXT LOSS (db)	75.1	63.1	57.0	55.1	51.0	49.1	47.1	45.2	39.2	35.1
RETURN LOSS (db)	35.0	35.0	35.0	35.0	35.0	34.0	32.0	30.1	24.1	20.0
INSERTION LOSS(db)	0.10	0.10	0.10	0.10	0.20	0.20	0.20	0.20	0.30	0.40

UL US FILE NO. 125268

**110 WIRING BLOCK W/ FEET KIT, 100-PAIR**

ITEM NO. IC110W1004  
 DWG NO. PS110W1004

REV. A  
 PAGE NO. 2



CUSTOMER CARE / TECHNICAL SUPPORT \* CSR@ICC.COM / 888-ASK-4-ICC (275-4422) \* 2100 E. Valencia Dr, Suite D, Fullerton, CA 92831 \* www.icc.com