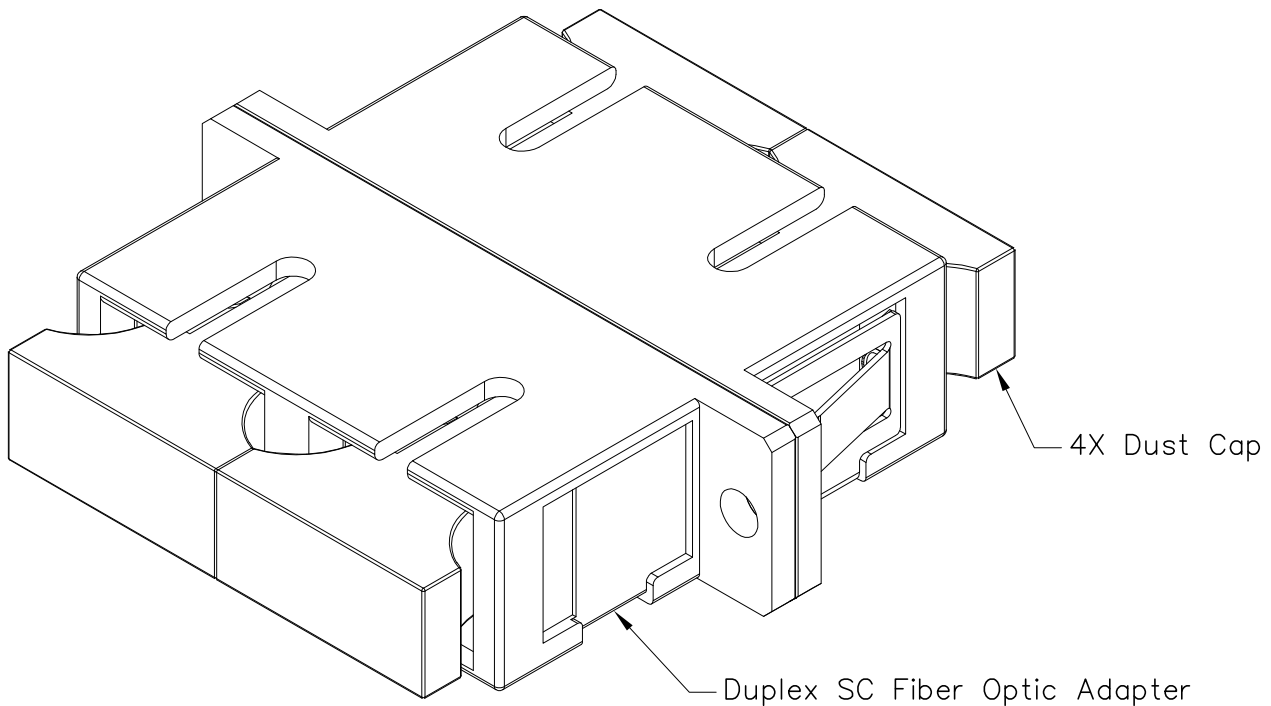


# Duplex SC Fiber Optic Adapter (Ceramic Sleeve)

## PRODUCT SPECIFICATION

### Package includes:

- A. Duplex SC Fiber Optic Adapter, 1 pc
- B. Dust Cap, 4 pcs



### Features and Benefits:

- Viable solution for high speed data transmission and broadband internet
- Used to join duplex singlemode or multimode fiber optic jumpers

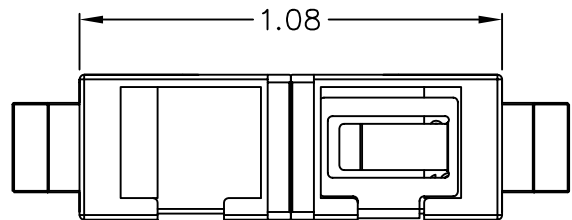
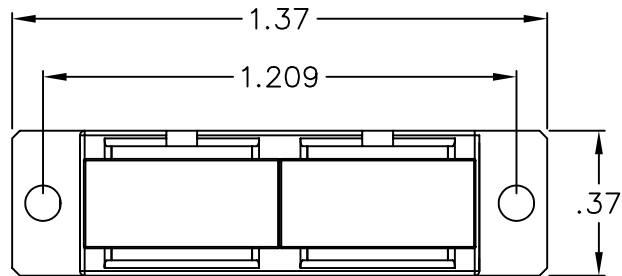
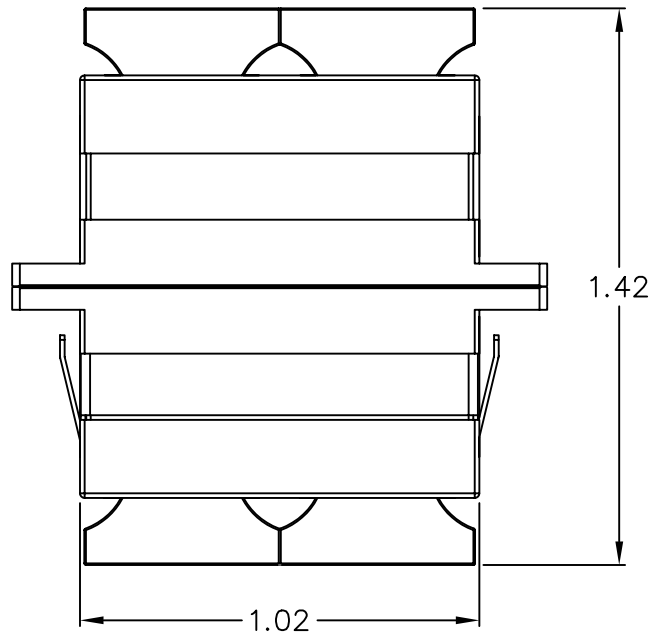
### ADAPTER, DUPLEX SC, CERAMIC

ITEM NO. ICFOA8SM02  
DWG NO. PSFOA8SM02

REV. A  
PAGE NO. 1



CUSTOMER CARE / TECHNICAL SUPPORT \* CSR@ICC.COM / 888-ASK-4-ICC (275-4422) \* 14700 Alondra Blvd., La Mirada, CA 90638 \* www.icc.com




**NOTE: UNLESS OTHERWISE SPECIFIED**

1. MATERIAL:

- A. ADAPTER BODY: PLASTIC
- B. SLEEVE: ZIRCONIA
- C. HOLDER: STAINLESS STEEL
- D. DUST CAP: PLASTIC

2. COLOR:

- A. ADAPTER BODY: BLUE
- B. DUST CAP: YELLOW

<b>ADAPTER, DUPLEX SC, CERAMIC</b>		 <i>PremiumProducts</i> <i>ProvenPerformance</i> <i>CompetitivePrices</i>
ITEM NO.	ICFOA8SM02	
DWG NO.	PSFOA8SM02	PAGE NO. 2

CUSTOMER CARE / TECHNICAL SUPPORT \* CSR@ICC.COM / 888-ASK-4-ICC (275-4422) \* 14700 Alondra Blvd., La Mirada, CA 90638 \* www.icc.com