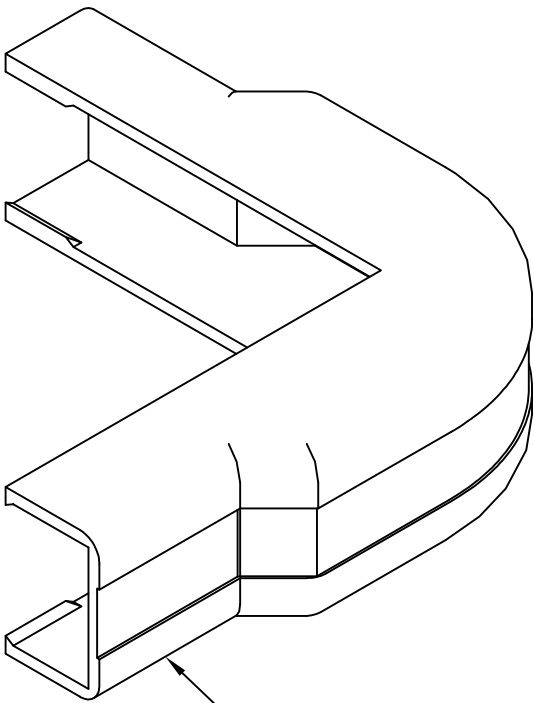


# 3/4" Outside Corner Cover

## PRODUCT SPECIFICATION

**Package includes:**


A. 3/4" Outside Corner Cover, 10 pcs



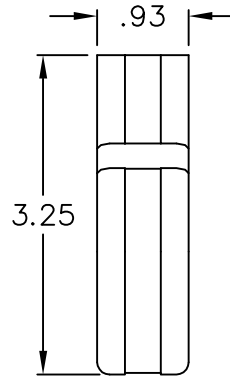
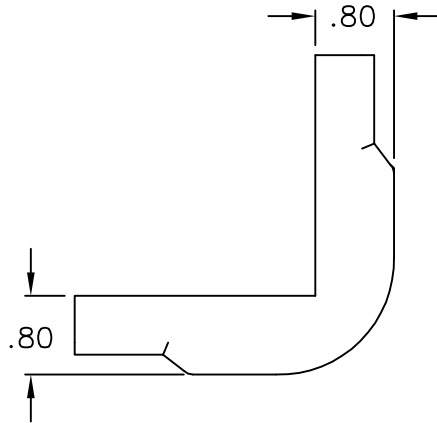
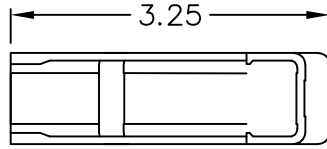
10X 3/4" Outside Corner Cover

**Features and Benefits:**

- Designed to maintain cable bend radius
- Accommodates ICRW22R, ICRWR118, and ICRWR11S 3/4"W x 1/2"H raceway sections
- Available in ivory and white


<b>OUTSIDE CORNER COVER, 3/4", 10 PK</b>			
ITEM NO.	ICRW110CXX		REV. A
DWG NO.	PSRW110C00		PAGE NO. 1

CUSTOMER CARE / TECHNICAL SUPPORT \* CSR@ICC.COM / 888-ASK-4-ICC (275-4422) \* 2100 E. Valencia Dr, Suite D, Fullerton, CA 92831 \* www.icc.com



**NOTE: UNLESS OTHERWISE SPECIFIED**

- 1. MATERIAL: HIGH IMPACT STYRENE
- 2. COLOR: XX: IV-IVORY & WH-WHITE

<b>OUTSIDE CORNER COVER, 3/4", 10 PK</b>			
ITEM NO.	ICRW110CXX		REV. A
DWG NO.	PSRW110C00		PAGE NO. 2

CUSTOMER CARE / TECHNICAL SUPPORT \* CSR@ICC.COM / 888-ASK-4-ICC (275-4422) \* 2100 E. Valencia Dr, Suite D, Fullerton, CA 92831 \* www.icc.com