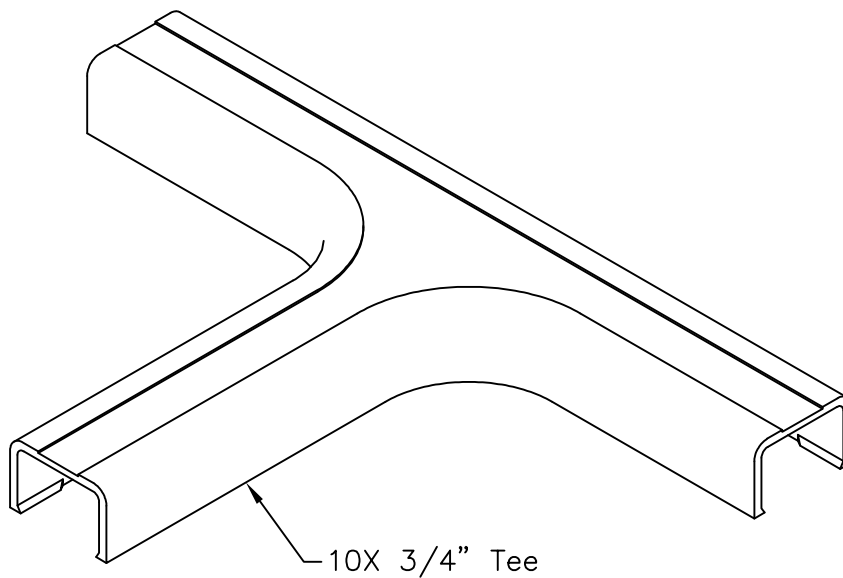


# 3/4" Tee

## PRODUCT SPECIFICATION

### Package includes:

A. 3/4" Tee, 10 pcs



### Features and Benefits:

- Designed to attach three raceway sections while maintaining bend radius
- Accommodates ICRW22R, ICRWR118, and ICRWR11S 3/4"W x 1/2"H raceway sections
- Available in ivory and white

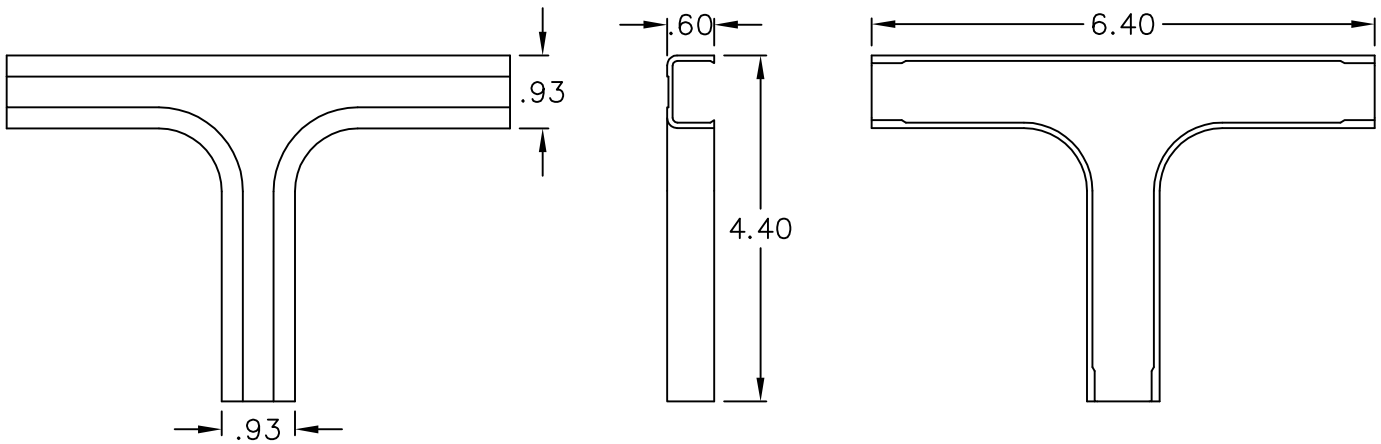
### TEE, 3/4", 10 PK

ITEM NO.	ICRW11TOXX
DWG NO.	PSRW11T000

REV.	A
PAGE NO.	1



CUSTOMER CARE / TECHNICAL SUPPORT \* CSR@ICC.COM / 888-ASK-4-ICC (275-4422) \* 2100 E. Valencia Dr, Suite D, Fullerton, CA 92831 \* www.icc.com



**NOTE: UNLESS OTHERWISE SPECIFIED**

1. MATERIAL: HIGH IMPACT STYRENE
2. COLOR: XX: IV-IVORY & WH-WHITE

**TEE, 3/4", 10 PK**

ITEM NO. ICRW11TOXX  
 DWG NO. PSRW11T000

REV. A  
 PAGE NO. 2



CUSTOMER CARE / TECHNICAL SUPPORT \* CSR@ICC.COM / 888-ASK-4-ICC (275-4422) \* 2100 E. Valencia Dr, Suite D, Fullerton, CA 92831 \* www.icc.com