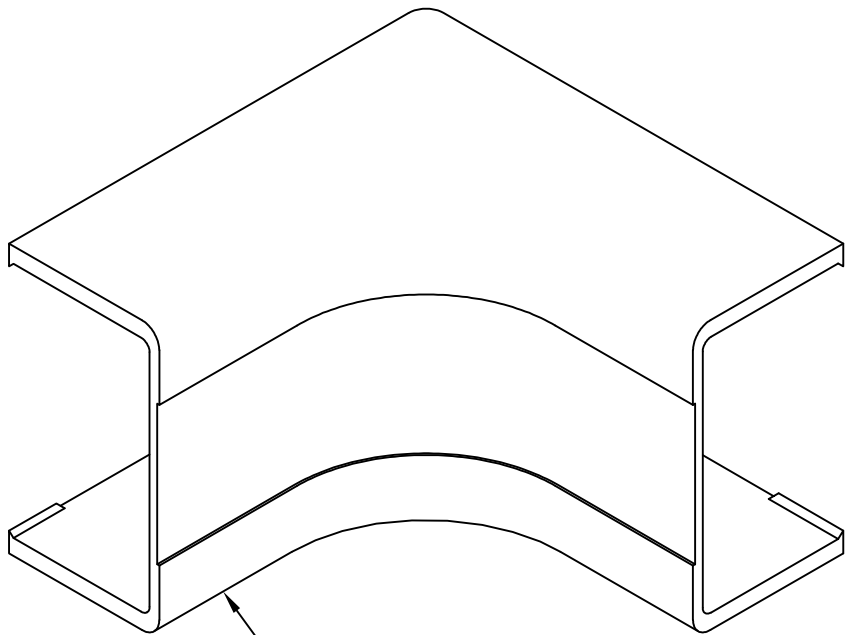


1 3/4" Inside Corner Cover

PRODUCT SPECIFICATION

Package includes:


A. 1 3/4" Inside Corner Cover, 10 pcs



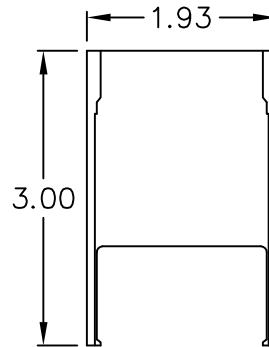
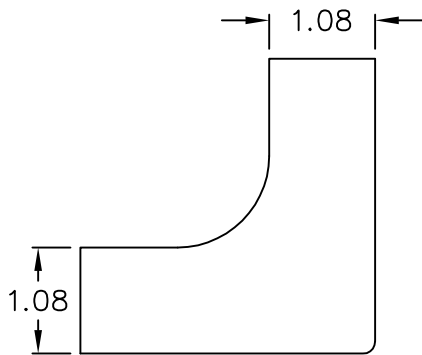
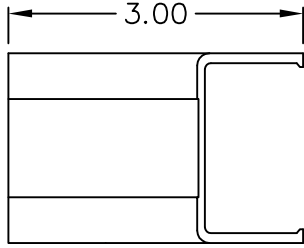
10X 1 3/4" Inside Corner Cover

Features and Benefits:

- Designed to maintain cable bend radius
- Accommodates ICRWR13S, ICRW44R, and ICRWR138 1 3/4"W x 1"H raceway sections
- Available in ivory and white


INSIDE CORNER COVER, 1 3/4", 10 PK		 <i>PremiumProducts</i> <i>ProvenPerformance</i> <i>CompetitivePrices</i>	
ITEM NO.	ICRW13ICXX		REV. A
DWG NO.	PSRW13IC00		PAGE NO. 1

CUSTOMER CARE / TECHNICAL SUPPORT * CSR@ICC.COM / 888-ASK-4-ICC (275-4422) * 2100 E. Valencia Dr, Suite D, Fullerton, CA 92831 * www.icc.com



NOTE: UNLESS OTHERWISE SPECIFIED

- 1. MATERIAL: HIGH IMPACT STYRENE
- 2. COLOR: XX: IV-IVORY & WH-WHITE

INSIDE CORNER COVER, 1 3/4", 10 PK			
ITEM NO.	ICRW13ICXX		REV. A
DWG NO.	PSRW13IC00		PAGE NO. 2

CUSTOMER CARE / TECHNICAL SUPPORT * CSR@ICC.COM / 888-ASK-4-ICC (275-4422) * 2100 E. Valencia Dr, Suite D, Fullerton, CA 92831 * www.icc.com