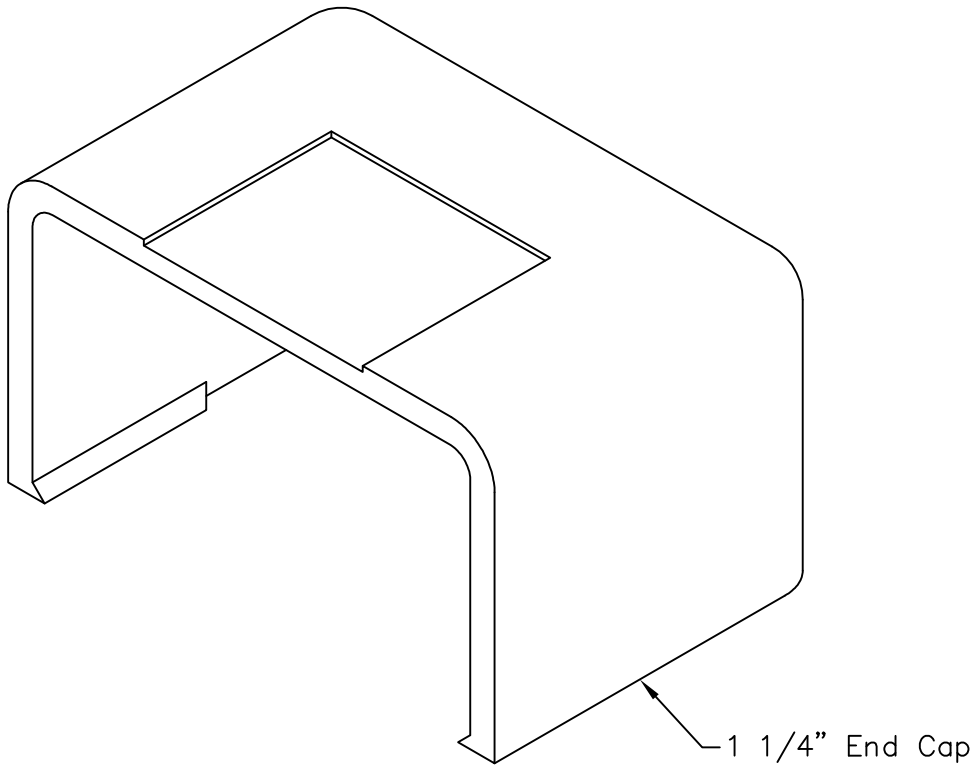


1 1/4" End Cap

PRODUCT SPECIFICATION

Package includes:

A. 1 1/4" End Cap, 1 pc



Features and Benefits:

- Designed to protect raceway ends.
- Accommodates ICRWR12SS and ICRWR128 1 1/4"W x 3/4"H raceway sections.
- Available in ivory and white.

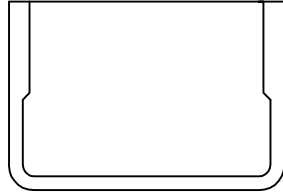
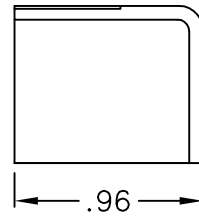
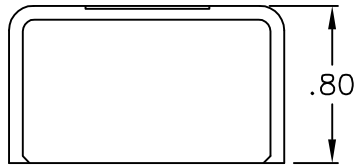
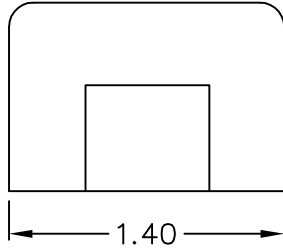
END CAP, 1 1/4"

ITEM NO.	ICRW33ECXX
DWG NO.	ICRW33EC00

REV.	A
PAGE NO.	1



CUSTOMER CARE / TECHNICAL SUPPORT * CSR@ICC.COM / 888-ASK-4-ICC (275-4422) * 14700 Alondra Blvd., La Mirada, CA 90638 * www.icc.com



NOTE: UNLESS OTHERWISE SPECIFIED

1. MATERIAL: HIGH IMPACT STYRENE
2. COLOR: XX: IV-IVORY & WH-WHITE

END CAP, 1 1/4"

ITEM NO.	ICRW33ECXX
DWG NO.	ICRW33EC00

REV.	A
PAGE NO.	2



CUSTOMER CARE / TECHNICAL SUPPORT * CSR@ICC.COM / 888-ASK-4-ICC (275-4422) * 14700 Alondra Blvd., La Mirada, CA 90638 * www.icc.com