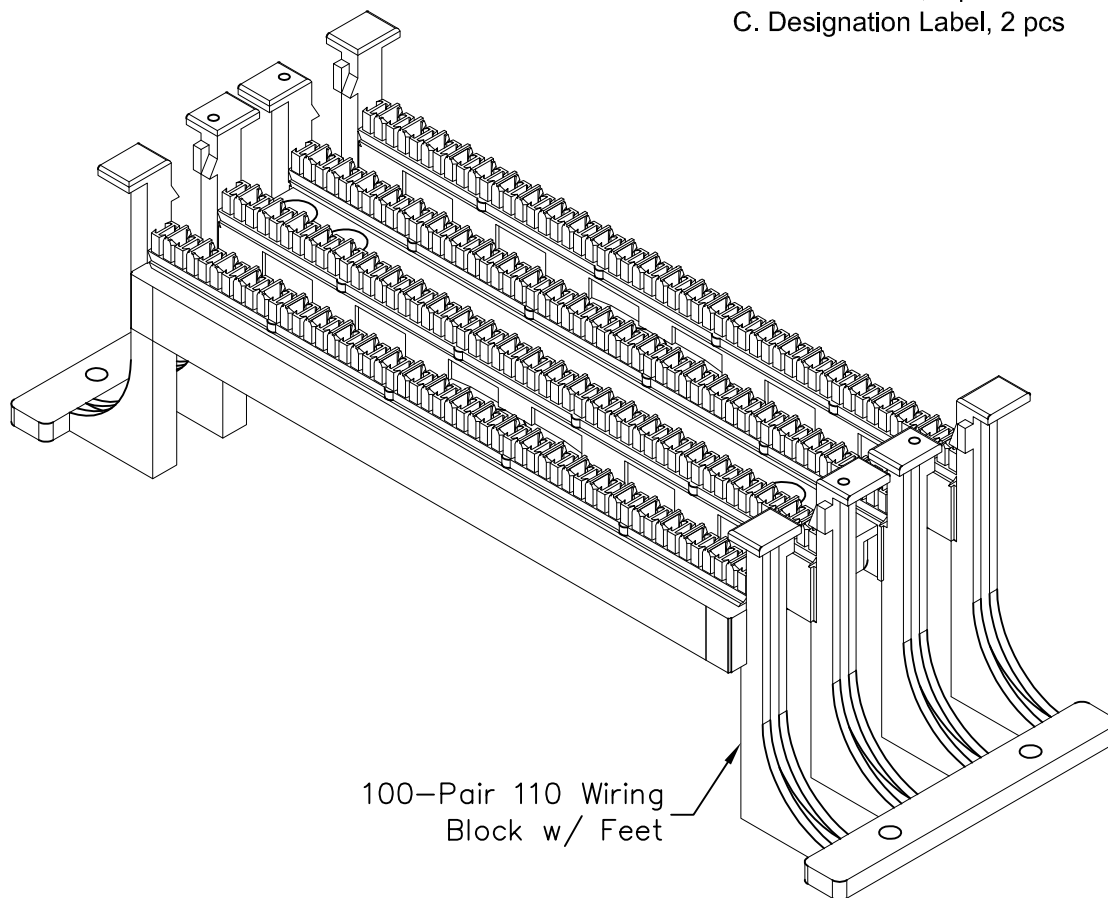


# 100-Pair 110 Wiring Block With Feet

## PRODUCT SPECIFICATION

### Package includes:

- A. 100-Pair 110 Wiring Block w/ Feet, 1 pc
- B. Label Holder, 2 pcs
- C. Designation Label, 2 pcs



### Features and Benefits:

- High density wall mounted cross connect system designed for voice and data applications
- Easy system administration with designation labels and label holders
- Used with IC110CB connecting blocks, IC110 cable management blocks, ICACSPDT00 and ICACSPDT05 110 punch down tools
- ANSI/TIA-568-C and UL 1863 compliant

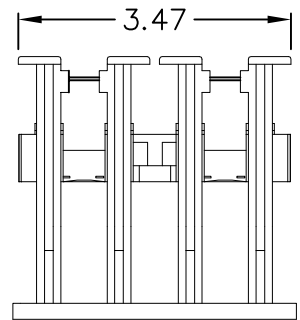
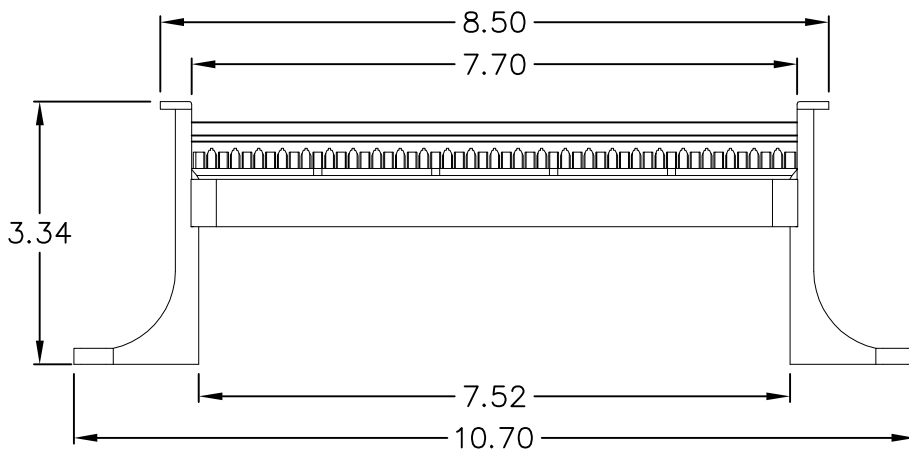
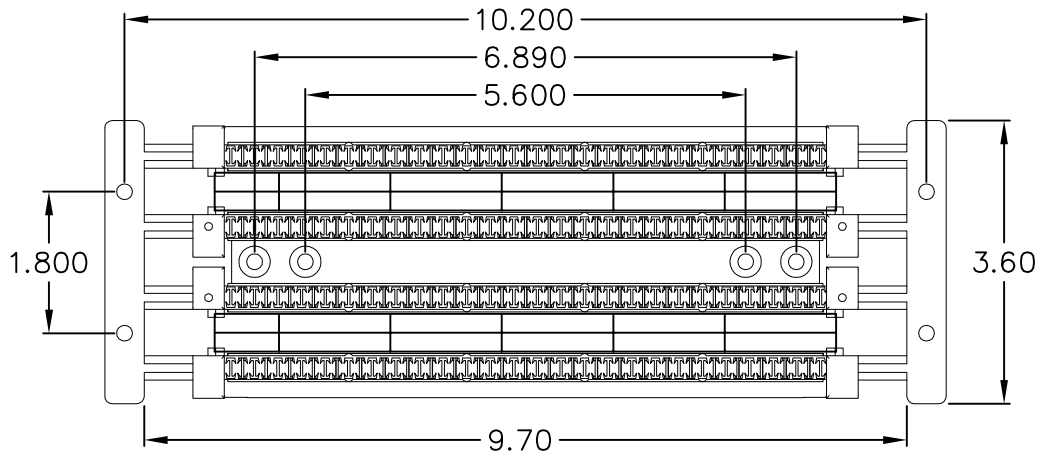
### 110 WIRING BLOCK W/ FEET, 100-PAIR

ITEM NO.	IC110WF100
DWG NO.	PS110WF100

REV.	A
PAGE NO.	1



CUSTOMER CARE / TECHNICAL SUPPORT \* CSR@ICC.COM / 888-ASK-4-ICC (275-4422) \* 2100 E. Valencia Dr, Suite D, Fullerton, CA 92831 \* www.icc.com



**NOTE: UNLESS OTHERWISE SPECIFIED**

- 1. MATERIAL: PC, UL 94V-0
- 2. COLOR: IVORY

UL US FILE NO. 125268

<b>110 WIRING BLOCK W/ FEET, 100-PAIR</b>		
ITEM NO.	IC110WF100	
DWG NO.	PS110WF100	PAGE NO. 2

CUSTOMER CARE / TECHNICAL SUPPORT \* CSR@ICC.COM / 888-ASK-4-ICC (275-4422) \* 2100 E. Valencia Dr, Suite D, Fullerton, CA 92831 \* www.icc.com