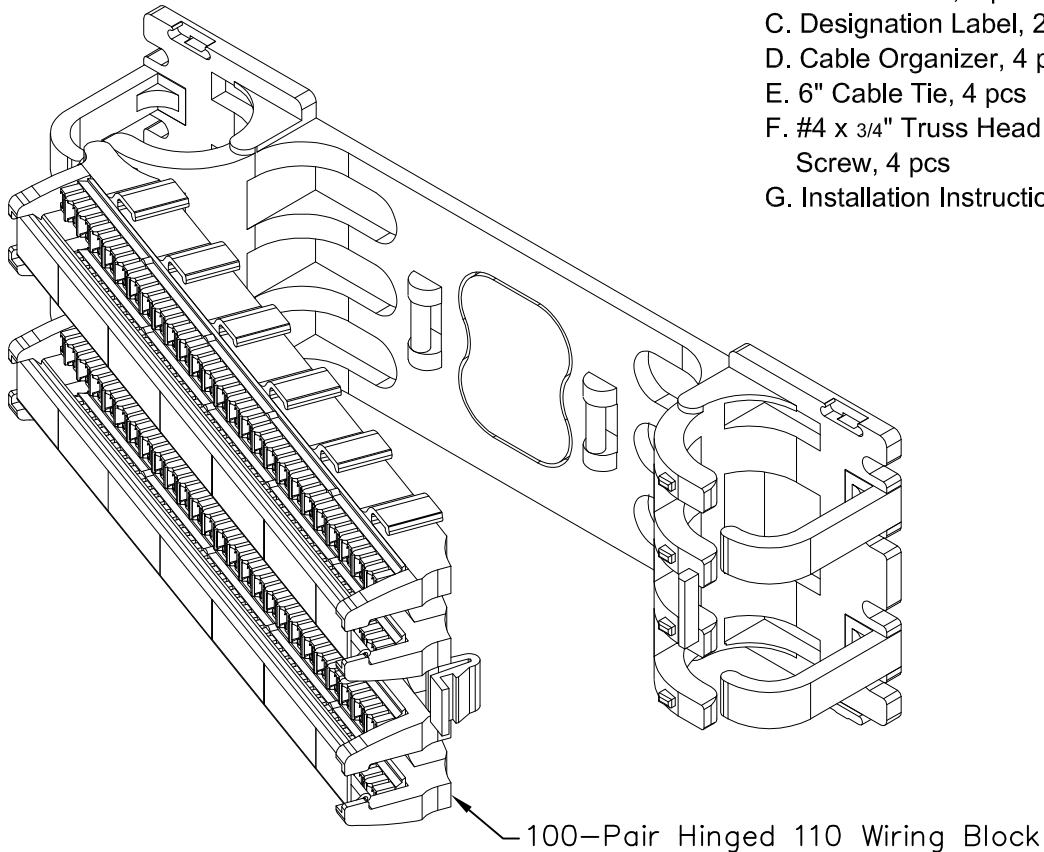


# 100-Pair Hinged 110 Wiring Block

## PRODUCT SPECIFICATION

### Package includes:

- A. 100-Pair Hinged 110 Wiring Block, 1 pc
- B. Label Holder, 2 pcs
- C. Designation Label, 2 pcs
- D. Cable Organizer, 4 pcs
- E. 6" Cable Tie, 4 pcs
- F. #4 x 3/4" Truss Head Tapping Screw, 4 pcs
- G. Installation Instructions, 1 sheet



### Features and Benefits:

- High density wall mounted cross connect system designed for voice and data applications
- Hinged design allows block to swing open for easy access behind the block without removing the block from the wall
- Easy system administration with designation labels and label holders
- Used with IC110CB connecting blocks, IC110 cable management blocks, ICACSPDT00 and ICACSPDT05 110 punch down tools
- Installation instructions #MSR-0347 included
- ANSI/TIA-568-C and UL 1863 compliant

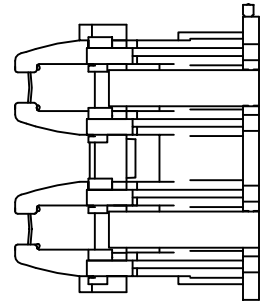
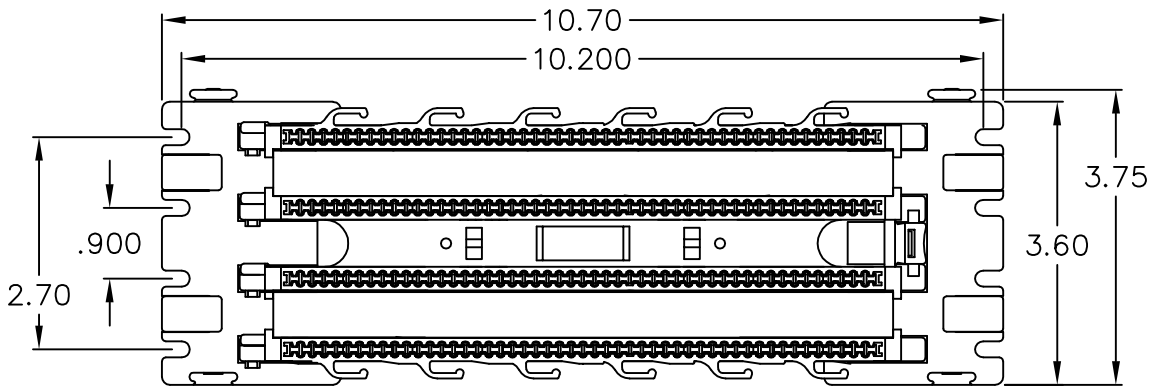
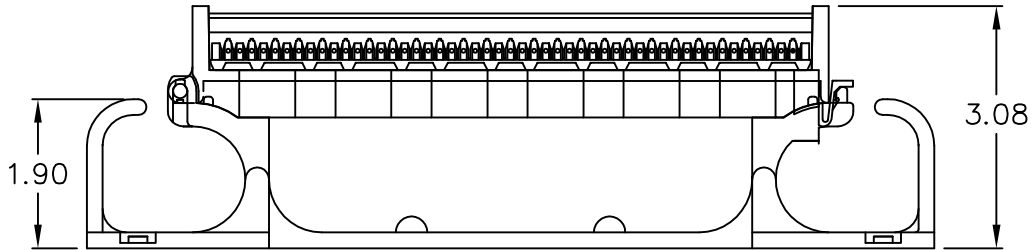
### 110 WIRING BLOCK, HINGED, 100-PAIR

ITEM NO. IC110WH100  
DWG NO. PS110WH100

REV. A  
PAGE NO. 1



CUSTOMER CARE / TECHNICAL SUPPORT \* CSR@ICC.COM / 888-ASK-4-ICC (275-4422) \* 2100 E. Valencia Dr, Suite D, Fullerton, CA 92831 \* www.icc.com



**NOTE: UNLESS OTHERWISE SPECIFIED**

1. MATERIAL: PC, UL 94V-0
2. COLOR: IVORY

UL US FILE NO. 125268

**1 10 WIRING BLOCK, HINGED, 100-PAIR**

ITEM NO.	IC110WH100
DWG NO.	PS110WH100

REV.	A
PAGE NO.	2



CUSTOMER CARE / TECHNICAL SUPPORT \* CSR@ICC.COM / 888-ASK-4-ICC (275-4422) \* 2100 E. Valencia Dr, Suite D, Fullerton, CA 92831 \* www.icc.com