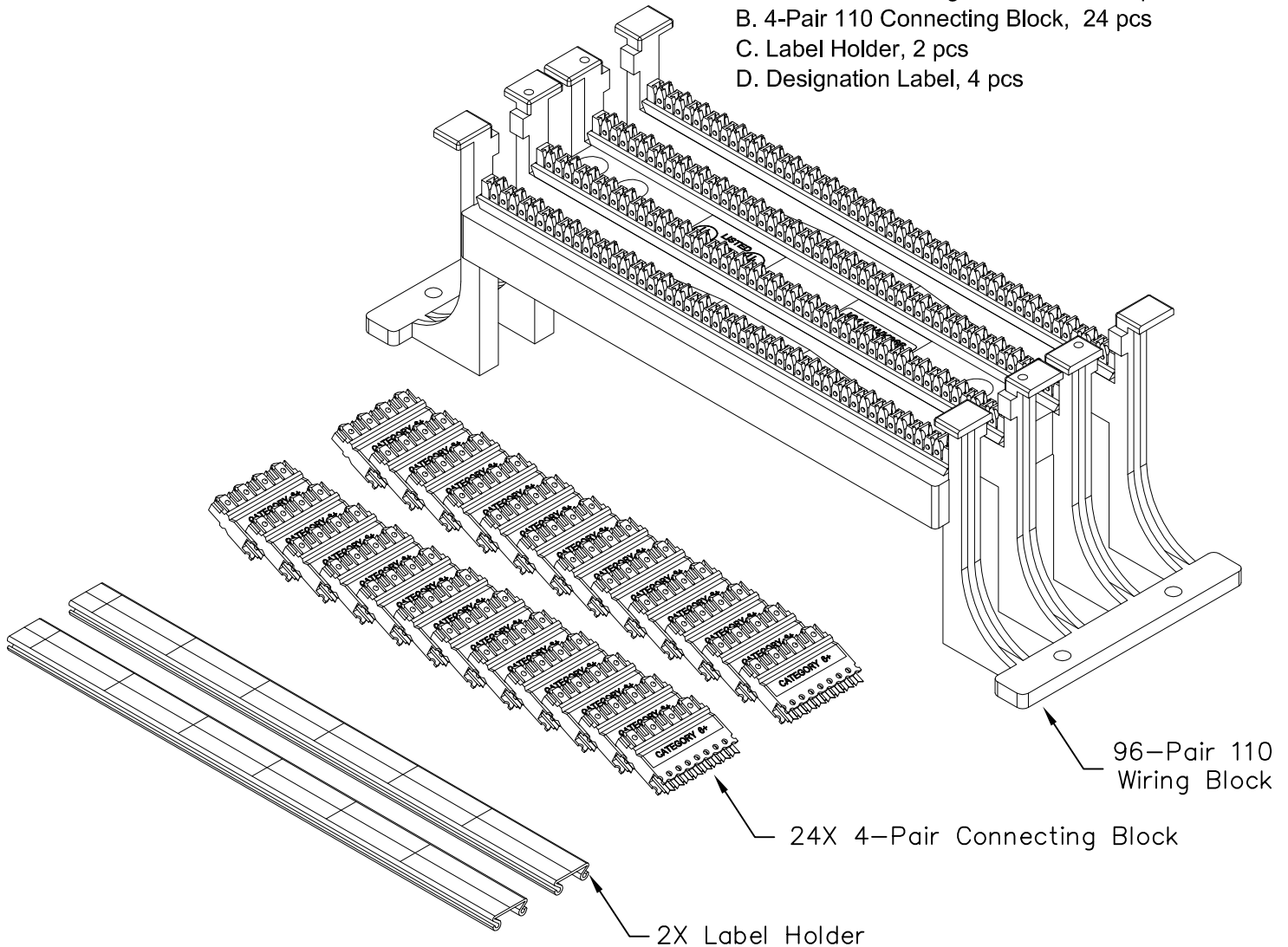


# 96-Pair 110 Wiring Block w/Feet Kit CAT 6

## PRODUCT SPECIFICATION

### Package includes:

- A. 96-Pair 110 Wiring Block w/ Feet, 1 pc
- B. 4-Pair 110 Connecting Block, 24 pcs
- C. Label Holder, 2 pcs
- D. Designation Label, 4 pcs



### Features and Benefits:

- High density wall mounted cross connect system designed for voice and data applications.
- Performance exceeds Category 6 connecting hardware requirements.
- Easy system administration with designation labels and label holders.
- Compatible with ICC's ICACSPDT4P 4-pair punch down tool and IC110TC450 termination caps.
- ANSI/TIA-568-C and UL 1863 compliant

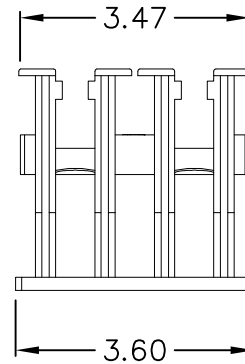
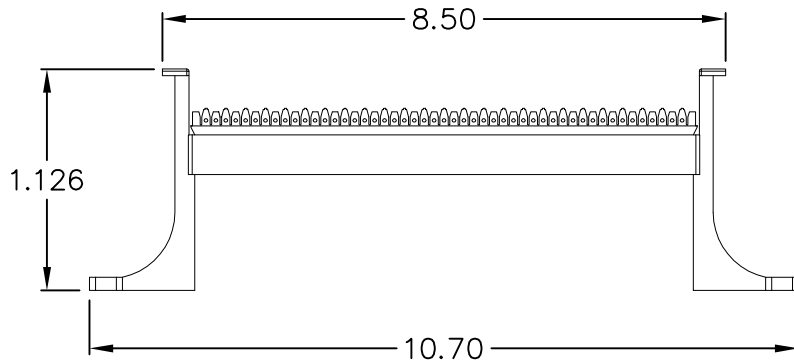
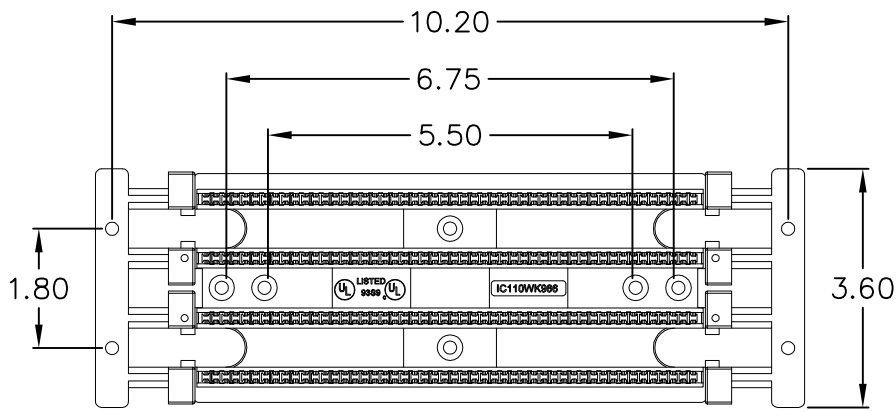
### 110 WIRING BLOCK W/FEET, 96-PAIR, CAT 6

ITEM NO.	IC110WK966
DWG NO.	PS110WK966

REV.	B
PAGE NO.	1

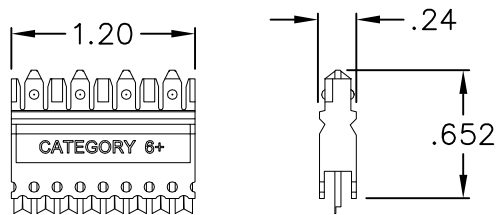
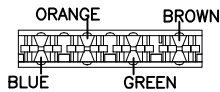


CUSTOMER CARE / TECHNICAL SUPPORT \* CSR@ICC.COM / 888-ASK-4-ICC (275-4422) \* 2100 E. Valencia Dr, Suite D, Fullerton, CA 92831 \* www.icc.com



**100-PAIR 110 WIRING BLOCK W/ FEET**

- 1. MATERIAL: PC, UL 94V-0
- 2. COLOR: IVORY
- 3. WIRE GAUGE: 22-24 AWG SOLID WIRE



CATEGORY 6 CONNECTING HARDWARE REQUIREMENTS												
FREQUENCY (MHz)	1.0	4.0	8.0	10.0	16.0	20.0	25.0	31.25	62.5	100	200	250
NEXT LOSS (db)	75.0	75.0	75.0	74.0	69.9	68.0	66.0	64.1	58.1	54.0	48.0	46.0
FEXT LOSS (db)	75.0	71.1	65.0	63.1	59.0	57.1	55.1	53.2	47.2	43.1	37.1	35.1
RETURN LOSS (db)	30.0	30.0	30.0	30.0	30.0	30.0	30.0	30.0	28.1	24.0	18.0	16.0
INSERTION LOSS(db)	0.10	0.10	0.10	0.10	0.10	0.10	0.10	0.11	0.16	0.20	0.28	0.32

**4-PAIR 110 CONNECTING BLOCK**

- 1. MATERIAL:
  - A. CONTACT: COPPER ALLOY, 100 MICRO INCHES BRIGHT SOLDER OVER 100 MICRO INCHES OF NICKEL UNDERPLATE
  - B. HOUSING: PC, UL 94V-0
- 2. WIRE GAUGE: 22-24 AWG SOLID WIRE



<b>110 WIRING BLOCK W/FEET, 96-PAIR, CAT 6</b>			
ITEM NO.	IC110WK966		REV. B
DWG NO.	PS110WK966		PAGE NO. 2

CUSTOMER CARE / TECHNICAL SUPPORT \* CSR@ICC.COM / 888-ASK-4-ICC (275-4422) \* 2100 E. Valencia Dr, Suite D, Fullerton, CA 92831 \* www.icc.com