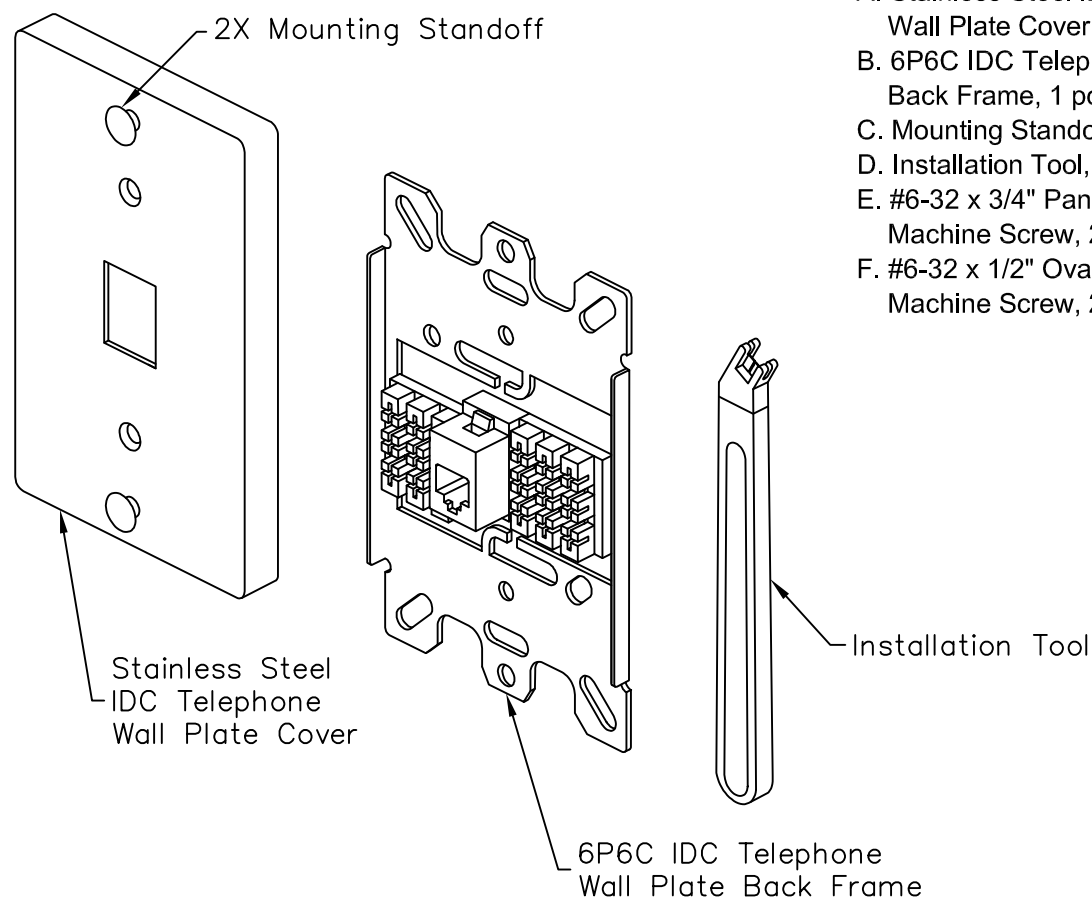


Stainless Steel 6P6C IDC Telephone Wall Plate

PRODUCT SPECIFICATION



Package includes:

- A. Stainless Steel IDC Telephone Wall Plate Cover, 1 pc
- B. 6P6C IDC Telephone Wall Plate Back Frame, 1 pc
- C. Mounting Standoff, 2 pcs
- D. Installation Tool, 1 pc
- E. #6-32 x 3/4" Pan Head Machine Screw, 2 pcs
- F. #6-32 x 1/2" Oval Head, Countersink Machine Screw, 2 pcs

Features and Benefits:

- Configured to fit standard single gang outlet box
- Designed for all voice connectivity to the work area for commercial or residential applications
- Provides with 110 termination and zinc plated steel back frame
- Rugged and durable construction
- Provides with two mounting standoffs for wall mount telephone
- Includes termination tool
- Used with ICLC4 and ICLC6 line cords
- ANSI/TIA-568-C and UL 1863 compliant

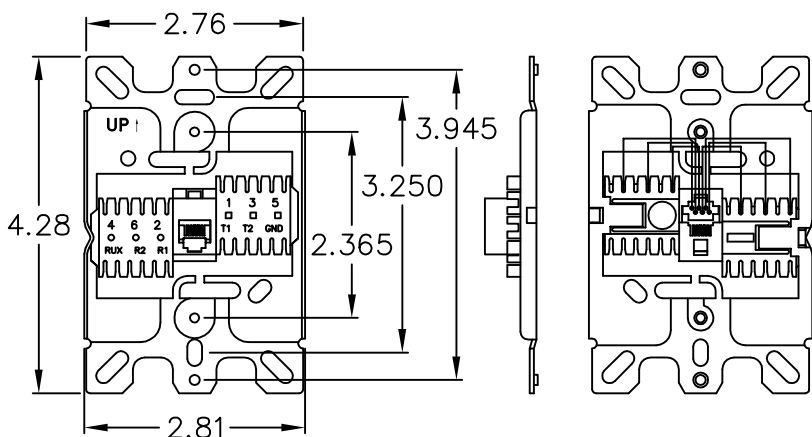
WALL PLATE, TELEPHONE, IDC, SS, 6P6C

ITEM NO.	IC630DA6SS
DWG NO.	PS630DA6SS

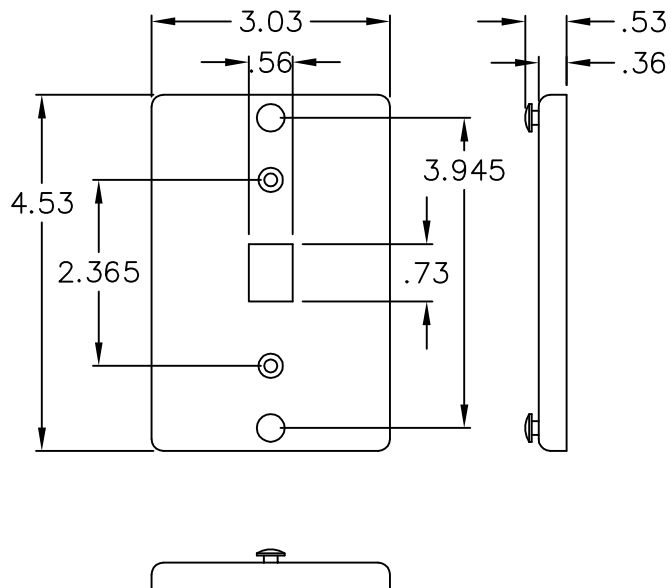
REV.	C
PAGE NO.	1



CUSTOMER CARE / TECHNICAL SUPPORT * CSR@ICC.COM / 888-ASK-4-ICC (275-4422) * 2100 E. Valencia Dr, Suite D, Fullerton, CA 92831 * www.icc.com



BACK FRAME



COVER

NOTE: UNLESS OTHERWISE SPECIFIED

1. MATERIAL & FINISH:

- A. 6P6C JACK & IDC HOUSING: ABS, UL 94V-0
- B. SPRING WIRE CONTACTS: PHOSPHOR BRONZE GOLD PLATING
OVER 100 MICRO INCH NICKEL
1.27 MICRON/50 MICRO INCH MIN GOLD PLATING
- C. WIRE LEADS: 26 AWG STRANDED WIRE
- D. TERMINAL: PHOSPHOR BRONZE, TIN PLATED
- E. WALL PLATE BACK FRAME BRACKET: STEEL, ZINC PLATED
- F. WALL PLATE COVER: STAINLESS STEEL

2. MECHANICAL:

- A. TOTAL MATING FORCE: 750 GRAMS FOR 6 WIRES LEAD
- B. RETENTION: 17 LBS BETWEEN JACK AND PLUG
- C. CRIMP TENSILE STRENGTH: 4.0-500 LBS

3. ELECTRICAL:

- A. CURRENT RATING: 1.5 AMP MAX
- B. DIELECTRIC WITHSTANDING VOLTAGE: 1,000 VOLTS RMS, 60 Hz
- C. CONTACT RESISTANCE: < 20 MILLIOHMS
- D. INSULATION RESISTANCE: > 10 MEGAOHMS

WIRING DIAGRAM

JACK POSITION	WIRE COLOR
	6 COND.
1	WHITE
2	BLACK
3	RED
4	GREEN
5	YELLOW
6	BLUE

UL US FILE NO. 125268

WALL PLATE, TELEPHONE, IDC, SS, 6P6C

ITEM NO. IC630DA6SS
 DWG NO. PS630DA6SS

REV. C
 PAGE NO. 2



CUSTOMER CARE / TECHNICAL SUPPORT * CSR@ICC.COM / 888-ASK-4-ICC (275-4422) * 2100 E. Valencia Dr, Suite D, Fullerton, CA 92831 * www.icc.com