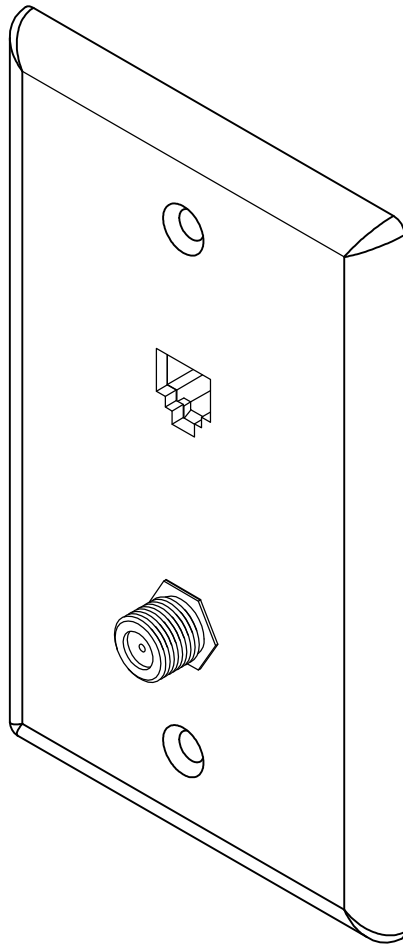


6P6C RJ-11 Voice & F-Type Wall Plate

PRODUCT SPECIFICATION



Package includes:

- A. 6P6C Voice & F-Type Wall Plate, 1 pc
- B. #6-32 x 3/4" Oval Head, Countersink Machine Screw, 2 pcs

6P6C Voice & F-Type Wall Plate

Features and Benefits:

- Configured to fit standard single gang outlet box
- Designed for all voice connectivity, audio, and video applications to the work area for commercial or residential applications
- Provides with traditional screw down terminals for voice connectivity on the rear
- Gold plated F-Type connector for improved performance with superior signal quality with minimal noise
- Designed to use with both RG6 and RG59 coaxial cables on the rear side
- Rear threaded F-Type connector for secure in-wall connections
- Rugged and durable construction
- Used with ICLC4 and ICLC6 line cords
- Available in ivory and white
- ANSI/TIA-568-C and UL 1863 compliant

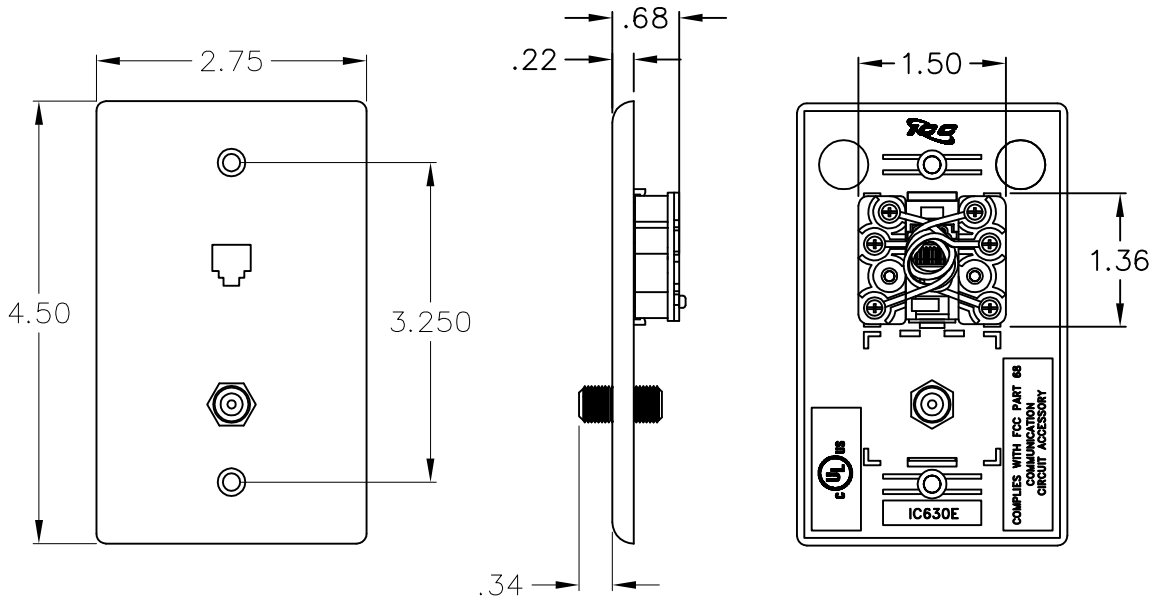
WALL PLATE, VOICE 6P6C & F-TYPE

ITEM NO.	IC630E6GXX
DWG NO.	PS630E6G00

REV.	A
PAGE NO.	1



CUSTOMER CARE / TECHNICAL SUPPORT * CSR@ICC.COM / 888-ASK-4-ICC (275-4422) * 2100 E. Valencia Dr, Suite D, Fullerton, CA 92831 * www.icc.com



NOTE: UNLESS OTHERWISE SPECIFIED

1. FACEPLATE:

- A. MATERIAL: ABS, UL 94V-0
- B. COLOR: XX: IV-IVORY & WH-WHITE

2. WIRING BLOCK:

- A. MATERIAL & FINISH:
 - HOUSING: ABS, UL 94V-0
 - SPRING WIRE CONTACTS: PHOSPHOR BRONZE GOLD PLATING OVER 100 MICRO INCH NICKEL
 - GOLD PLATING: 1.27 MICRON/50 MICRO INCH MIN
 - WIRE LEADS: 26 AWG STRANDED WIRE
 - TERMINATION SCREWS: #6-20 X .415 FLAT PAN HEAD TAPPING SCREWS WITH TWO WASHERS 15 LBS/INCH MIN TORQUE ZINC CHROMATIC PLATED STEEL
 - TERMINATION LUGS: BRASS

B. ELECTRICAL:

- CURRENT RATING: 1.5 AMP MAX
- DIELECTRIC WITHSTANDING VOLTAGE: 1,000 VOLTS RMS, 60 Hz
- CONTACT RESISTANCE: < 20 MILLIOHMS
- INSULATION RESISTANCE: > 10 MEGAOHMS
- PERFORMANCE: RETURN LOSS OF -20 dB MAX FREQUENCY RANGE DC -1.5 GHz

C. MECHANICAL:

- TOTAL MATING FORCE: 500 GRAMS FOR 6 WIRES LEAD
- RETENTION: 17 LBS BETWEEN JACK AND PLUG
- CRIMP TENSILE STRENGTH: 4.0-500 LBS

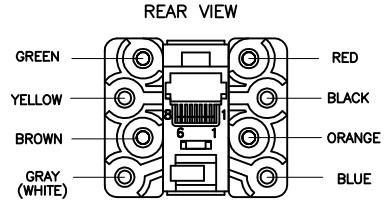
3. F-TYPE FEMALE-TO-FEMALE CONNECTOR:

A. MECHANICAL:

- MATERIAL: BRONZE WITH 3 MICRON GOLD PLATING
- HOLDING FORCE > 80 GRAMS
- F-TYPE CONNECTOR THREADS: 3/8-32 UNEF-2A

B. ELECTRICAL:

- RETURN LOSS OF -20 dB MAX
- FREQUENCY RANGE DC -1.5 GHz
- CONTACT RESISTANCE < 10 MOHM
- INSULATION RESISTANCE > 5000 MOHM
- INSERTION LOSS < 0.3 dB



WIRING DIAGRAM

JACK POSITION	WIRE COLOR
1	WHITE
2	BLACK
3	RED
4	GREEN
5	YELLOW
6	BLUE

UL US FILE NO. 125268

WALL PLATE, VOICE 6P6C & F-TYPE

ITEM NO. IC630E6GXX
 DWG NO. PS630E6G00

REV. A
 PAGE NO. 2



CUSTOMER CARE / TECHNICAL SUPPORT * CSR@ICC.COM / 888-ASK-4-ICC (275-4422) * 2100 E. Valencia Dr, Suite D, Fullerton, CA 92831 * www.icc.com