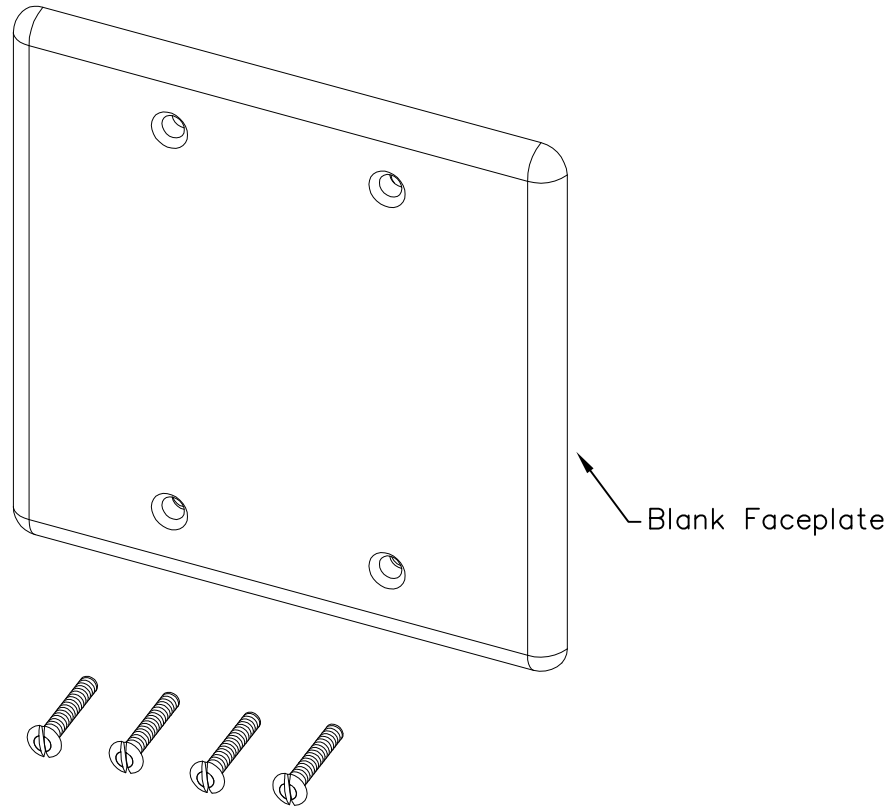


# Blank Double Gang Faceplate

## PRODUCT SPECIFICATION

### Package includes:

- A. Blank Double Gang Faceplate, 1 pc
- B. #6-32 x 3/4" Oval Head, Countersink Machine Screw, 4 pcs



### Features and Benefits:

- Configured to fit standard double gang outlet box
- Designed for commercial or residential applications
- Rugged and durable construction
- Available in almond, ivory, and white
- ANSI/TIA-568-C and UL 1863 compliant

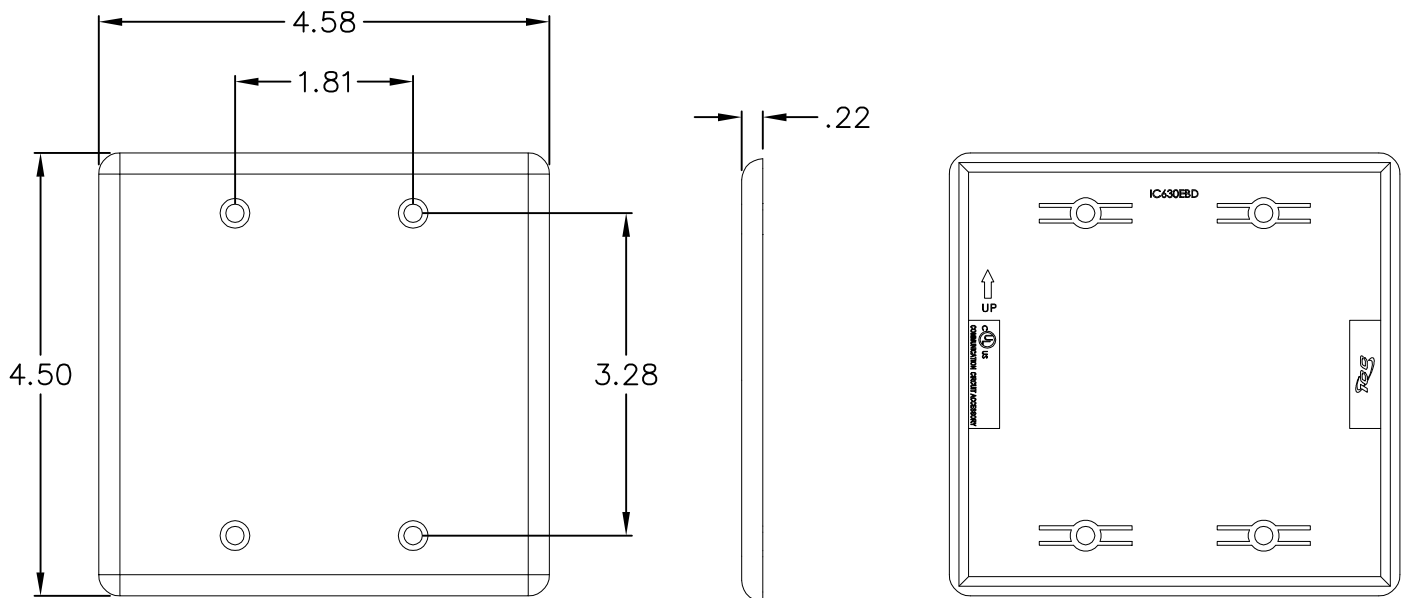
### FACEPLATE, 2-GANG, BLANK

ITEM NO.	IC630EBOXX
DWG NO.	PS630EB000

REV.	A
PAGE NO.	1




CUSTOMER CARE / TECHNICAL SUPPORT \* CSR@ICC.COM / 888-ASK-4-ICC (275-4422) \* 2100 E. Valencia Dr, Suite D, Fullerton, CA 92831 \* www.icc.com



**NOTE: UNLESS OTHERWISE SPECIFIED**

1. MATERIAL: ABS, UL 94V-0
2. FINISH: TEXTURE
3. COLOR: XX: AL-ALMOND, IV-IVORY, & WH-WHITE

UL US FILE NO. 125268

<b>FACEPLATE, 2-GANG, BLANK</b>		 <b>PremiumProducts</b> <i>ProvenPerformance</i> <i>CompetitivePrices</i>	
ITEM NO.	IC630EBOX		REV. A
DWG NO.	PS630EB000		PAGE NO. 2

CUSTOMER CARE / TECHNICAL SUPPORT \* CSR@ICC.COM / 888-ASK-4-ICC (275-4422) \* 2100 E. Valencia Dr, Suite D, Fullerton, CA 92831 \* www.icc.com