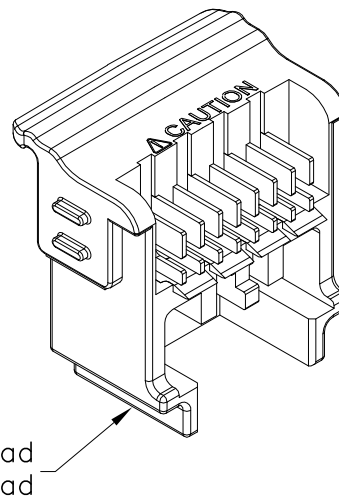
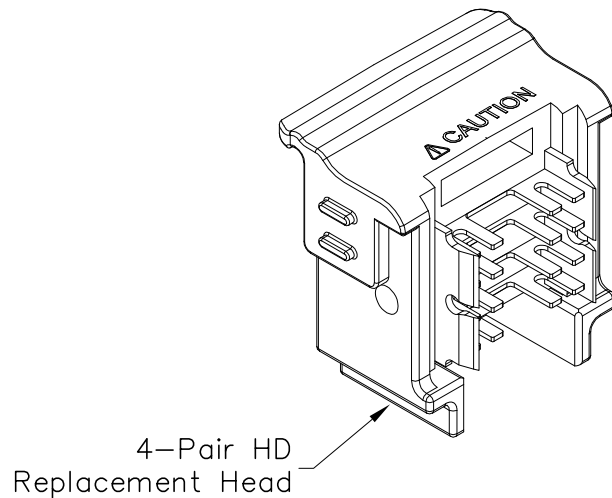


# JackEasy HD & EZ Replacement Heads

## PRODUCT SPECIFICATION

### Package includes:

- A. JackEasy HD Replacement Head, 1pc
- B. JackEasy EZ Replacement Head, 1 pc



### Features and Benefits:

- Manufactured from high quality plastic for strength and durability
- Compatible with ICC's JackEasy Termination Tool (ICACSPDTEH)
- Cuts excess wire and terminates 4-pairs with one motion
- Compatible with all of ICC's EZ and HD modules

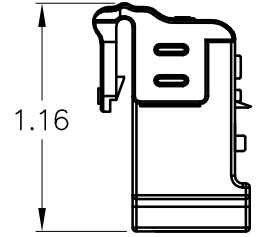
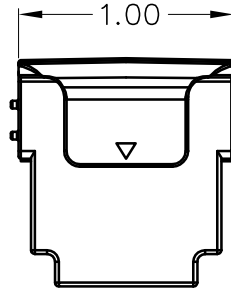
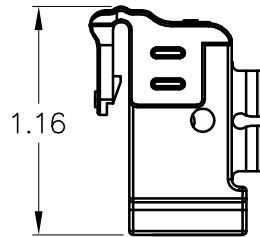
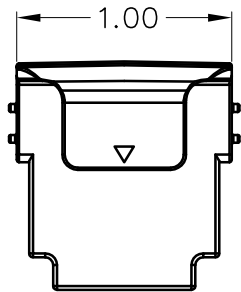
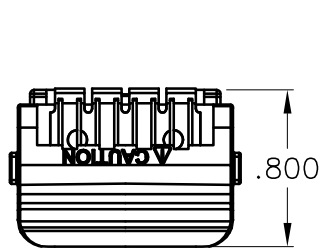
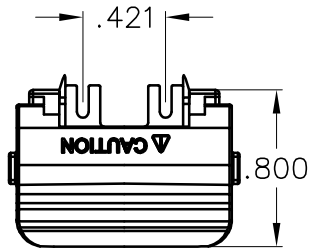
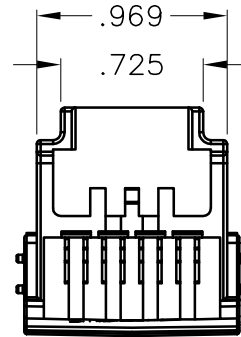
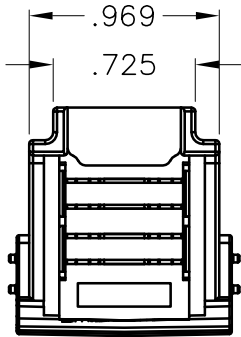
### JACKEASY, REPLACEMENT HEAD EZ/HD

ITEM NO. ICACS8WUEH  
DWG NO. PSACS8WUEH

REV. B  
PAGE NO. 1



CUSTOMER CARE / TECHNICAL SUPPORT \* CSR@ICC.COM / 888-ASK-4-ICC (275-4422) \* 14700 Alondra Blvd., La Mirada, CA 90638 \* www.icc.com



**NOTE: UNLESS OTHERWISE SPECIFIED**

1. MATERIAL:
  - A. HEAD: NYLON+FIBER
  - B. CUTTER: SK-5
  - C. HARDNESS: BLADE: HRC 50-60°
2. COLOR: RED

**NOTE: UNLESS OTHERWISE SPECIFIED**

1. MATERIAL:
  - A. HEAD: NYLON+FIBER
  - B. CUTTER: SK-5
  - C. HARDNESS: BLADE: HRC 50-60°
2. COLOR: BLUE

**JACKEASY, REPLACEMENT HEAD EZ/HD**

ITEM NO. ICACS8WUEH  
 DWG NO. PSACS8WUEH

REV. B  
 PAGE NO. 2



CUSTOMER CARE / TECHNICAL SUPPORT \* CSR@ICC.COM / 888-ASK-4-ICC (275-4422) \* 14700 Alondra Blvd., La Mirada, CA 90638 \* www.icc.com