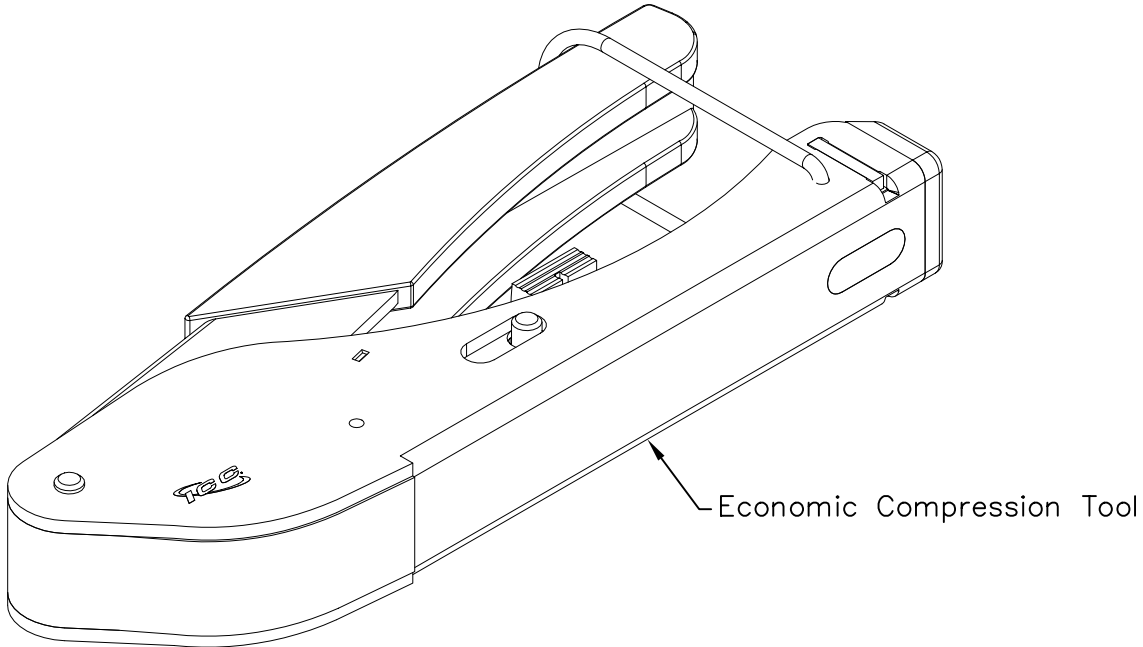


Economic Compression Tool

PRODUCT SPECIFICATION


Package includes:

A. Economic Compression Tool, 1 pc

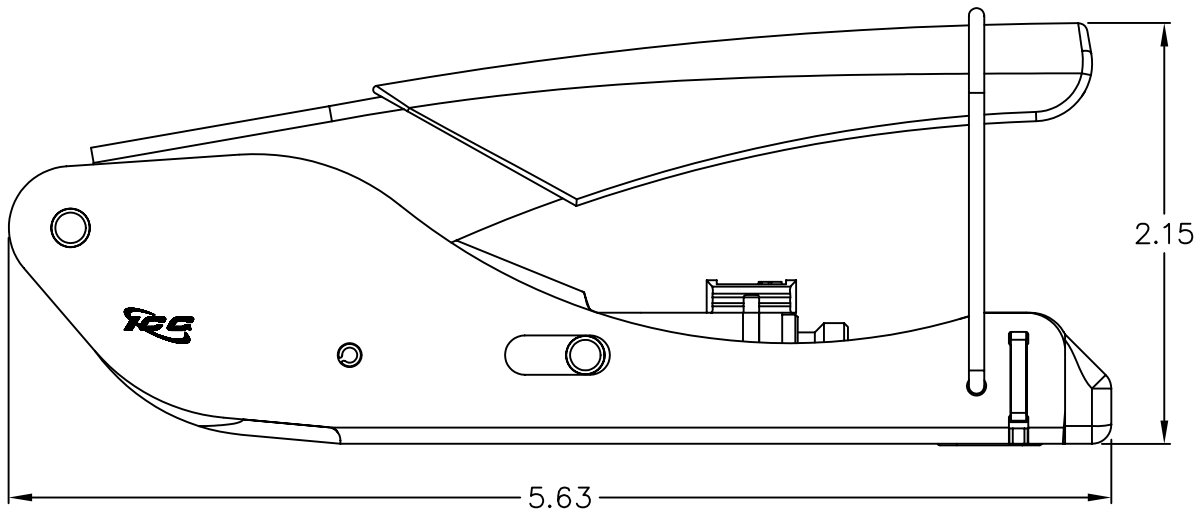
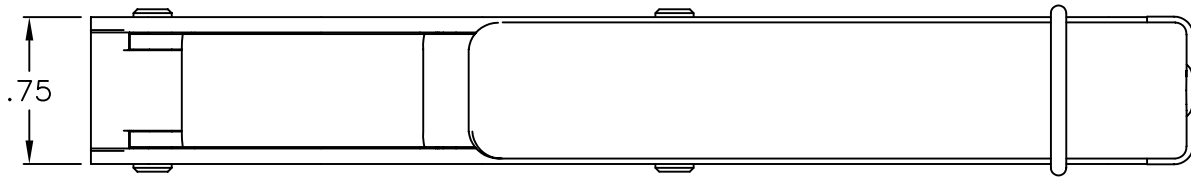


Features and Benefits:

- Provides a much tighter fit after compression than traditional crimp tools and aids in proper and consistent termination, reducing the potential for connector damage
- Avoids over-crimping by pressing the connector vertically onto the cable without causing bends and distortion to the waveguide cavity, thus improving signal quality and preventing connectivity degradation over time
- Ergonomic design providing a firm comfortable grip and preventing slippage during compression
- Steel body constructions for added strength and durability
- Suitable for use with RG59, RG6, and RG6 quad cables
- Used with all ICRDS F-type, RCA, and BNC connectors


TOOL, COMPRESSION, ECONOMIC		 PremiumProducts ProvenPerformance CompetitivePrices	
ITEM NO.	ICACSCT01E	REV.	B
DWG NO.	PSACSCT01E	PAGE NO.	1

CUSTOMER CARE / TECHNICAL SUPPORT * CSR@ICC.COM / 888-ASK-4-ICC (275-4422) * 14700 Alondra Blvd., La Mirada, CA 90638 * www.icc.com



NOTE: UNLESS OTHERWISE SPECIFIED

- 1. MATERIAL:
 - A. BODY: MIDDLE CARBON STEEL
 - B. COVER: ABS
 - C. HANDLE: PVC COATING
- 2. COLOR: BLUE HANDLE
- 3. COMPRESSED DISTANCE:
 - F-TYPE: .8"
 - RCA: 1.2"
 - BNC: 1.2"

TOOL, COMPRESSION, ECONOMIC		 <i>PremiumProducts</i> <i>ProvenPerformance</i> <i>CompetitivePrices</i>	
ITEM NO.	ICACSCT01E		REV. B
DWG NO.	PSACSCT01E		PAGE NO. 2

CUSTOMER CARE / TECHNICAL SUPPORT * CSR@ICC.COM / 888-ASK-4-ICC (275-4422) * 14700 Alondra Blvd., La Mirada, CA 90638 * www.icc.com