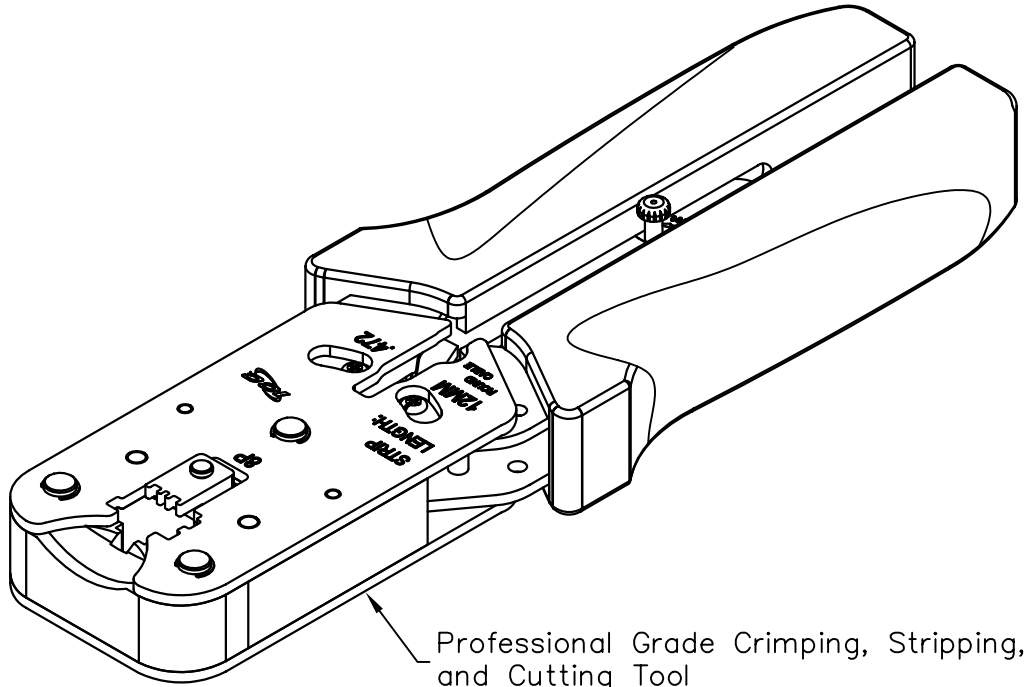


Professional Grade Crimping, Stripping, and Cutting Tool

PRODUCT SPECIFICATION

Package includes:

A. Professional Crimping Tool, 1 pc



Professional Grade Crimping, Stripping, and Cutting Tool

Features and Benefits:

- Ergonomic design provides a firm and comfortable grip which prevents slippage during crimping, cutting and stripping cable.
- Lightweight, durable, and compact.
- Ideal for crimping 8P8C/RJ-45 telephone and data plugs.
- Used with ICC's ICMP8 modular plugs.

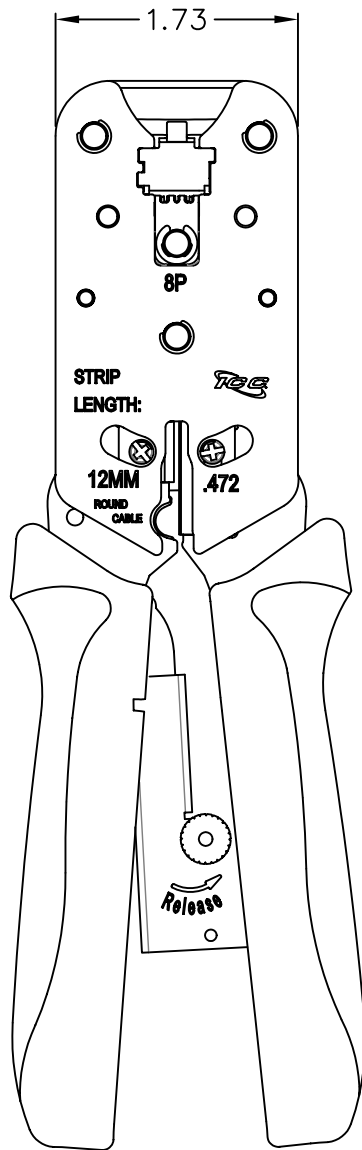
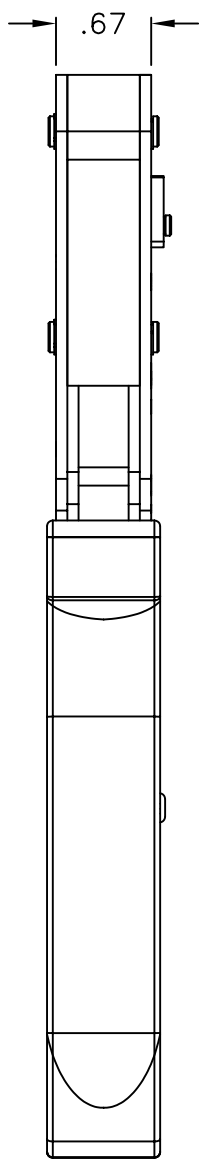
TOOL, CRIMPING, STRIP & CUT, 8P8C, RJ45

ITEM NO. ICACSCT845
DWG NO. PSACSCT845

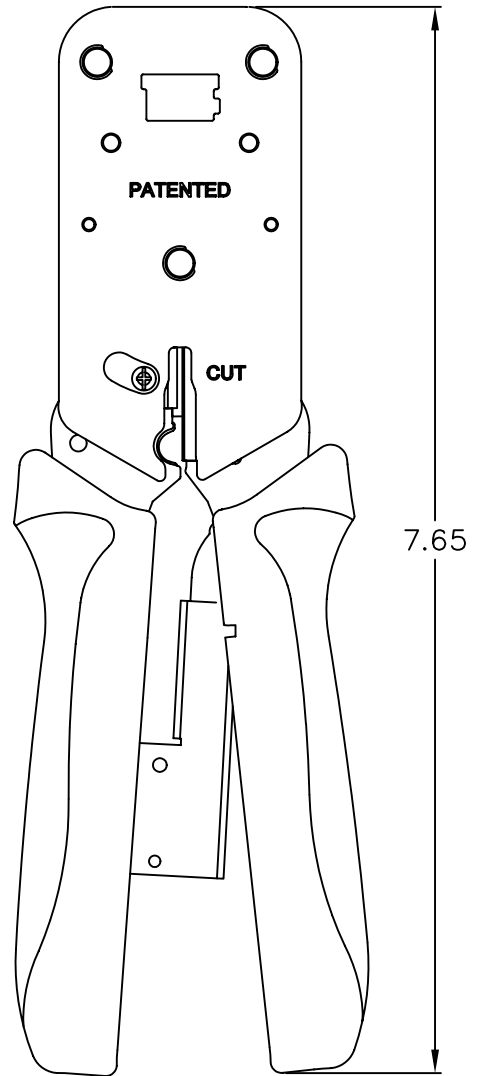
REV. A
PAGE NO. 1



CUSTOMER CARE / TECHNICAL SUPPORT * CSR@ICC.COM / 888-ASK-4-ICC (275-4422) * 14700 Alondra Blvd., La Mirada, CA 90638 * www.icc.com



FRONT



REAR

NOTE: UNLESS OTHERWISE SPECIFIED

1. MATERIAL:

- A. BODY FRAME: MIDDLE CARBON STEEL
- B. CRIMPRING SECTION: PLASTIC
- C. HANDLE: BLUE PLASTIC, BLACK RUBBER
- D. BLADES: STEEL

TOOL, CRIMPING, STRIP & CUT, 8P8C, RJ45



PremiumProducts
ProvenPerformance
CompetitivePrices

ITEM NO.	ICACSCT845
DWG NO.	PSACSCT845

REV.	A
PAGE NO.	2

CUSTOMER CARE / TECHNICAL SUPPORT * CSR@ICC.COM / 888-ASK-4-ICC (275-4422) * 14700 Alondra Blvd., La Mirada, CA 90638 * www.icc.com