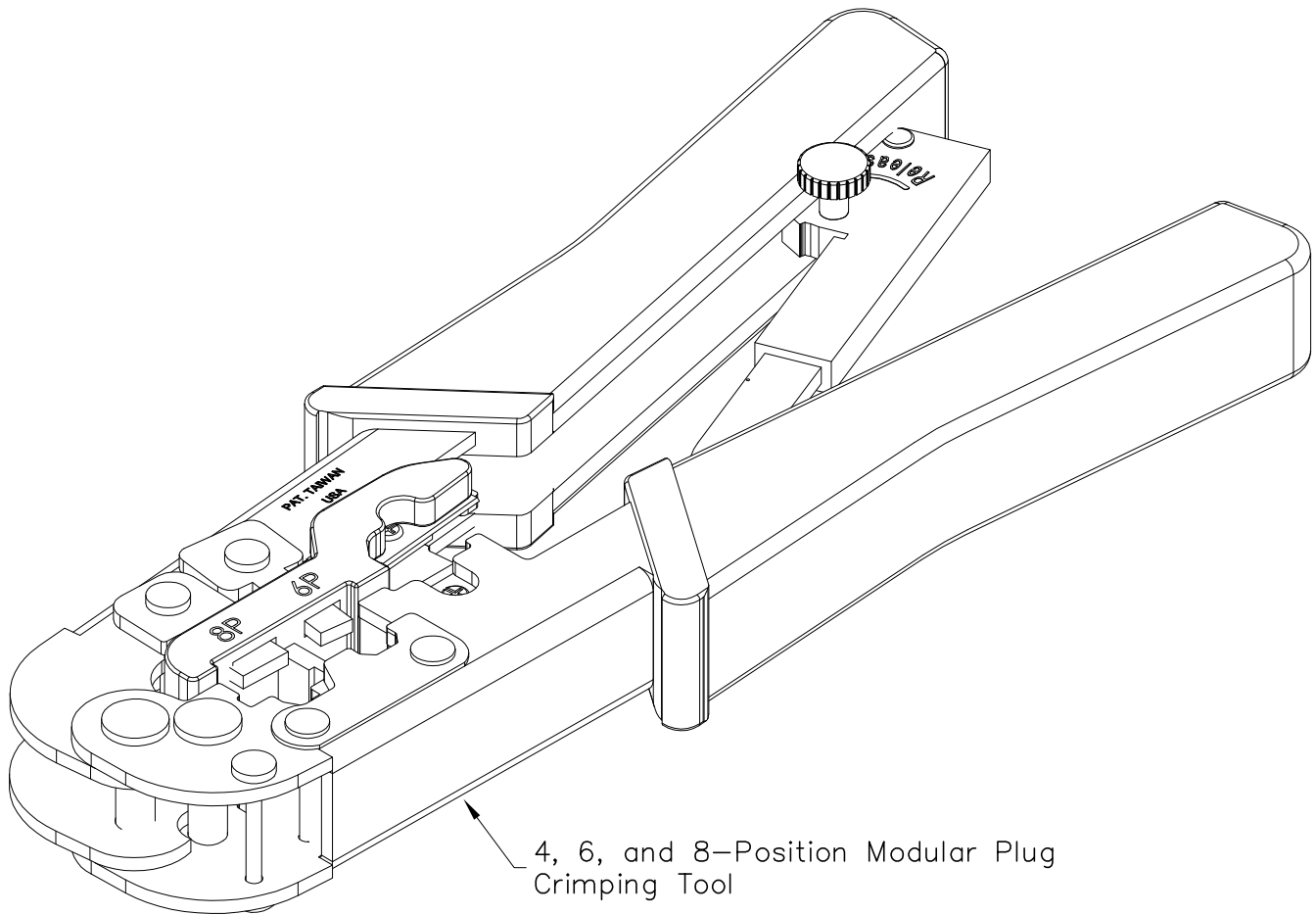


4, 6 & 8 Position Modular Plug Crimping Tool

PRODUCT SPECIFICATION

Package includes:

- A. 8, 6, & 4-Position Modular Plug Crimping Tool, 1 pc



4, 6, and 8-Position Modular Plug Crimping Tool

Features and Benefits:

- Designed with ratchet mechanism providing a complete crimp prior to releasing the plug.
- Ergonomic design providing a firm comfortable grip and preventing slippage during crimping.
- Steel frame constructions for added strength and durability.
- Ideal for crimping 4, 6 and 8-position telephone plugs.
- Crimps up to 2 modular plugs at a time.
- Used with all ICMP4, ICMP6, and ICMP8 modular plugs.

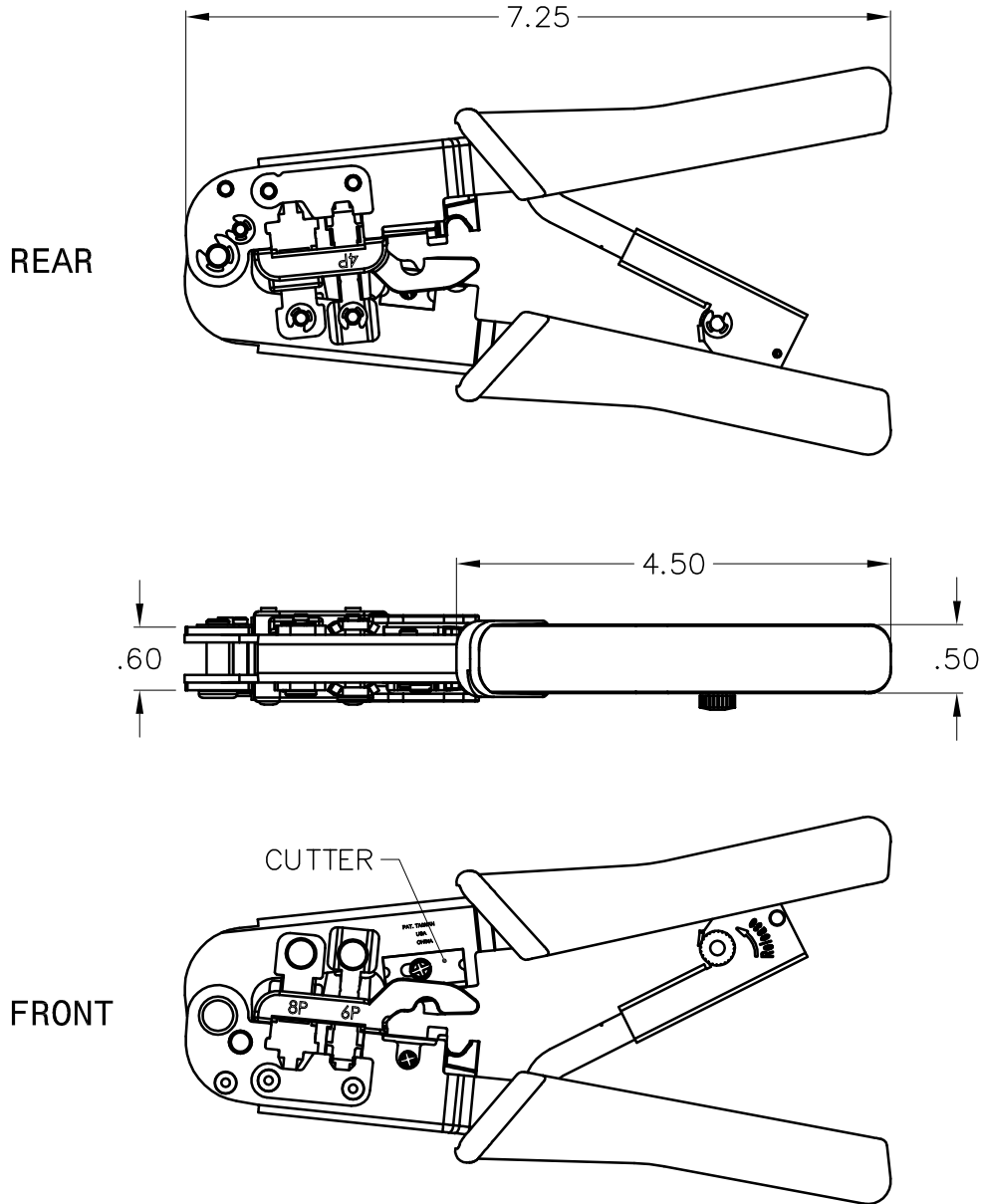
TOOL, UNIV CRIMP, 4, 6 & 8 POSITION PLUG

ITEM NO.	ICACSCT864
DWG NO.	PSACSCT864

REV.	A
PAGE NO.	1



CUSTOMER CARE / TECHNICAL SUPPORT * CSR@ICC.COM / 888-ASK-4-ICC (275-4422) * 14700 Alondra Blvd., La Mirada, CA 90638 * www.icc.com



NOTE: UNLESS OTHERWISE SPECIFIED

1. MATERIAL:

- A. FRAME: CARBON STEEL
- B. CRIMPER: CARBON STEEL
- C. HANDLES: PVC DIP GRIP, BLUE

2. .237" CRIMP DEPTH

TOOL, UNIV CRIMP, 4, 6 & 8 POSITION PLUG

ITEM NO.	ICACSCT864
DWG NO.	PSACSCT864

REV.	A
PAGE NO.	2



CUSTOMER CARE / TECHNICAL SUPPORT * CSR@ICC.COM / 888-ASK-4-ICC (275-4422) * 14700 Alondra Blvd., La Mirada, CA 90638 * www.icc.com