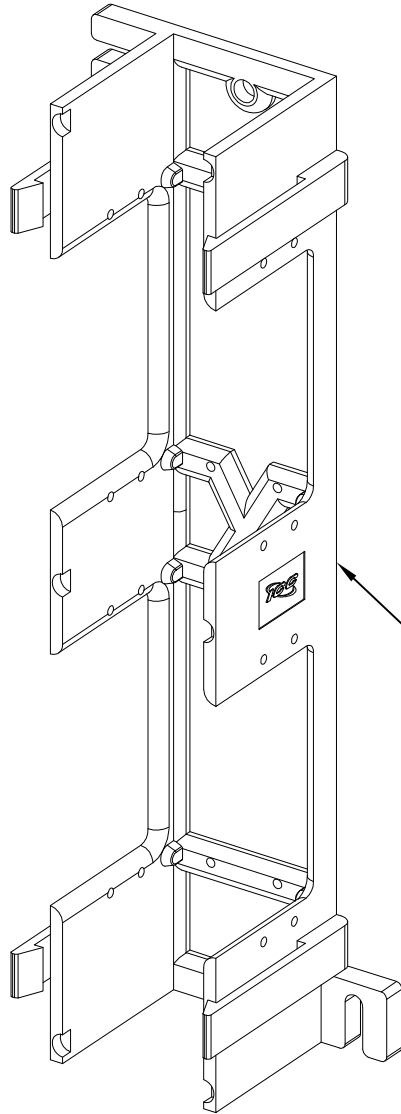


# 89U Universal Mounting Bracket

## PRODUCT SPECIFICATION

### Package includes:

A. 89U Universal Mounting Bracket, 1 pc



89U Universal Mounting Bracket

### Features and Benefits:

- Designed for wall mounting
- Used with ICMP CAT 5e/CAT 6 vertical patch panels, IC107 vertical blank patch panels, and IC066NB050 66 wiring blocks
- ANSI/TIA-568-C and UL 1863 compliant

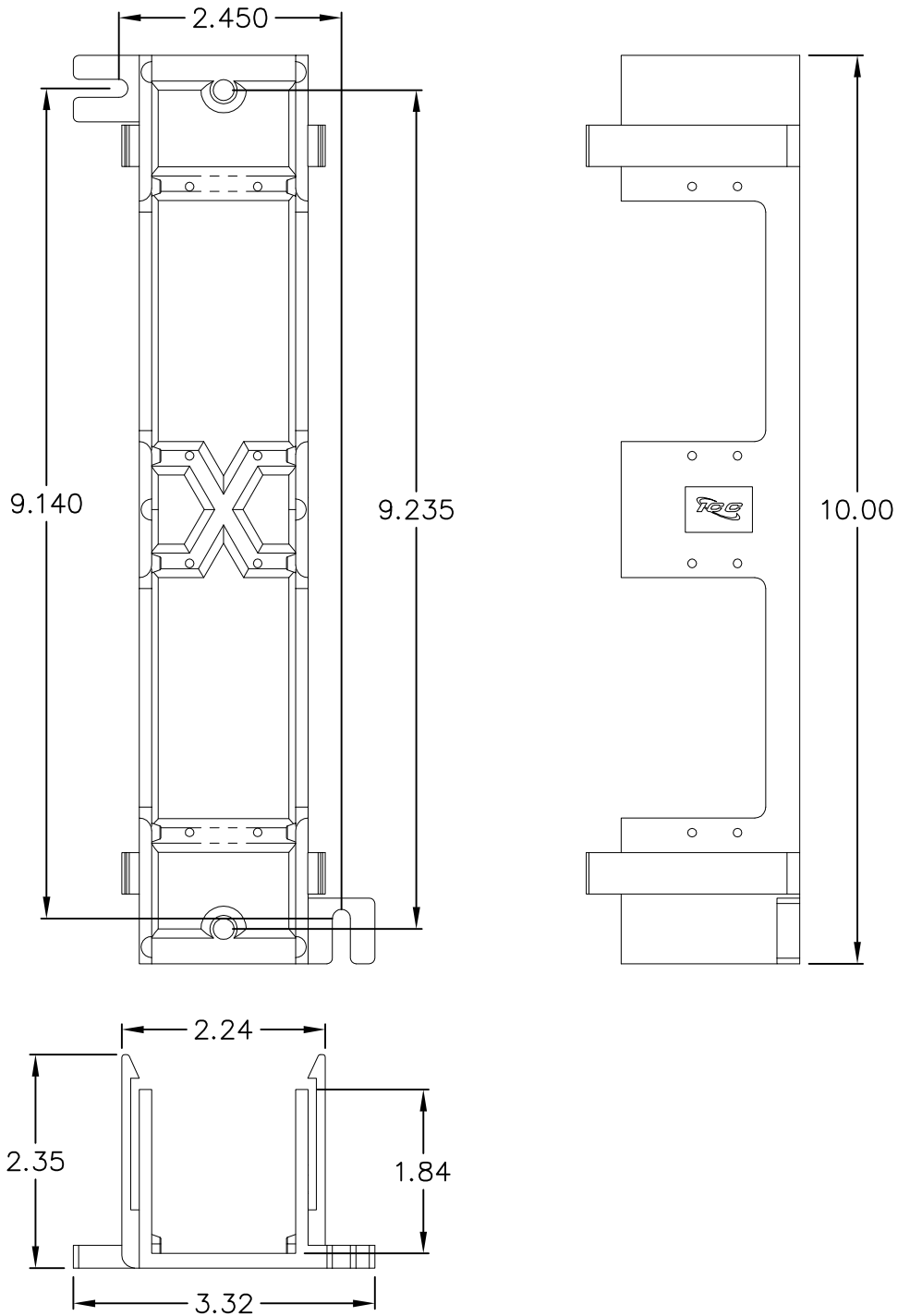
### 89U MOUNTING BRACKET, UNIVERSAL

ITEM NO. ICMB89U0WH  
 DWG NO. PSMB89U0WH

REV. A  
 PAGE NO. 1




CUSTOMER CARE / TECHNICAL SUPPORT \* CSR@ICC.COM / 888-ASK-4-ICC (275-4422) \* 2100 E. Valencia Dr, Suite D, Fullerton, CA 92831 \* www.icc.com



**NOTE: UNLESS OTHERWISE SPECIFIED**

- 1. MATERIAL: ABS, UL 94V-2
- 2. COLOR: WHITE

UL US FILE NO. 125268

<b>89U MOUNTING BRACKET, UNIVERSAL</b>		 <b>Premium Products</b> <i>Proven Performance</i> <i>Competitive Prices</i>	
ITEM NO.	ICMB89U0WH		REV. A
DWG NO.	PSMB89U0WH		PAGE NO. 2

CUSTOMER CARE / TECHNICAL SUPPORT \* CSR@ICC.COM / 888-ASK-4-ICC (275-4422) \* 2100 E. Valencia Dr, Suite D, Fullerton, CA 92831 \* www.icc.com