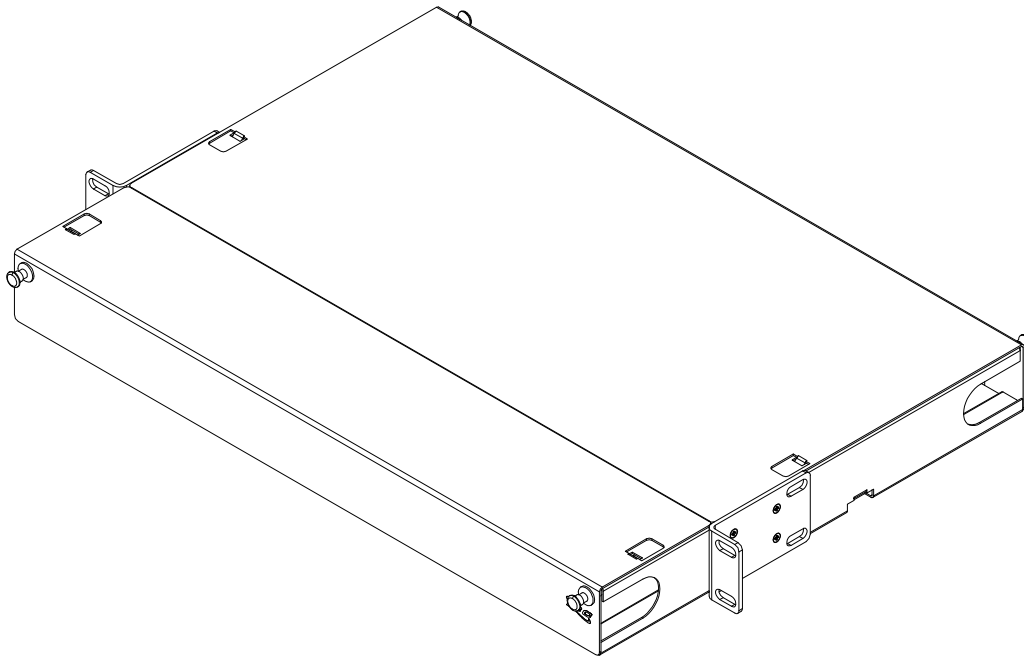


3-Panel Fiber Optic Rack Mount Enclosure

PRODUCT SPECIFICATION

Package includes:

- A. 3-Panel Rack Mount Enclosure, 1 pc
- B. Cable Management Spool, 4 pcs
- C. M5-0.8 Nut, 4 pcs
- D. Hook and Loop Ties, 10 pcs
- E. Location Identification Label, 1 pc
- F. Danger Label, 1 pc
- G. #12-24 x 5/8" Pan Head, Pilot Point Machine Screw, 4 pcs
- H. Installation Instructions, 1 sheet



Features and Benefits:

- Slide out tray with front and rear metal covers.
- Front and rear openings designed to allow room for cable entry and exit and also help minimize cable build up.
- High quality material and folded edge design allow for strength and durability.
- Designed to fit all standard 19" racks and cabinets.
- Holds three ICFOP fiber optic adapter panels.
- Accepts two ICFO SKFM12 slice trays.
- 1 racks mount space.

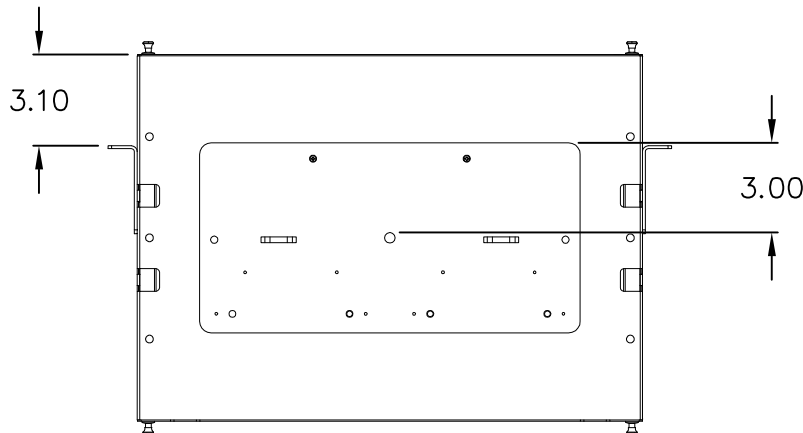
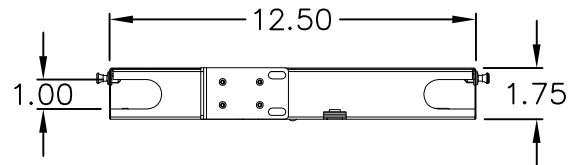
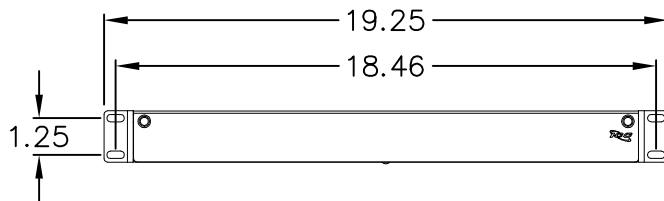
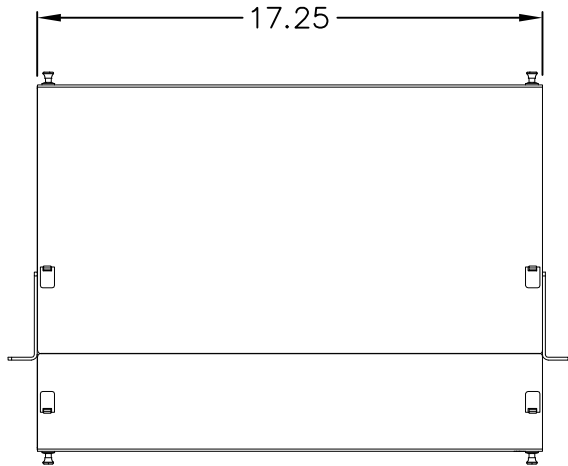
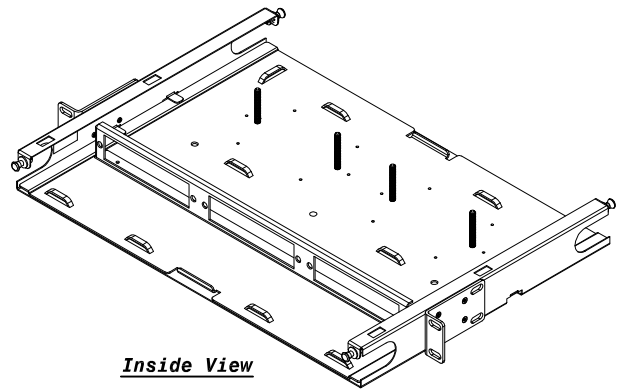
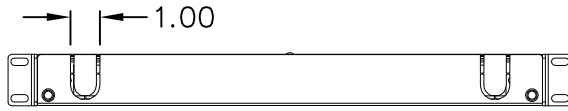
RACK ENCLOSURE, FIBER, 3-PANEL, 1 RMS

ITEM NO.	ICFORE31RM
DWG NO.	PSFORE31RM

REV.	A
PAGE NO.	1



CUSTOMER CARE / TECHNICAL SUPPORT * CSR@ICC.COM / 888-ASK-4-ICC (275-4422) * 14700 Alondra Blvd., La Mirada, CA 90638 * www.icc.com



NOTE: UNLESS OTHERWISE SPECIFIED

1. MATERIAL:

A. ENCLOSURE: 20 GA CRS

B. ADAPTER BULKHEAD: 16 GA CRS

2. FINISH: BLACK POWDER COAT

RACK ENCLOSURE, FIBER, 3-PANEL, 1 RMS

ITEM NO.	ICFORE31RM	REV.	A
DWG NO.	PSFORE31RM	PAGE NO.	2



CUSTOMER CARE / TECHNICAL SUPPORT * CSR@ICC.COM / 888-ASK-4-ICC (275-4422) * 14700 Alondra Blvd., La Mirada, CA 90638 * www.icc.com