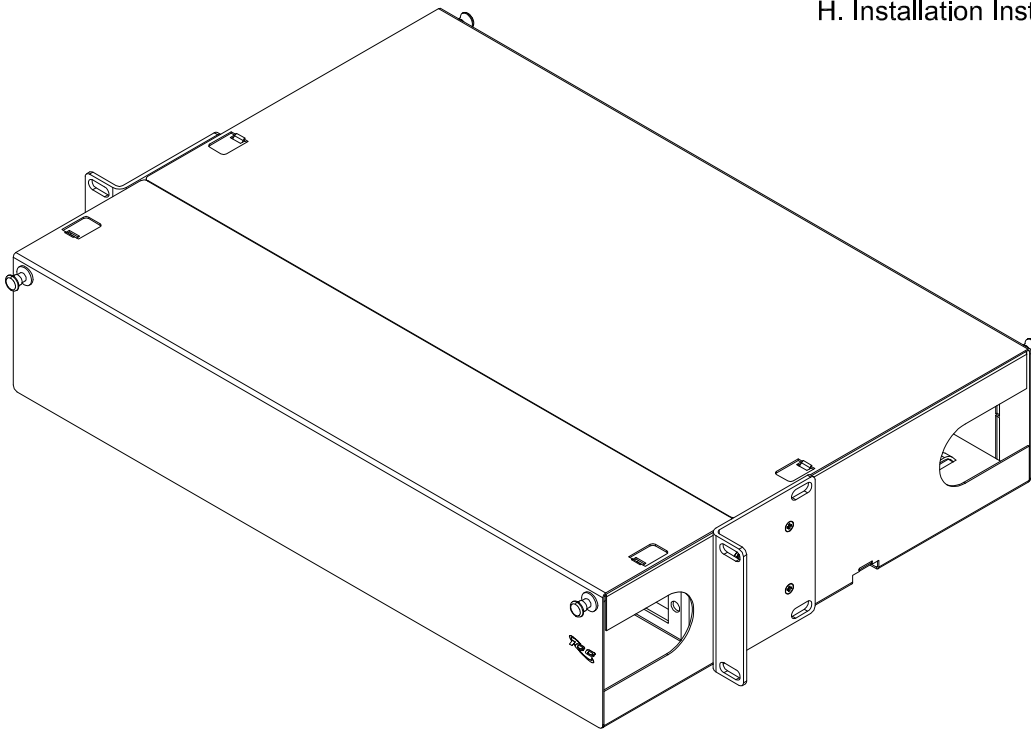


# 6-Panel Fiber Optic Rack Mount Enclosure

## PRODUCT SPECIFICATION

### Package includes:

- A. 6-Panel Rack Mount Enclosure, 1 pc
- B. Cable Management Spool, 4 pcs
- C. M5-0.8 Nut, 4 pcs
- D. Hook and Loop Tie, 10 pcs
- E. Location Identification Label, 2 pcs
- F. Danger Label, 1 pc
- G. #12-24 x 5/8" Pan Head, Pilot Point Machine Screw, 4 pcs
- H. Installation Instructions, 1 sheet



### Features and Benefits:

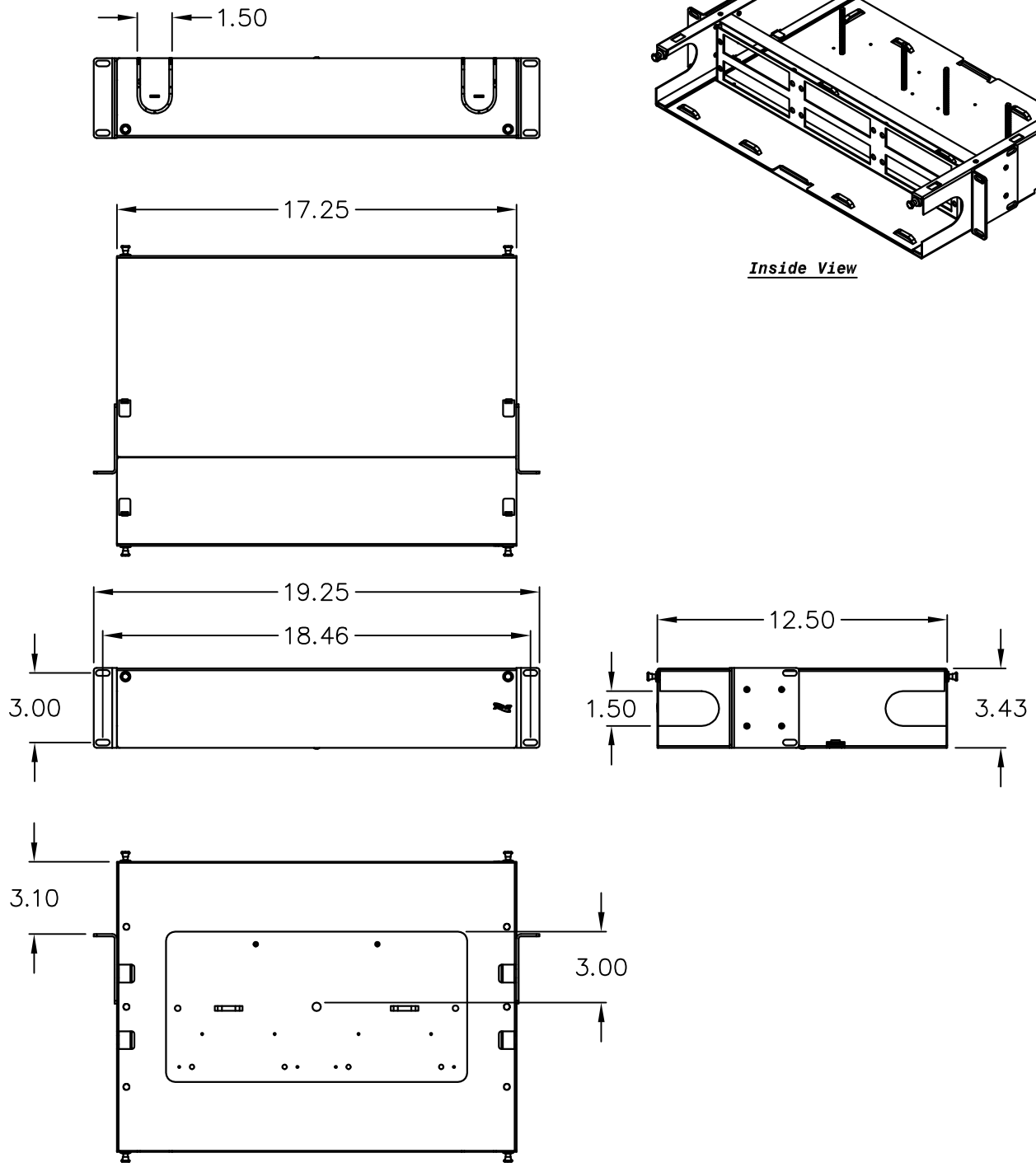
- Slide out tray with front and rear metal covers.
- Front and rear openings designed to allow room for cable entry and exit and also help minimize cable build up.
- High quality material and folded edge design allow for strength and durability.
- Designed to fit all standard 19" racks and cabinets.
- Holds six ICFOP fiber optic adapter panels.
- Accepts three ICFOSKFM12 slice trays.
- 2 racks mount space.

### RACK ENCLOSURE, FIBER, 6-PANEL, 2 RMS

ITEM NO.	ICFORE62RM	REV.	A
DWG NO.	PSFORE62RM	PAGE NO.	1



CUSTOMER CARE / TECHNICAL SUPPORT \* CSR@ICC.COM / 888-ASK-4-ICC (275-4422) \* 14700 Alondra Blvd., La Mirada, CA 90638 \* www.icc.com



**NOTE: UNLESS OTHERWISE SPECIFIED**

1. MATERIAL:

- A. ENCLOSURE: 20 GA CRS
- B. ADAPTER BULKHEAD: 16 GA CRS

2. FINISH: BLACK POWDER COAT

<b>RACK ENCLOSURE, FIBER, 6-PANEL, 2 RMS</b>		 <i>Premium Products</i> <i>Proven Performance</i> <i>Competitive Prices</i>	
ITEM NO.	ICFORE62RM		REV. A
DWG NO.	PSFORE62RM	PAGE NO.	2

CUSTOMER CARE / TECHNICAL SUPPORT \* CSR@ICC.COM / 888-ASK-4-ICC (275-4422) \* 14700 Alondra Blvd., La Mirada, CA 90638 \* www.icc.com