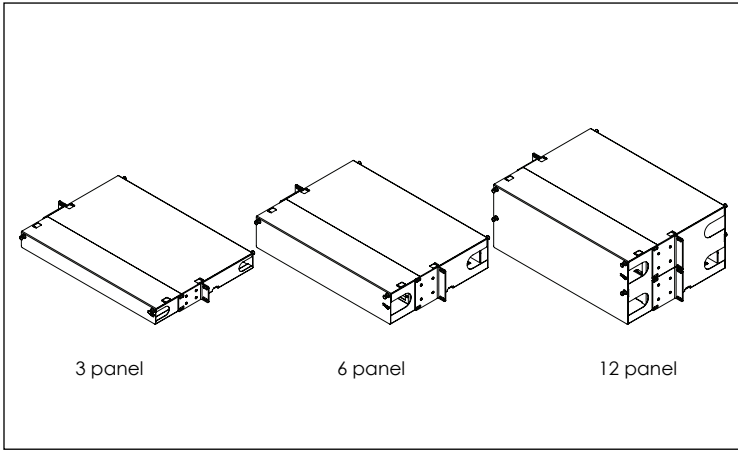


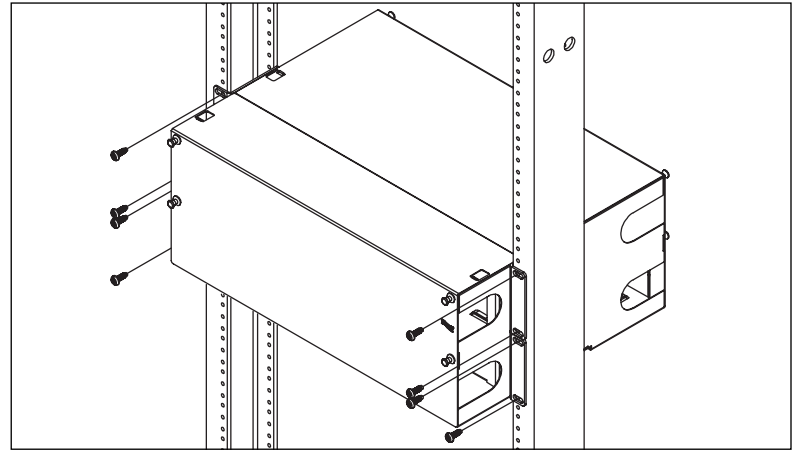


# Slide-Out Fiber Optic Rack Mount Enclosures

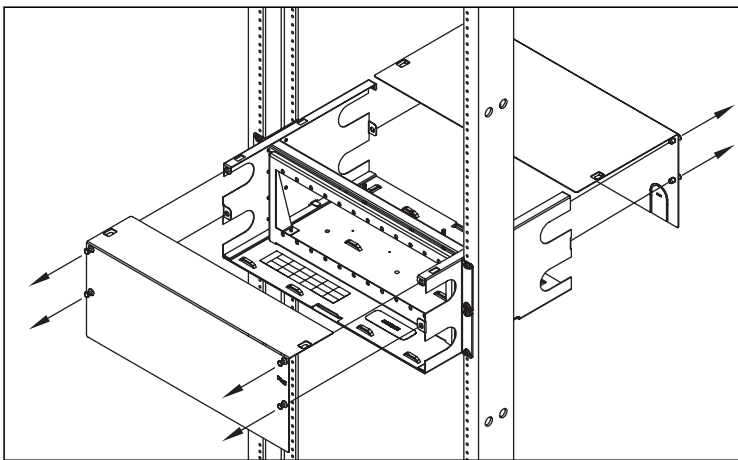
## INSTALLATION INSTRUCTIONS



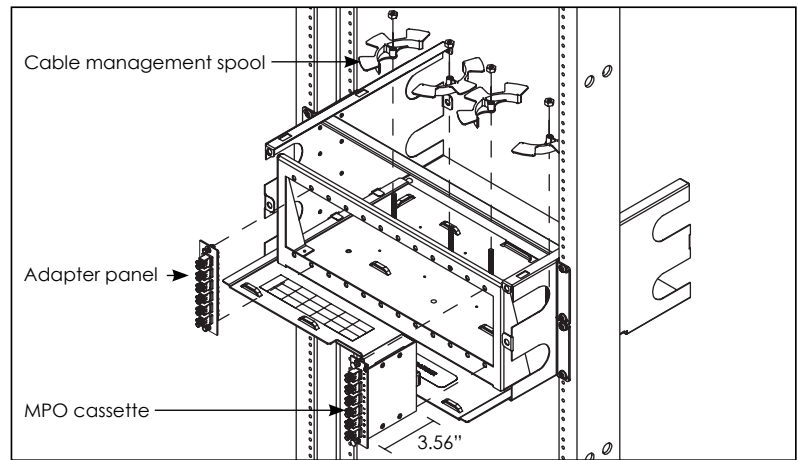
We offer 3 sizes of enclosures. Mounting is similar for all of them.



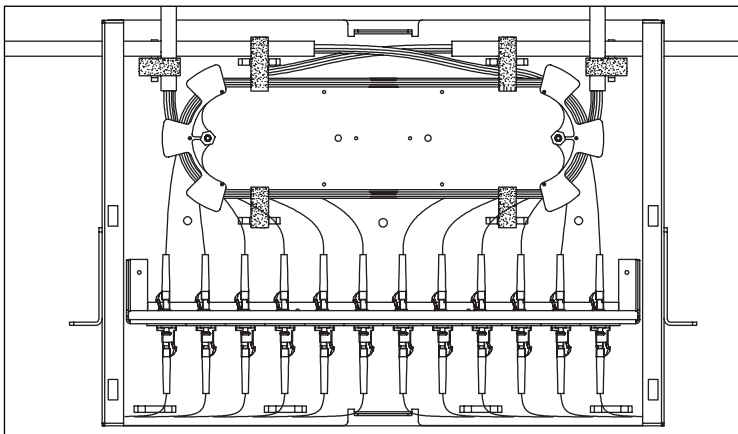
Step 1. Mount the enclosure to a 19" distribution rack with #12-24 rack screws. Note: It is recommended to mount the enclosure above eye level.



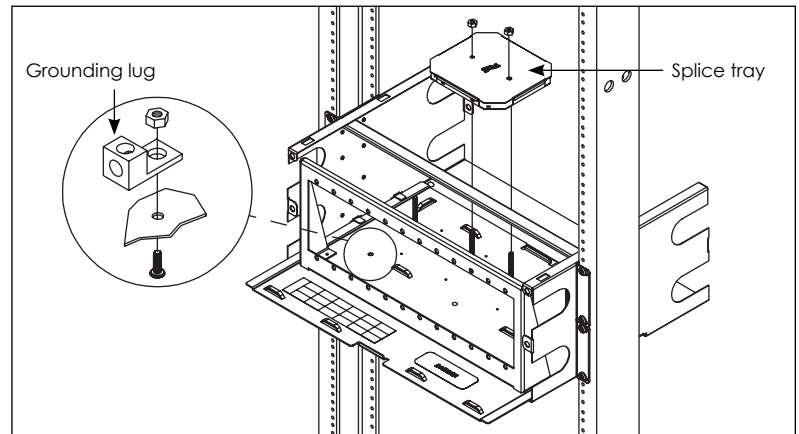
Step 2. Remove the front and rear covers.



Step 3. Install cable management spools and secure them using screw nuts. Spools can be configured and stacked in a variety of ways depending on your preference. Next, install fiber optic adapter panels or MPO cassettes. Note: MPO cassettes require more room, so the spools will have to be removed.



Step 4. Follow proper fiber bend radius standard and route cable around spools. Be sure to loop fibers into the tray, and add slack to allow the tray to slide out.



Optional: If splicing or grounding is required then install a splice tray or grounding lug. Both are sold separately.

888-ASK-4ICC

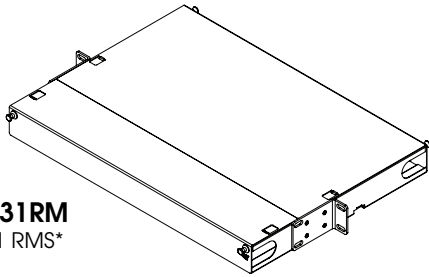
csr@icc.com

icc.com

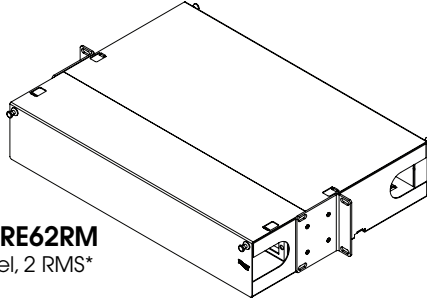
# Slide-Out Fiber Optic Rack Mount Enclosures

## I N S T A L L A T I O N I N S T R U C T I O N S

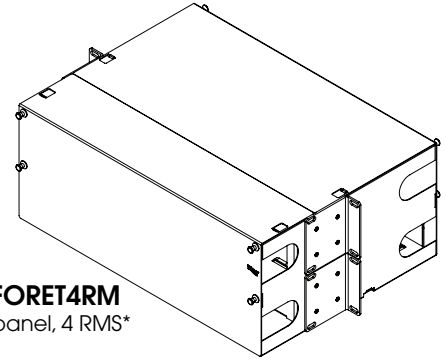
**A**



**ICFORE31RM**  
3 panel, 1 RMS\*



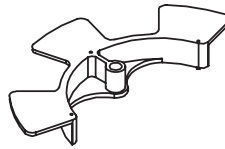
**ICFORE62RM**  
6 panel, 2 RMS\*



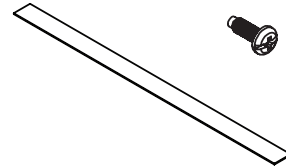
**ICFORET4RM**  
12 panel, 4 RMS\*

	3 panel	6 panel	12 panel
<b>A</b> Rack mount fiber optic enclosure	1 pc.	1 pc.	1 pc.
<b>B</b> Cable management spools	4 pcs.	4 pcs.	4 pcs.
<b>C</b> Hook and loop ties	10 pcs.	10 pcs.	10 pcs.
<b>D</b> #12-24 rack screws	4 pcs.	4 pcs.	8 pcs.
<b>E</b> M5 x 0.8 screw nuts	4 pcs.	4 pcs.	4 pcs.

**B**



**C**



**D**



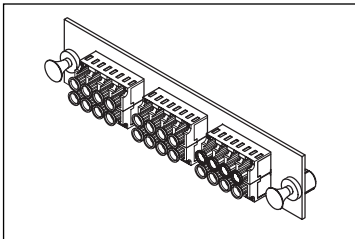
**E**



## F E A T U R E S A N D B E N E F I T S

- Enclosures are designed with a slide out tray with front and rear metal covers
- Made of durable 18 gauge steel with a black powder coated finish
- Available in 1, 2 and 4 RMS
- Holds adapter panels or MPO cassettes: 1 RMS holds 3, 2 RMS holds 6 and 4 RMS holds 12
- Holds splice trays: 1 RMS holds 2, 2 RMS holds 3 and 4 RMS holds 5
- \*1 RMS (rack mount space) = 1.75" height

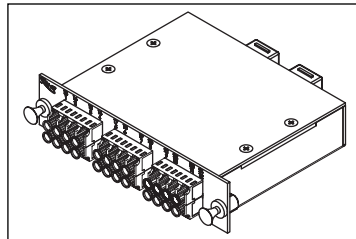
## O P T I O N A L A C C E S S O R I E S



**LC HD 10G Fiber Adapter Panel**

**ICFOPL161G** 6 LC quad aqua adapters, 24 fibers

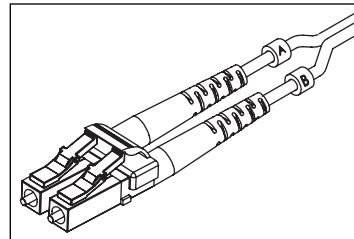
- LC to LC
- 10G aqua adapters
- Metal sleeves
- Supports multimode



**LC HD 10G Fiber MPO Cassettes**

**ICFC24ML1G** 6 LC quad aqua adapters, 24 fibers  
**ICFC12ML1G** 6 LC duplex aqua adapters, 12 fibers

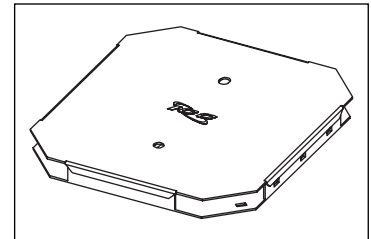
- LC to LC
- 10G aqua adapters
- 50/125µm (OM3)
- Metal sleeves
- Supports multimode



**LC 10G Fiber Jumpers**

**ICFOJ1G6zz<sup>1</sup>** Simplex  
**ICFOJ1G7zz<sup>1</sup>** Duplex

- LC to LC
  - 50/125µm (OM3)
  - OFNR riser rated cable
  - Supports multimode
- Length (zz<sup>1</sup>) = 01, 02, 03, 05, 07, 10 meters



**Splice Tray**

**ICFOSKFM12**  
• Supports 12 fiber splices