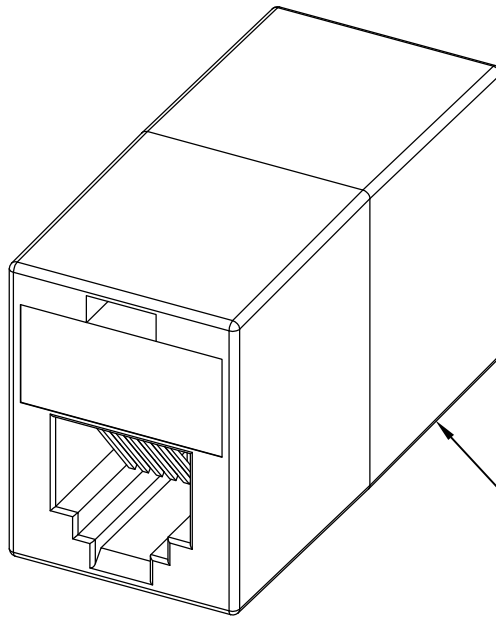


6P6C RJ-11 Voice Modular Coupler, PIN 1-6

PRODUCT SPECIFICATION

Package includes:

- A. 6P6C RJ-11 Voice Modular Coupler, 1 pc



6P6C RJ-11 Voice Modular Coupler

Features and Benefits:

- Provides pin 1-6 RJ-11 voice coupling
- Used with ICLC4 and ICLC6 line cords
- Available in ivory
- ANSI/TIA-568-C and UL 1863 compliant

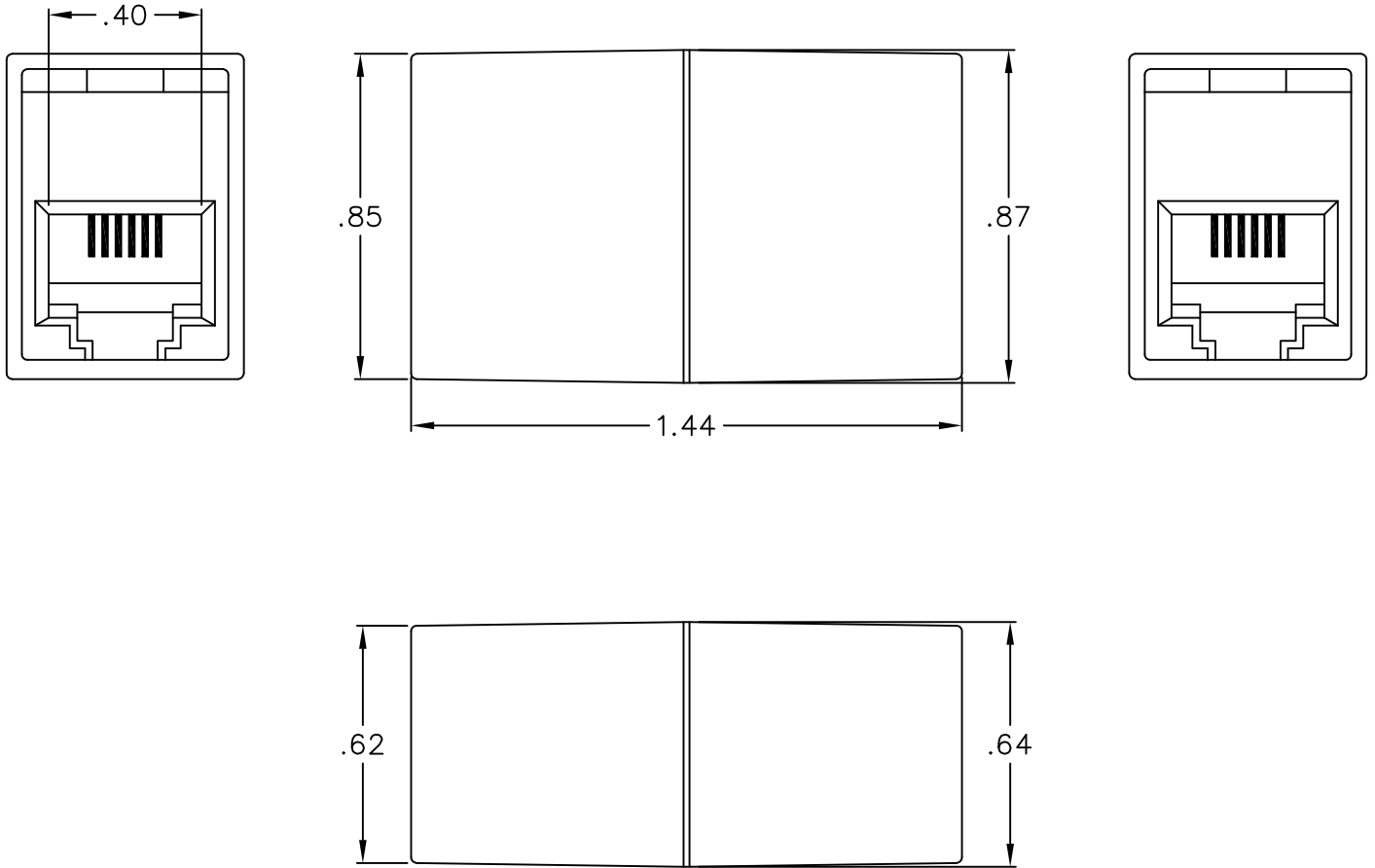
MODULAR COUPLER, VOICE 6P6C, PIN 1-1

ITEM NO.	ICMA350A6C
DWG NO.	PSMA350A6C

REV.	A
PAGE NO.	1



CUSTOMER CARE / TECHNICAL SUPPORT * CSR@ICC.COM / 888-ASK-4-ICC (275-4422) * 2100 E. Valencia Dr, Suite D, Fullerton, CA 92831 * www.icc.com



NOTE: UNLESS OTHERWISE SPECIFIED

1. MATERIAL & FINISH:
- A. HOUSING: ABS, UL 94V-0
 - B. COLOR: IVORY
 - C. CONTACT: PHOSPHOR BRONZE GOLD PLATING
OVER 100 MICRO INCH NICKLE
 - D. GOLD PLATING: 1.27 MICRON/50 MICRO INCH MIN

WIRING DIAGRAM :

6 CONDUCTORS	
PIN	PIN
1	6
2	5
3	4
4	3
5	2
6	1

UL US FILE NO. 125268

MODULAR COUPLER, VOICE 6P6C, PIN 1-1			
ITEM NO.	ICMA350A6C		REV. A
DWG NO.	PSMA350A6C	PAGE NO.	2

CUSTOMER CARE / TECHNICAL SUPPORT * CSR@ICC.COM / 888-ASK-4-ICC (275-4422) * 2100 E. Valencia Dr, Suite D, Fullerton, CA 92831 * www.icc.com