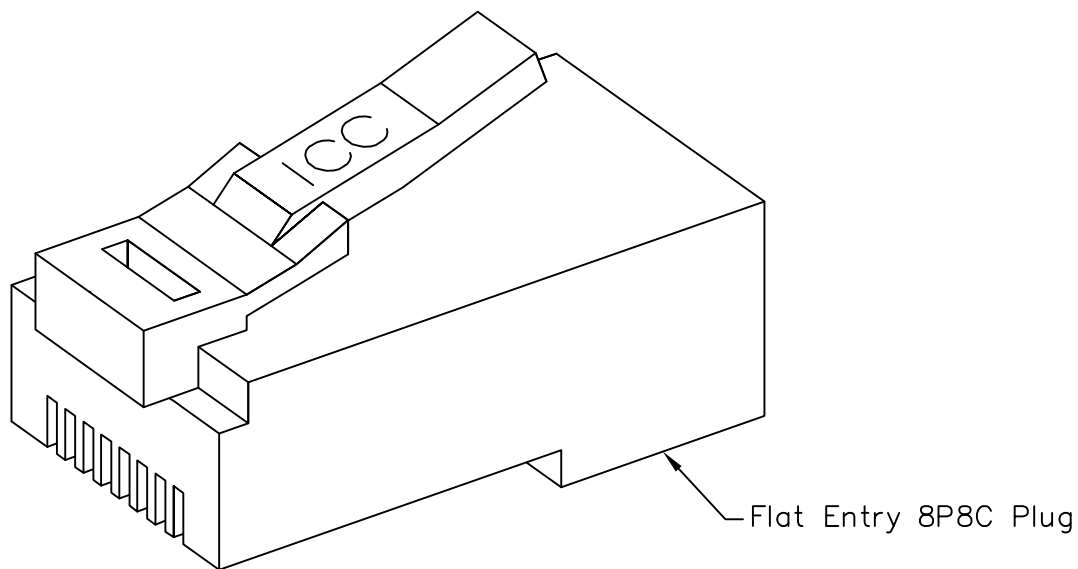


Flat Entry 8P8C RJ-45 Plug (Stranded Wires)

PRODUCT SPECIFICATION

Package includes:

A. Flat Entry 8P8C Plug, 100 pcs



Features and Benefits:

- Designed for 8-position 8-conductor, stranded wires, flat line cord entry
- Ideal for customization of cords for voice or data applications
- Accepts 28~24 AWG stranded wires
- Used with ICACSCT845 and ICACSCT864 crimping tool
- UL recognized

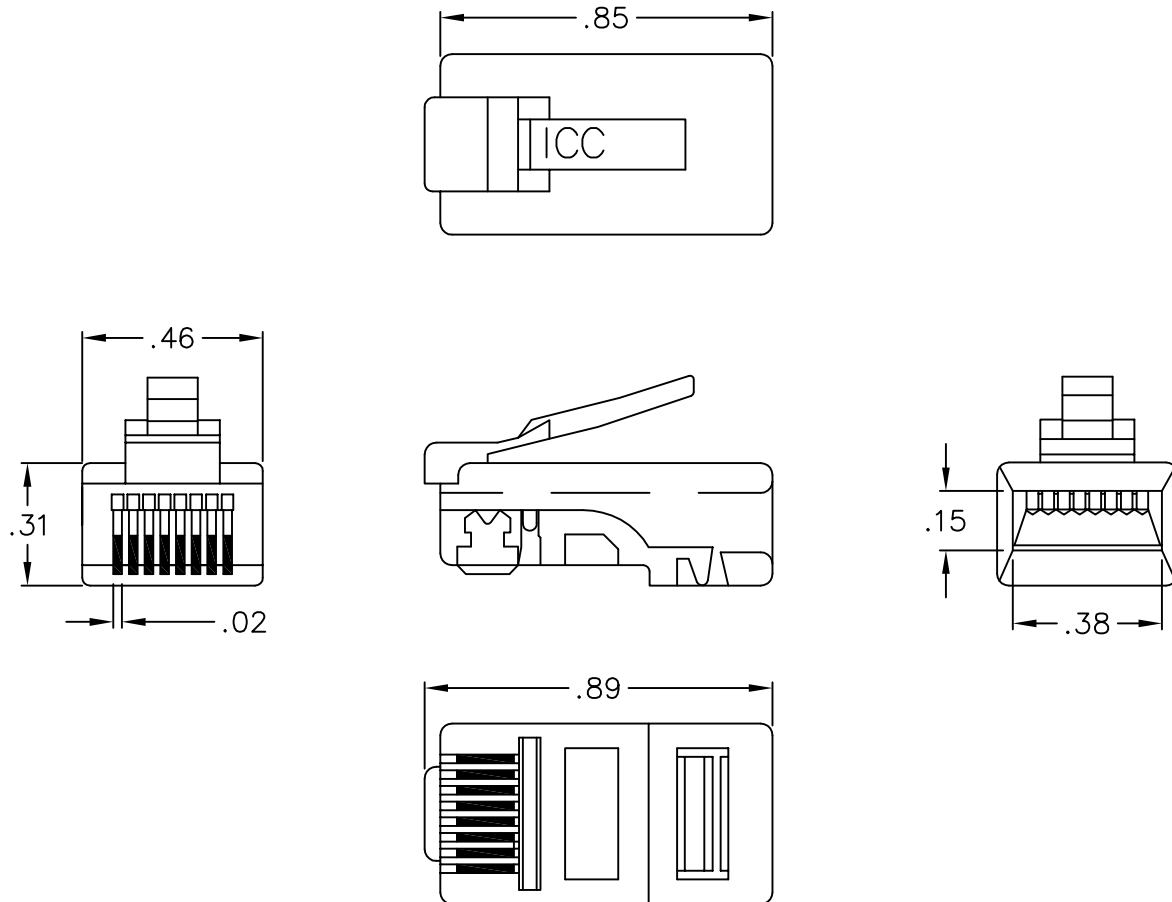
PLUG, 8P8C, FLAT ENTRY, STRANDED, 100 PK

ITEM NO.	ICMP8P8CFT
DWG NO.	PSMP8P8CFT

REV.	A
PAGE NO.	1



CUSTOMER CARE / TECHNICAL SUPPORT * CSR@ICC.COM / 888-ASK-4-ICC (275-4422) * 14700 Alondra Blvd., La Mirada, CA 90638 * www.icc.com



NOTE: UNLESS OTHERWISE SPECIFIED

1. ELECTRICAL:

- A. UL APPLICATIONS: RATED 2A, 150V
- B. DIELECTRIC WITHSTANDING VOLTAGE: 500 VOLTS AC
- C. INSULATION RESISTANCE: 500 MOHMS
- D. TERMINATION RESISTANCE: 35 MILLIOHMS MAX AFTER ENVIRONMENTAL TESTING

2. MECHANICAL:

- A. CABLE-TO-PLUG TENSILE STRENGTH: 20 LBS [89N] MIN
- B. DURABILITY: 200 MATING CYCLES

3. MATERIAL & FINISH:

- A. HOUSING: PC, UL 94V-2
- B. COLOR: CLEAR
- C. CONTACT: HIGH STRENGTH COPPER ALLOY, GOLD PLATING OVER 100 MICRO INCH NICKEL
- D. GOLD PLATING: 1.27 MICRON/50 MICRO INCH MIN
- E. CONDUCTOR: 24, 26, 28 AWG STRANDED

PLUG, 8P8C, FLAT ENTRY, STRANDED, 100 PK

ITEM NO.	ICMP8P8CFT
DWG NO.	PSMP8P8CFT

REV.	A
PAGE NO.	2



CUSTOMER CARE / TECHNICAL SUPPORT * CSR@ICC.COM / 888-ASK-4-ICC (275-4422) * 14700 Alondra Blvd., La Mirada, CA 90638 * www.icc.com