

# CTP-TLVS29AV

**HD** OVER COAX & UTP

**AIB-IR™ (Auto Intensity & Brightness)**

Equipped with six AIB-IR™ (Auto Intensity & Brightness control), this feature not only has Smart IR™ control (Brightness), but also it has IR intensity control depends on focal length of the lens. This will prevent overly exposed image of IR and halo effect commonly seen on most IR cameras today.



**Induction Defroster™ (Heating line)**

This feature efficiently prevents fog, frost, and any problems may caused by cold weather. Currently only equipped on our outdoor dome cameras with AIB-IR™ technology.



**Optional 5-50mm Megapixel Lens**

Optional 5-50mm Megapixel Lens allow users to install on wide variety areas and environment.



**IDP™ Isolation Dual Power**

Our patent pending IDP™ Isolation power will provide power to the camera more efficiently and safely by protecting the camera from surge, ground noise, and etc. (Available on DC12V/24VAC models only)



**FOCUS ASSISTOR™**

Focus Assistor™ is a very unique feature that uses same thickness filter as the dome cover to help focusing easy and clear. Focus Assistor™ is very useful tool on 5-50mm zoom lens to make the camera in perfect focus.



**Dual HD Video Output**

Both EX-SDI/HD-SDI and HD-TVI output provide Full HD @ 30fps real-time video simultaneously. This feature allows to connect up to 2 High Definition DVR's or 1 High Definition DVR and 1 Live High Definition TV/Monitor at the same time.

**2pcs Design Junction Box**

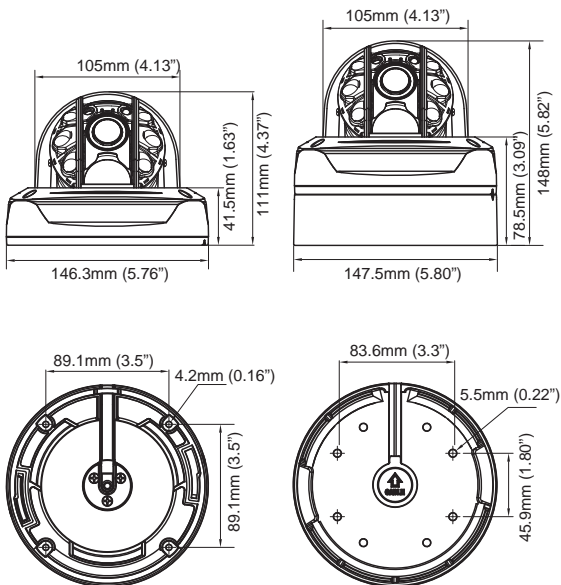
Included junction box makes easy to store cable connections. Flat surface of a camera bottom will also allow camera to be installed without junction box if necessary.



**Vandal Proof Dome** The camera housing is made with industrial strength steel-alloy metal with high quality poly-carbon dome cover protecting from most severe vandalism.

**DIMENSION**

\* Unit : mm (Inch)



**SPECIFICATION**

DESCRIPTION	NTSC	PAL
IMAGE SENSOR	1/2.9" 2.4MEGAPIXEL SONY EXMOR CMOS	
EFFECTIVE PIXEL	1920 (H) × 1080 (V) = 2.4M	
SCANNING SYSTEM	PROGRESSIVE	
RESOLUTION	FULL HD 1080P	
VIDEO OUTPUT	HD-TVI, EX-SDI/EX-SDI, CVBS (OSD SELECTABLE)	
S/N (Y SIGNAL)	MORE THAN 52dB	
MIN. ILLUMINATION	0.02Lux (SENS-UP X32)	
IRIS ADJUSTMENT	ALC / ELC	
LENS	2.8~12mm / 6~50mm MP DC AUTO IRIS VARIFOCAL LENS (ICR)	
ELECTRONIC SHUTTER	OFF / AUTO (1/30~1/30,000)FLK MANUAL (x2~x30)	OFF / AUTO (1/25~1/25,600)FLK MANUAL (x2~x30)
OSD LANGUAGE	ENG / CHN / CHN[S] / JPN / KOR	
BACKLIGHT COMPENSATION	OFF / HLC / BLC / WDR	
DAY & NIGHT	COLOR / BW / EXTERN / AUTO	
AGC	LEVEL (0~10) ADJUSTMENT	
WHITE BALANCE	AUTO / AUTODEXT / PRESET / MANUAL	
PRIVACY MASKING	ON / OFF (PROGRAMMABLE 16 ZONES)	
DNR	OFF / LOW / MIDDLE / HIGH	
DEFOG	ON / OFF	
ACE	OFF / LOW / MIDDLE / HIGH	
SENS-UP	OFF / X2~X32	
MOTION DETECTION	4 AREA	
DIGITAL EFFECT	OFF / V-FLIP / MIRROR	
DEFECT	LIVE DPC	
COMMUNICATION	UTC	
IR LED	AIB-IR™ : 6PCS	
INPUT VOLTAGE	DC 12V(±10%) / AC 24V DUAL VOLTAGE (OPTIONAL)	
HEATER OPERATION SPECIFICATION	THE INTERNAL TEMPERATURE. OFF : 20° / ON : -20°	
POWER CONSUMPTION	DC IR OFF : 300mA(MAX) / DC IR ON : 800mA(MAX) AC IR OFF : 250mA (MAX) / AC IR ON : 700mA (MAX)	
OPERATING TEMP. / HUM.	-10°C ~ +50°C / MAX 90% RH	
STORAGE TEMP. / HUM.	-20°C ~ +60°C / MAX 90% RH	