

Overview:

The Altronix PMK1 outdoor pole mount kit is designed to simplify the installation of Altronix outdoor rated power supplies and accessories housed in models WP1, WP2, WP3 and WP4 NEMA rated enclosures. The PMK1 can be mounted on 2" to 8" (50.8mm to 203.2mm) diameter round or 5" (127mm) square poles.

Specifications:

- Accommodates 2" to 8" (50.8mm to 203.2mm) diameter round or 5" (127mm) square poles.
- Kit includes:
 - Two (2) powder coated steel mounting brackets.
 - Four (4) stainless steel bolts.
 - Four (4) stainless steel lock washers.
 - Two (2) 39" wormgear quick release straps.

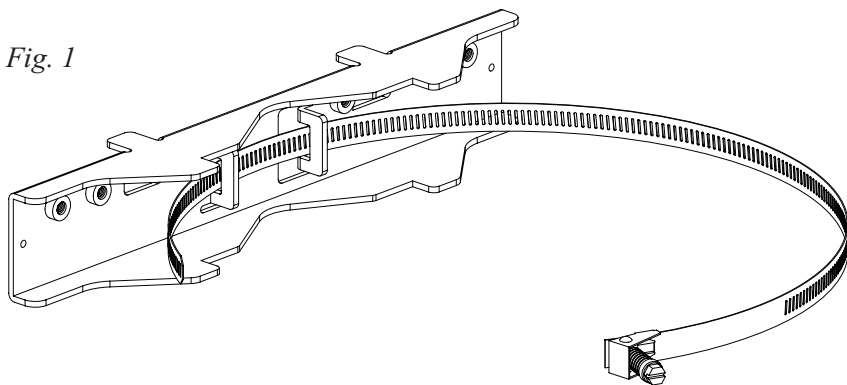
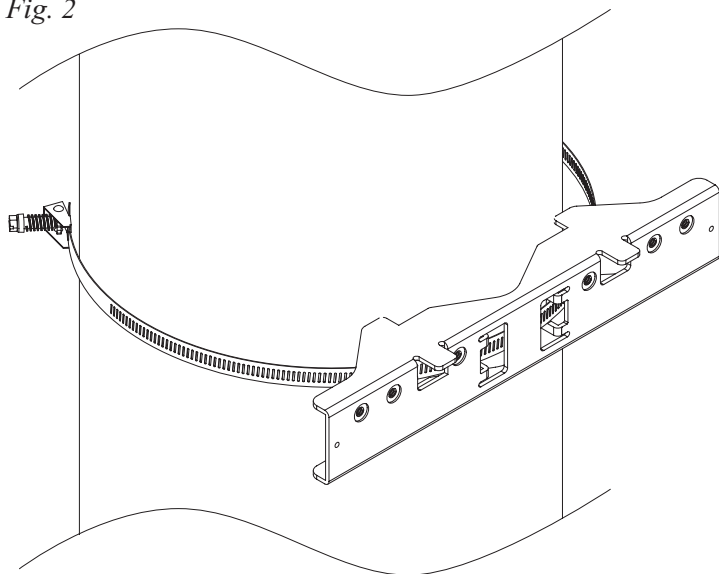
Metal Bracket Dimensions (approx.):

- 1.96" x 12" x 2.25" (49.78mm x 304.8mm x 57.15mm).
- Product weight: 3.5 lbs. (1.59 kg.).
- Shipping weight: 4.0 lbs. (1.81 kg.).

Installation Instructions:

This installation should be made by qualified service personnel. This product contains no serviceable parts. PMK1 is intended for use with Altronix outdoor rated power supplies or accessories housed in WP1, WP2, WP3 and WP4 enclosures. Brackets are designed for use with the Wormgear Quick Release Straps (two included).

1. Thread one (1) wormgear quick release strap through the slots on the back of a mounting bracket (*Fig. 1, pg. 1*).
2. Once the desired height of the top Pole Mount bracket is achieved, tighten the straps down by sliding open end of the strap through the locking mechanism on the strap, then tighten the screw with flat head screwdriver or 5/16" hex socket driver (*Fig. 2, pg. 1*).

Fig. 1*Fig. 2*

3. Attach the bottom bracket to the enclosure by inserting bolts through the flange of the enclosure and into the bracket, tightening bolts with a 7/16" hex socket (*Fig. 4, pg. 2*).
4. Thread the second wormgear quick release strap through the slots on the back of the bottom mounting bracket (*Fig. 4, pg. 2*).
5. Mount enclosure onto the top bracket by inserting bolts through flange of the enclosure and into the bracket, tightening bolts with a 7/16" hex socket (*Fig. 3, pg. 2*).

Fig. 3

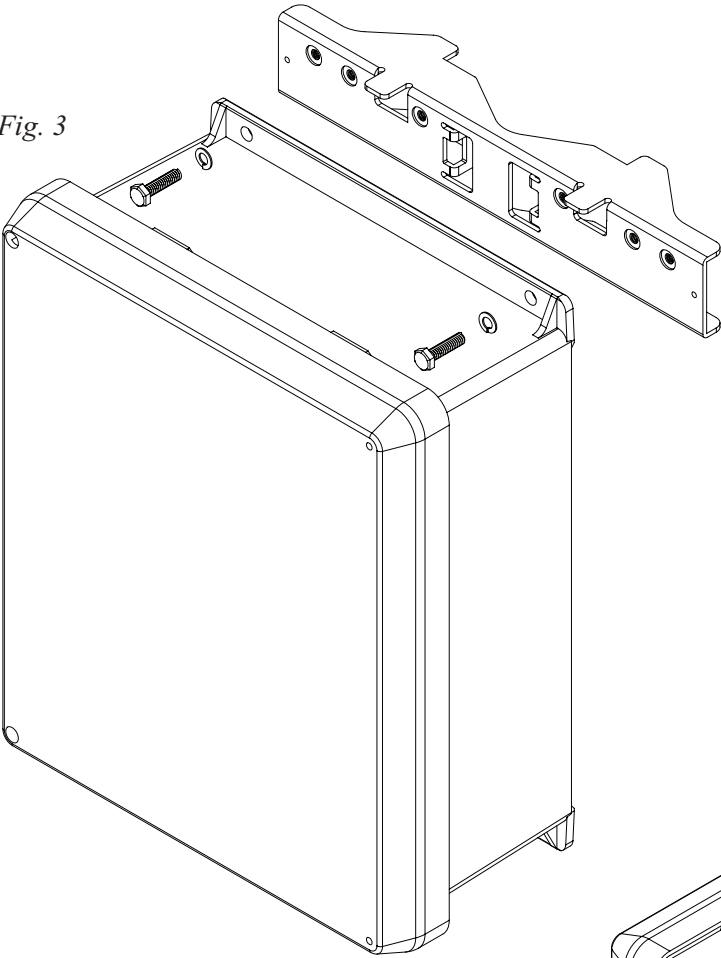
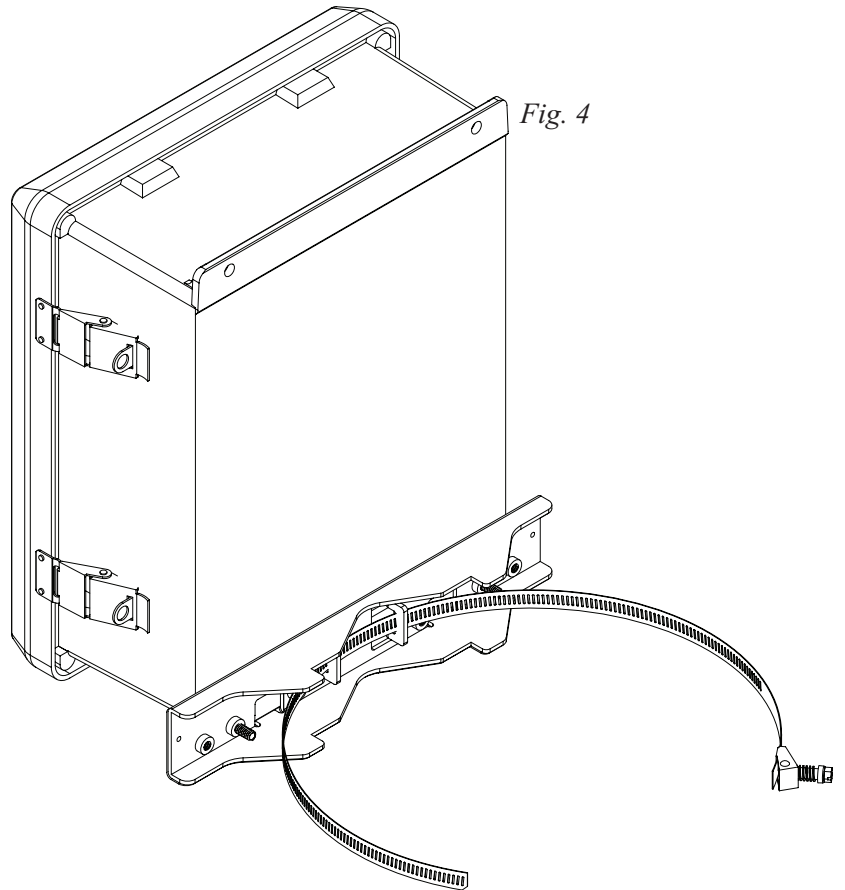


Fig. 4



6. Tighten the straps of the bottom bracket down by sliding the open end of the strap through the locking mechanism on the strap, then tighten screw with flat head screwdriver or 5/16" hex socket driver (*Fig. 5, pg. 3*).
7. Clip excess straps.

*Fig. 5 - 2" to 8" (50.8mm to 203.2mm)
diameter round pole*

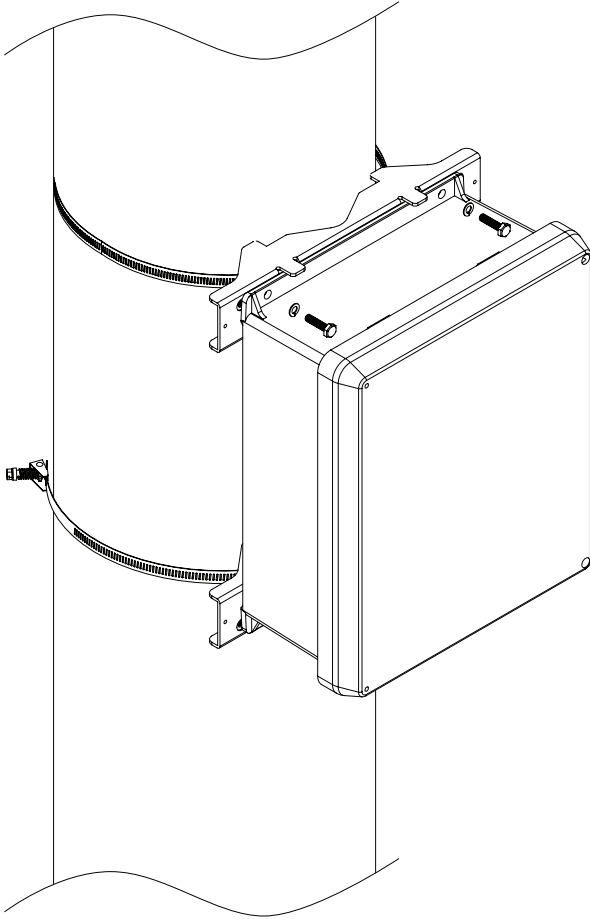
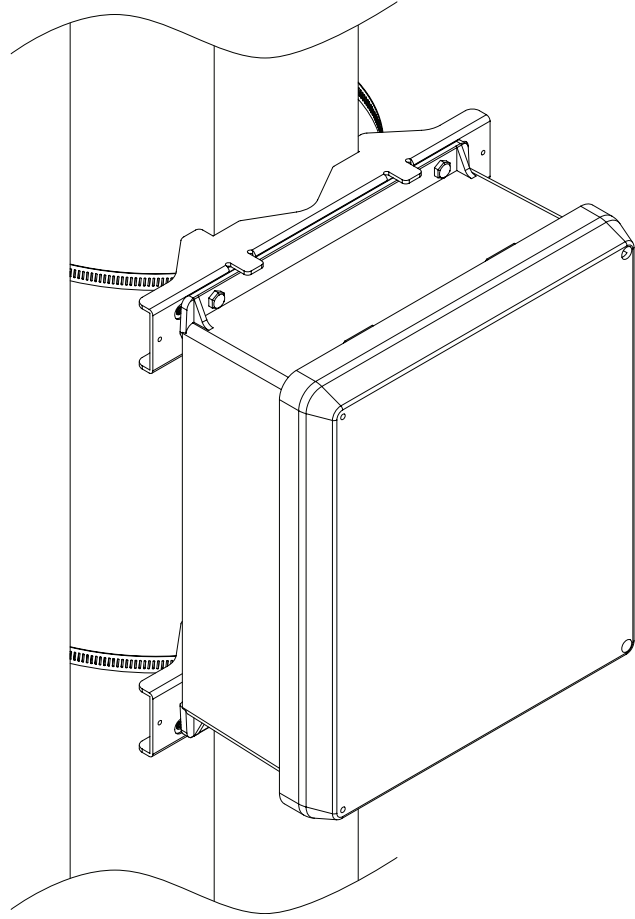


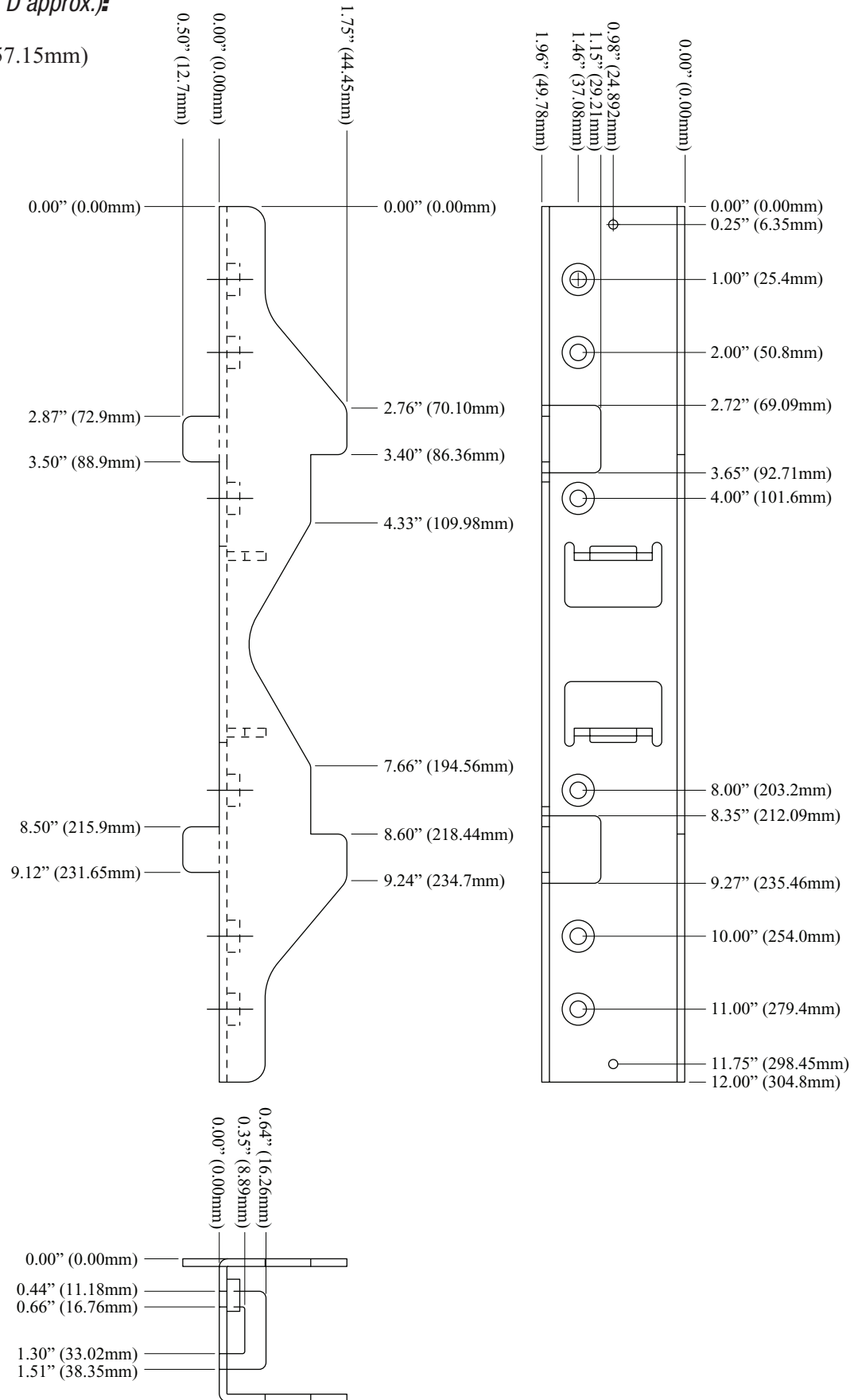
Fig. 5a - 5" (127mm) square pole



Dimensions (H x W x D approx.):

1.96" x 12" x 2.25"

(49.78mm x 304.8mm x 57.15mm)



Altronix is not responsible for any typographical errors. Product specifications are subject to change without notice.

140 58th Street, Brooklyn, New York 11220 USA, 718-567-8181, fax: 718-567-9056

website: www.altronix.com, e-mail: info@altronix.com, Made in U.S.A.

IIPMK1 - Rev. 120214

L10N



PMK1