

### Overview:

Altronix RE2 Rack Mount Battery enclosure offers a convenient way to house up to four (4) 12VDC/7AH batteries in a rack configuration.

### Specifications:

- Battery output PTCs rated @ 12 amp.
- Four (4) individual sets of battery power terminals (external).
- 2U rack mount chassis for use in standard EIA 19" rack.

### Installation Instructions:

1. Mount RE2 in desired rack location.
2. Remove front access panel by rotating thumb screws counter clockwise remove (Fig. 2, pg. 2).
3. Place desired number of sealed lead acid rechargeable batteries in each slot on the bottom of enclosure [BAT1-BAT4] (Fig. 2, pg. 2).
4. Connect battery terminals to each pair of Red [+] and Black [-] battery leads that correspond to terminal blocks [BAT1 - BAT4] (carefully observe polarity).
5. Replace the front access panel by rotating thumb screws clockwise (Fig. 2, pg. 2).
6. Connect charging circuit from single power supply or multiple power supplies in desired configurations [BAT1-BAT4] (carefully observe polarity) (Fig. 1a thru Fig. 1d, below).

Fig. 1

Fig. 1a - Single or multiple 12VDC power supplies.

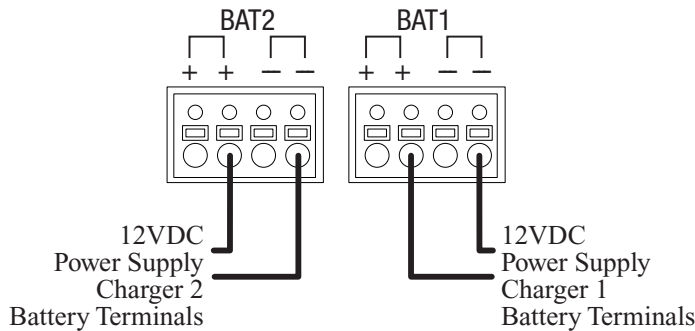


Fig. 1b - Single 12VDC power supply (parallel connection).

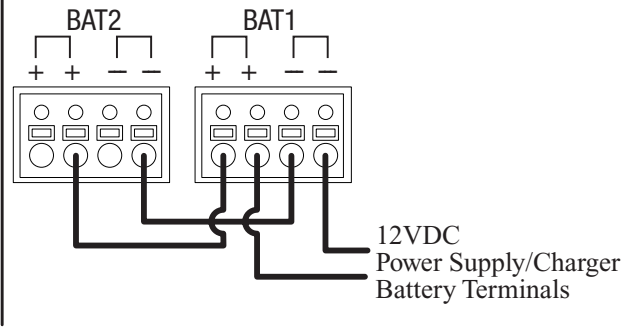


Fig. 1c - Single or multiple 24VDC power supply (series connection).

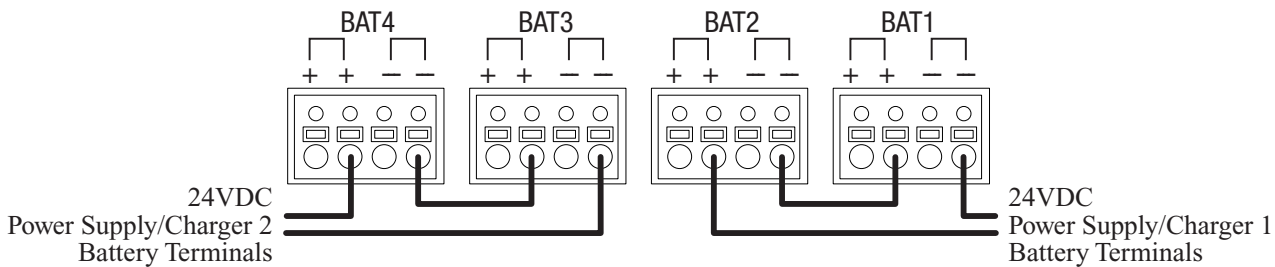
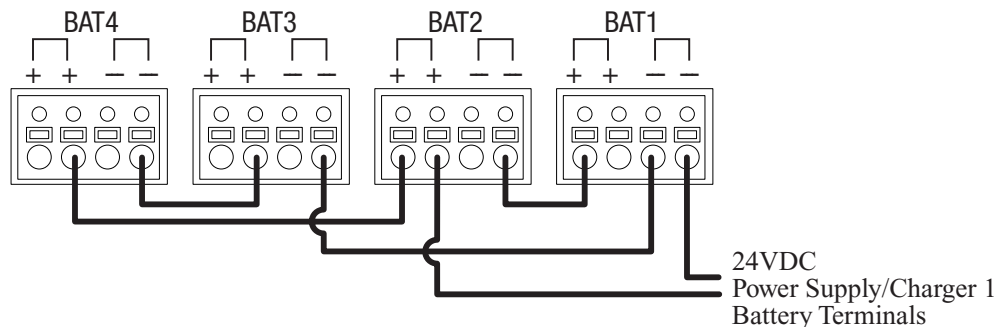


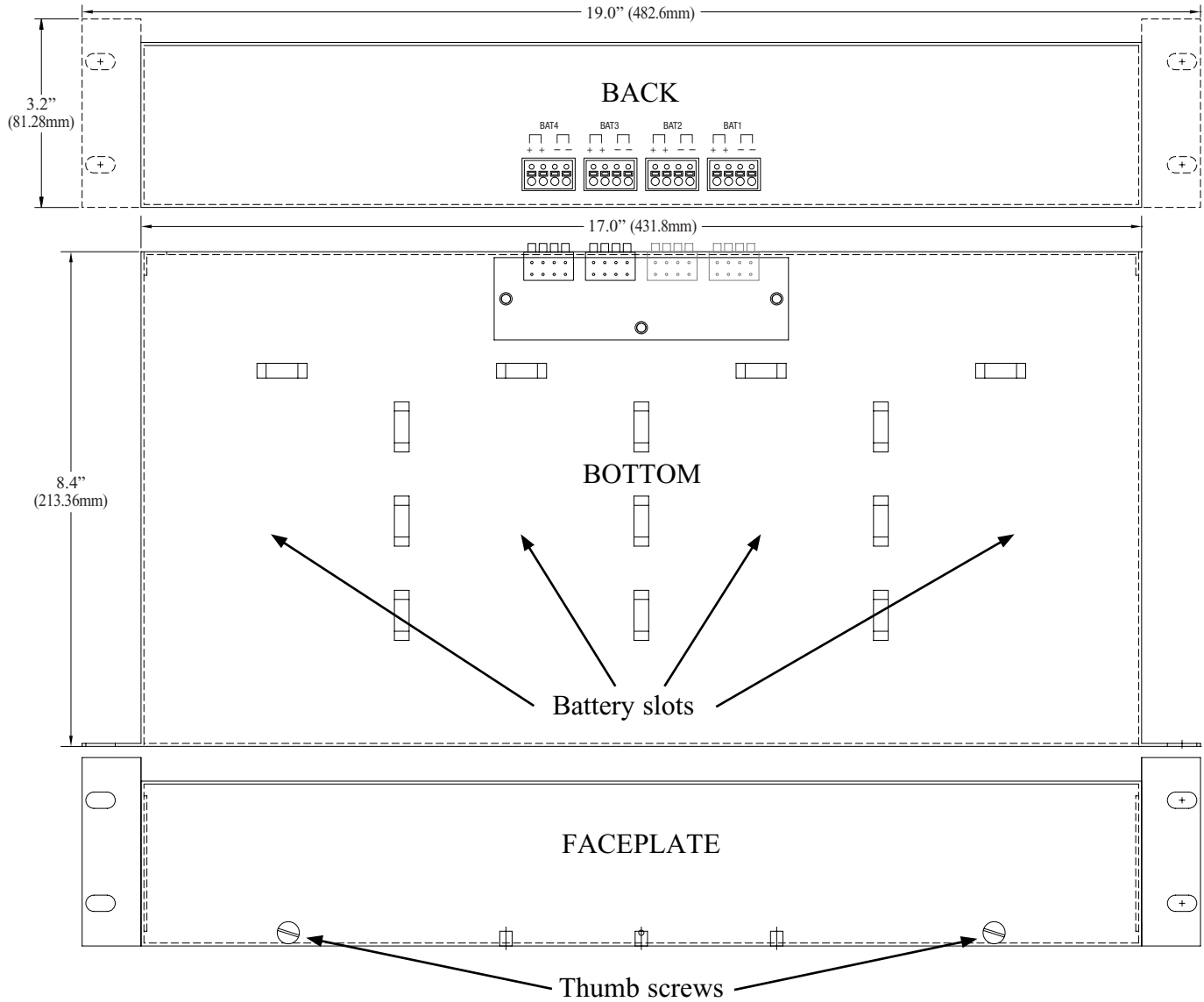
Fig. 1d - Single 24VDC power supply (series parallel connection).



# Rack Mechanical Drawing & Dimensions

3.2"H x 19"W x 8.4"D

Fig. 2



Altronix is not responsible for any typographical errors.

140 58th Street, Brooklyn, New York 11220 USA, 718-567-8181, fax: 718-567-9056  
web site: [www.altronix.com](http://www.altronix.com), e-mail: [info@altronix.com](mailto:info@altronix.com), Lifetime Warranty, Made in U.S.A.  
IIRE2 D30L

