



Power Supply/Chargers

Installation Guide

Models Include:

eFlow102N/eFlow102NX

- 10 amp @ 12VDC

eFlow102N8/ eFlow102NX8

- 10 amp @ 12VDC
- Eight (8) Fused Outputs

eFlow102N16/ eFlow102NX16

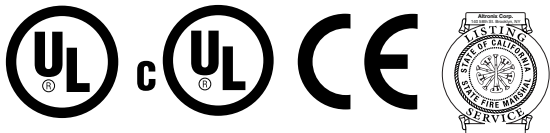
- 10 amp @ 12VDC
- Sixteen (16) Fused Outputs

eFlow102N8D/ eFlow102NX8D

- 10 amp @ 12VDC
- Eight (8) PTC Outputs

eFlow102N16D/ eFlow102NX16D

- 10 amp @ 12VDC
- Sixteen (16) PTC Outputs



Rev. 102NRP052213

More than just power.™

Installing Company: _____ Service Rep. Name: _____

Address: _____ Phone #: _____

Overview:

The eFlow102N power supply/chargers convert a 120VAC / 60Hz input to a 12VDC nominal output (see *Power Supply Configuration Reference Chart and Specifications*).

eFlow102N Series Power Supply Configuration Reference Chart:

Altronix Model Number	Nominal DC Outputs		Maximum Supply Current for Main and Aux. Outputs(amp)	Input Rating: 120VAC, 60Hz	Input Fuse Rating	Battery Fuse Rating	Ripple Voltage (mV) Under low battery condition	Power Distribution Module	Number of Outputs	Fused Outputs Ratings	PTC Outputs Ratings	Accommodates up to 7AH Batteries	Accommodates up to 12AH Batteries
	[DC]	[AUX]											
	12VDC Output Range (volts)	12VDC Output Range (volts)											
eFlow102N	10.03-13.2	10.03-13.2	10A	3.5A	5A/250V	15A/32V	760	N/A	1	-	-	✓	-
eFlow102NX										-	-	-	✓
eFlow102N8	10.03-13.2	10.03-13.2	10A	3.5A	5A/250V	15A/32V	760	PD8UL	8	2.5A	-	✓	-
eFlow102NX8										2.5A	-	-	✓
eFlow102N8D	9.78-13.2	10.03-13.2	10A	3.5A	5A/250V	15A/32V	760	PD8ULCB	8	-	2A	✓	-
eFlow102NX8D										-	2A	-	✓
eFlow102N16	10.03-13.2	10.03-13.2	10A	3.5A	5A/250V	15A/32V	760	PD16W	16	2.5A	-	✓	-
eFlow102NX16								2 - PD8UL		2.5A	-	-	✓
eFlow102N16D	9.78-13.2	10.03-13.2	10A	3.5A	5A/250V	15A/32V	760	PD16WCB	16	-	2A	✓	-
eFlow102NX16D								2 - PD8ULCB		-	2A	-	✓

These units provide non power-limited outputs: eFlow102N, eFlow102NX, eFlow102N8, eFlow102NX8, eFlow102N16 and eFlow102NX16. These units provide power-limited outputs: eFlow102N8D, eFlow102NX8D, eFlow102N16D and eFlow102NX16D. If a power-limited output is required in the end-product application, the DC output from the power supply must be connected to a separately Listed control unit or accessory board that provides power-limited outputs. The product(s) providing the power-limited output(s) must be listed as appropriate for the particular end-product application (fire alarm, burglar alarm, access control), and wired in accordance with the products installation instructions. Class 1 wiring methods, separation of circuits, and proper fire-rated enclosures all must be considered when connecting the DC output of the power supply to the end-product devices. The auxiliary output of these units are power-limited.



UL Listings for US Installations:

- UL 294 - UL Listed for Access Control System Units.
- UL 603 - UL Listed for Power Supplies for Use with Burglar-Alarms Systems.
- UL 1481 - UL Listed for Power Supplies for Fire Protective Signaling Systems.



UL Listings for Canadian Installations:

- ULC-S318-96 - Power Supplies for Burglar Alarm Systems. Also suitable for Access Control.



California State Fire Marshal



CE Approved

Stand-by Specifications:

Battery	Burg. Applications 4 hr. Stand-by/ 15 min. Alarm	Fire Applications 24 hr. Stand-by/ 5 min. Alarm	Access Control Applications Stand-by
7AH	0.4 amp/10 amp	N/A	5 Mins./10 amp
12AH	1 amp/10 amp	0.3 amp/10 amp	15 Mins./10 amp
40AH (for eFlow102NX refer to Fig. 8, pg. 10)	6 amp/10 amp	1.2 amp/10 amp	Over 2 Hours/10 amp
65AH (for eFlow102NX refer to Fig. 8, pg. 10)	6 amp/10 amp	1.5 amp/10 amp	Over 4 Hours/10 amp

Specifications:

Input:

- 120VAC, 60Hz.

Output:

- For output voltage and supply current, refer to *eFlow102N series Power Supply Configuration Reference Chart, pg. 2*.
- Auxiliary Power-Limited output rated @ 1 amp (unswitched).
- Over Voltage Protection.

Battery Backup:

- Built-in charger for sealed lead acid or gel type batteries.
- Maximum charge current 1.54 amp.
- Automatic switch over to stand-by battery when AC fails. Transfer to stand-by battery power is instantaneous with no interruption.

Fire Alarm Disconnect:

- Supervised Fire Alarm disconnect (latching or non-latching) 10K EOL resistor. Operates on a normally open (NO) or normally closed (NC) trigger.

Supervision:

- AC fail supervision (form “C” contacts).
- Battery fail & presence supervision (form “C” contacts).

Supervision (cont'd):

- Low power shutdown. Shuts down DC output terminals if battery voltage drops below 71-73% (depending on the power supply). Prevents deep battery discharge.

Fuse Ratings:

- Refer to *eFlow102N Series Power Supply Configuration Reference Chart, pg. 2*.

Visual Indicators:

- Green AC Power LED indicates 120VAC present.
- AC input and DC output LED indicators.

Additional Features:

- Short circuit and overload protection.
- Unit is complete with power supply, enclosure, battery leads and cam lock.

Enclosure Dimensions (approximate H x W x D):

eFlow102N, eFlow102N8, eFlow102N8D, eFlow102N16, eFlow102N16D:
13.5” x 13” x 3.25” (342.9mm x 330.2mm x 82.55mm)
eFlow102NX, eFlow102NX8, eFlow102NX8D, eFlow102NX16, eFlow102NX16D:
15.5” x 12” x 4.5” (393.7mm x 304.8mm x 114.3mm)

Installation Instructions:

Wiring methods shall be in accordance with the National Electrical Code/NFPA 70/NFPA 72/ANSI, The Canadian Electrical Code, Part 1 and with all local codes and authorities having jurisdiction. The product must be located indoors within the protected premises.

1. Mount unit in desired location. Mark and predrill holes in the wall to line up with the top two keyholes in the enclosure. Install two upper fasteners and screws in the wall with the screw heads protruding. Place the enclosure's upper keyholes over the two upper screws, level and secure. Mark the position of the lower two holes. Remove the enclosure. Drill the lower holes and install the two fasteners. Place the enclosure's upper keyholes over the two upper screws. Install the two lower screws and make sure to tighten all screws (*Enclosure Dimensions, pgs. 11-12*). Secure enclosure to earth ground.

2. Connect unswitched AC power (120VAC 60Hz) to terminals marked [L, N] (*Fig. 1a, pg. 5*). Use 14 AWG or larger for all power connections. Secure green wire lead to earth ground.

Keep power-limited wiring separate from non power-limited wiring (120VAC 60Hz Input, Battery Wires). Minimum 0.25” spacing must be provided.

CAUTION: Do not touch exposed metal parts. Shut branch circuit power before installing or servicing equipment. There are no user serviceable parts inside. Refer installation and servicing to qualified service personnel.

For Fire Alarm applications the outputs are “Special Applications” only, see list (*refer to Appendix A, pg. 12*).

3. Measure output voltage before connecting devices. This helps avoiding potential damage.
4. Connect devices to be powered:
 - a. For eFlow102N/eFlow102NX connect devices to terminals marked [- DC +] (*Fig. 1h, pg. 3*).
 - b. For other Power Distribution Models connect devices to be powered to terminal pairs 1 to 8 marked [1P & 1N] through [8P & 8N] (*Fig. 4a & 4b, pg. 6*) or 1 to 16 marked [1P & 1N] through [16P & 16N] (*Fig. 5a & 5b, pg. 6*) carefully observing correct polarity.For auxiliary device connection this output will not be affected by Low Power Disconnect or Fire Alarm Interface. Connect device to terminals marked [+ AUX -] (*Fig. 1f, pg. 5*).
5. For Access Control applications batteries are optional. When batteries are not used, a loss of AC will result in the loss of output voltage. When the use of stand-by batteries is desired, they must be lead acid or gel type. Connect battery to terminals marked [- BAT +] (*Fig. 1g, pg. 5*). Use two (2) 12VDC batteries connected in series for 24VDC operation (battery leads included). Use batteries - Casil CL1270 (12V/7AH), CL12120 (12V/12AH), CL12400 (12V/40AH), CL12650 (12V/65AH) batteries or UL recognized BAZR2 batteries of an appropriate rating.
6. Connect appropriate signaling notification devices to AC FAIL & BAT FAIL (*Fig. 1b, pg. 5*) supervisory relay outputs.
7. To delay AC reporting for 2 hrs. set dip switch [AC Delay] to OFF position (*Fig. 1c, pg. 5*). To delay AC reporting for 1 min. set dip switch [AC Delay] to ON position (*Fig. 1c, pg. 5*).

Note: Must be set to ON position for Burglar Alarm Applications.

8. To enable Low Output Power Shutdown set dip switch [Shutdown] to ON position (*Fig. 1c, pg. 5*).
To disable Low Output Power Shutdown set dip switch [Shutdown] to OFF position (*Fig. 1c, pg. 5*).
9. Trigger terminals are end of a line resistor supervised (10k ohms). Opening or shorting trigger terminals will cause [DC] output to shutdown (*Fig. 1d, pg. 5*).
10. Place a jumper for non-latching FACP. A momentary short on these terminals resets FACP latching [Trigger EOL Shutdown] (*Fig. 1e, pg. 5*).
11. For Access Control Applications: mount UL Listed tamper switch (Sentrol model 3012 or equivalent) at the top of the enclosure. Slide tamper switch bracket onto the edge of the enclosure approx. 2" from the right side (*Fig. 5, pg. 7 or Fig. 7, pg. 9*). Connect tamper switch wiring to the Access Control Panel input or the appropriate UL Listed reporting device.

Wiring:

Use 18 AWG or larger for all low voltage power connections.

Note: Take care to keep power-limited circuits separate from non power-limited wiring (120VAC, Battery).

Maintenance:

Unit should be tested at least once a year for the proper operation as follows:

Output Voltage Test: Under normal load conditions, the DC output voltage should be checked for proper voltage level eFlow102N: 12VDC nominal rated @ 10 amp max.

Battery Test: Under normal load conditions check that the battery is fully charged, check specified voltage (12VDC @ 13.2) both at the battery terminal and at the board terminals marked [- BAT +] to ensure that there is no break in the battery connection wires.

Note: Maximum charging current under discharges is 1.54 amp.

Note: Expected battery life is 5 years; however, it is recommended changing batteries in 4 years or less if needed.

LED Diagnostics:

Power Supply/Charger

Red (DC)	Green (AC/AC1)	Power Supply Status
ON	ON	Normal operating condition.
ON	OFF	Loss of AC. Stand-by battery supplying power.
OFF	ON	No DC output.
OFF	OFF	Loss of AC. Discharged or no stand-by battery. No DC output.

Power Distribution Module

Green (AC)	Power Distribution Module Status
ON	Normal operating condition.
OFF	No Power Output.

Terminal Identification:

Power Supply/Charger

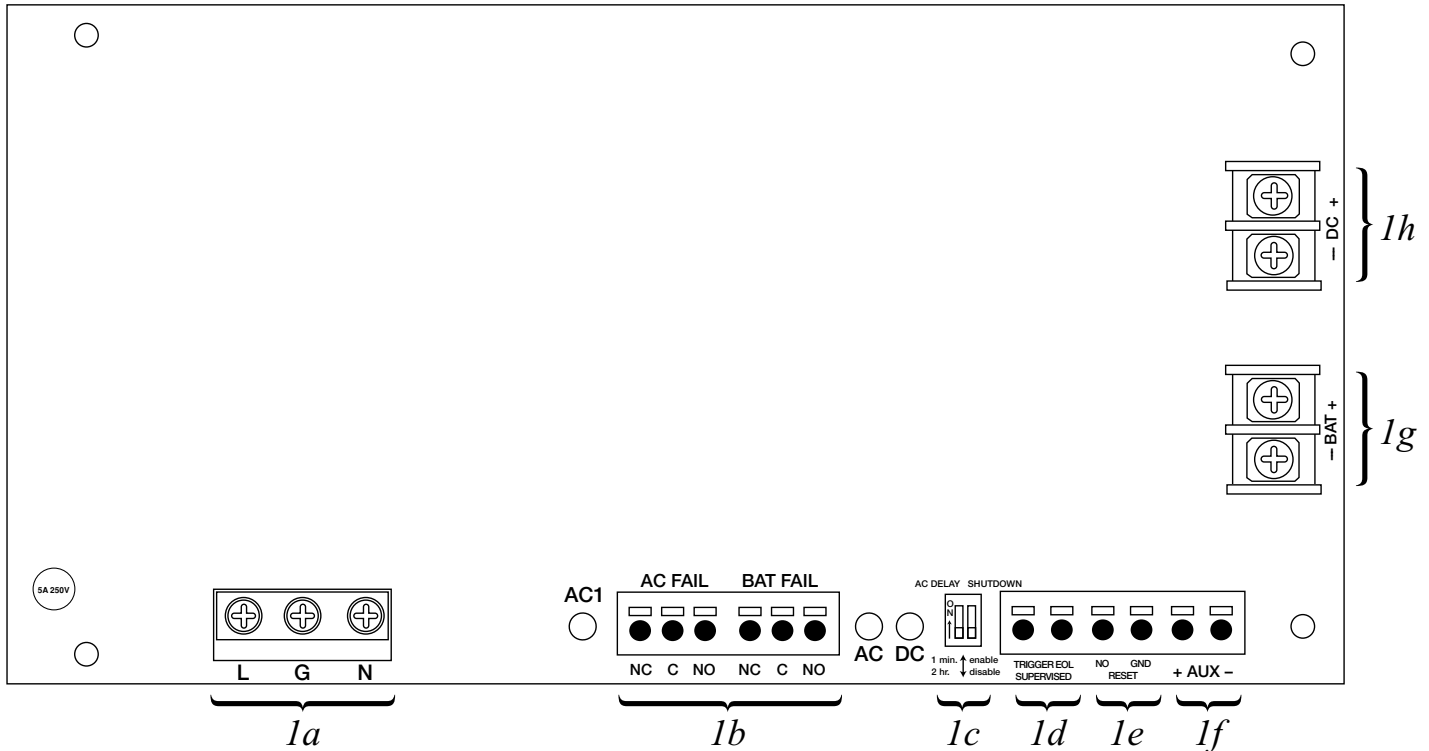
Terminal Legend	Function/Description
L, N	Connect 120VAC 60Hz to these terminals: L to hot, N to neutral (non power-limited) (<i>Fig. 1a, pg.5</i>).
- DC +	12VDC nominal @ 10 amp continuous output (non power-limited output) (<i>Fig. 1h, pg. 5</i>).
Trigger EOL Supervised	Fire Alarm Interface trigger input from a short or FACP. Trigger inputs can be normally open, normally closed from an FACP output circuit (power-limited input) (<i>Fig. 1d, pg. 5</i>).
NO, GND RESET	FACP interface latching or non-latching (power-limited) (<i>Fig. 1e, pg. 5</i>).
+ AUX -	Auxiliary Power-Limited output rated @ 1 amp (unswitched) (power-limited output) (<i>Fig. 1f, pg. 5</i>).
AC Fail NC, C, NO	Indicates loss of AC power, e.g. connect to audible device or alarm panel. Relay normally energized when AC power is present. Contact rating 1 amp @ 30VDC (power-limited) (<i>Fig. 1b, pg. 5</i>).
Bat Fail NC, C, NO	Indicates low battery condition, e.g. connect to alarm panel. Relay normally energized when DC power is present. Contact rating 1 amp @ 30VDC. A removed battery is reported within 5 minutes. Battery reconnection is reported within 1 minute (power-limited) (<i>Fig. 1b, pg. 5</i>).
-BAT +	Stand-by battery connections. Maximum charge current 1.54 amp (non power-limited) (<i>Fig. 1g, pg. 5</i>).

Terminal Identification:

Power Distribution Module

Terminal Legend PD8UL/PD8ULCB	Terminal Legend PD16W/PD16WCB	Function/Description
1P to 8P	1P to 16P	Positive DC power outputs.
1N to 8N	1N to 16N	Negative DC power outputs.

Fig. 1 - eFlow102N Board configuration



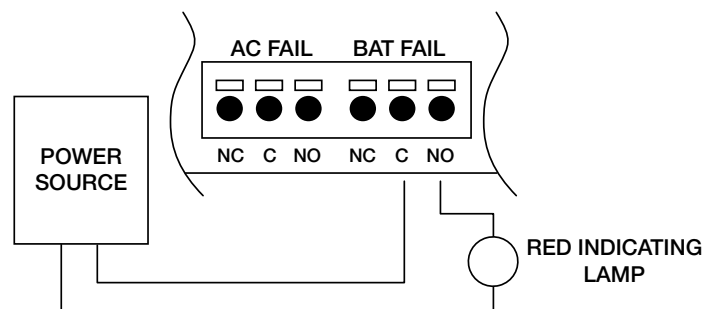
Trouble/Time Limited Warning of Stand-by Batteries:

For compliance with ULC S318-96, the Time Limited Warning circuit must be connected for local or remote annunciation with an Amber or Red LED to indicate DC Trouble (low battery, loss of battery or when 95% of the stand-by battery has been depleted). Connect the circuit to the Batt Fail relay contacts to an appropriate input of a UL Listed Burglar Alarm or Access Control Panel. The following figure shows the circuitry needed for local annunciation.

Fig. 2 - Battery trouble indication -

For Canadian use, a red indicating lamp must be visible from the exterior of this enclosure.

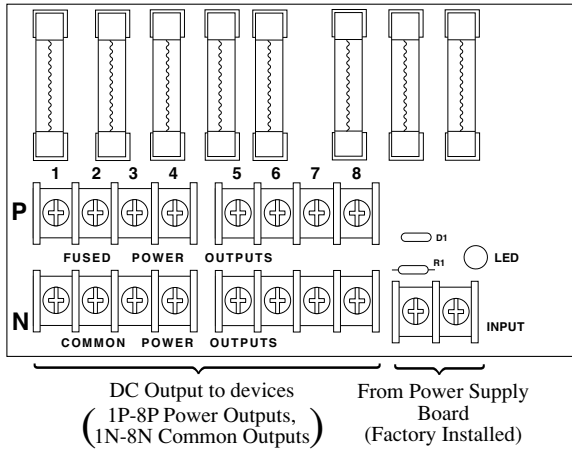
Wire one leg of a UL Listed, power-limited power source to the indicating lamp. Wire the second leg of the power source to the indicating lamp in series with the battery fail relay contact terminals marked [BAT FAIL - C, NO] (Fig. 2, pg. 5).



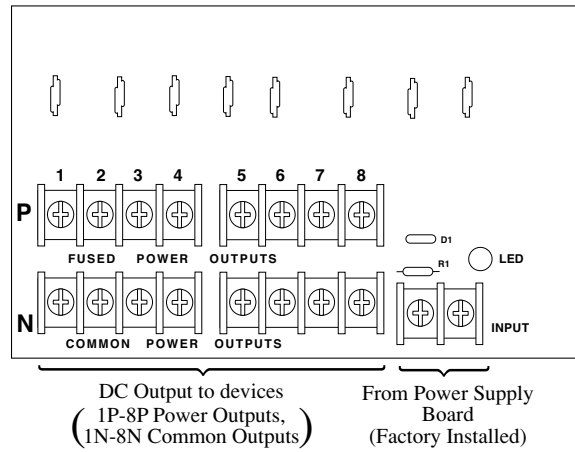
Power Distribution Module(s):

*Fig. 3a - PD8UL Power Distribution Board
Non Power-Limited Outputs*

Replace fuses with the same type and rating 3.5A, 250V.

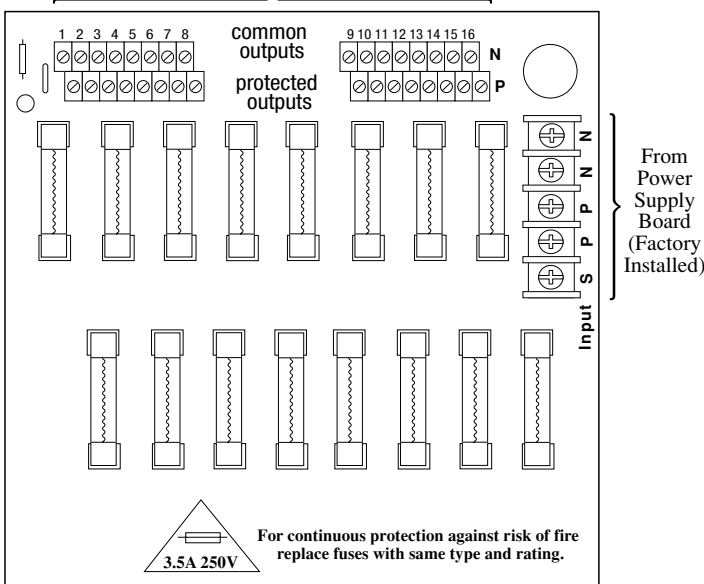


*Fig. 3b - PD8ULCB - Power Distribution Board
Power-Limited Outputs*



*Fig. 4a - PD16W Power Distribution Board
Non Power-Limited Outputs*

DC Output to devices
(1P-16P Power Outputs,
1N-16N Common Outputs)



*Fig. 4b - PD16WCB - Power Distribution Board
Power-Limited Outputs*

DC Output to devices
(1P-16P Power Outputs,
1N-16N Common Outputs)

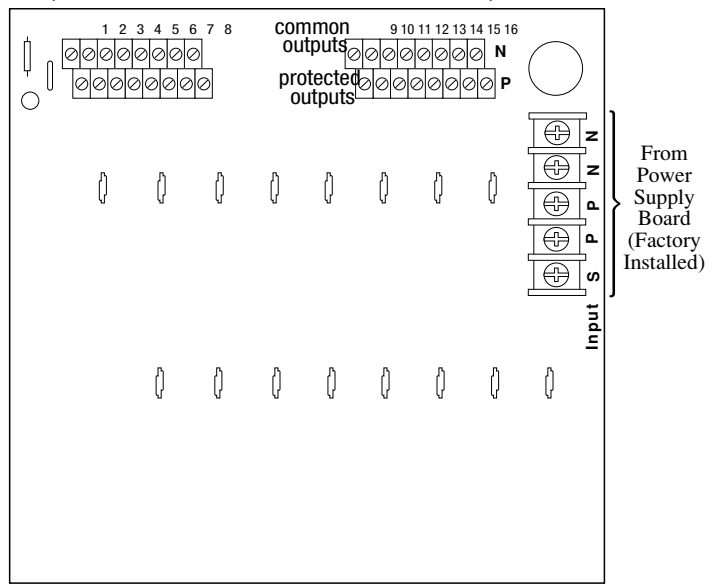
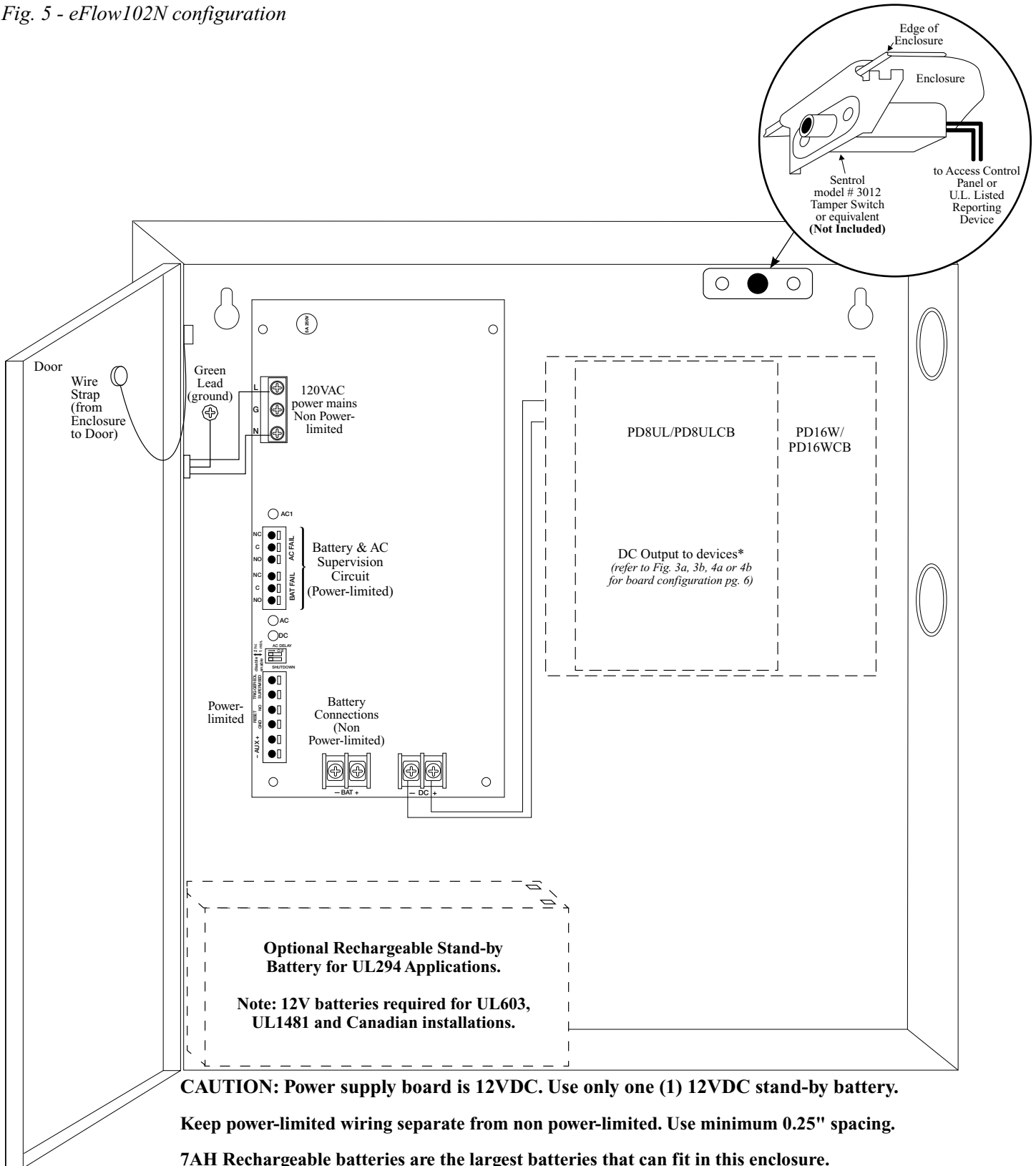


Fig. 5 - eFlow102N configuration



CAUTION: Power supply board is 12VDC. Use only one (1) 12VDC stand-by battery.

Keep power-limited wiring separate from non power-limited. Use minimum 0.25" spacing.

7AH Rechargeable batteries are the largest batteries that can fit in this enclosure.

A UL Listed external battery enclosure must be used if using 12AH, 40AH or 65AH batteries.

***Outputs are non power-limited:** eFlow102N, eFlow102N8, eFlow102N16.

Outputs are power-limited: eFlow102N8D, eFlow102N16D.

NEC Power-Limited Wiring Requirements for eFlow102N Models:

Power-limited and non power-limited circuit wiring must remain separated in the cabinet. All power-limited circuit wiring must remain at least 0.25" away from any non power-limited circuit wiring. Furthermore, all power-limited circuit wiring and non power-limited circuit wiring must enter and exit the cabinet through different conduits. One such example of this is shown below. Your specific application may require different conduit knockouts to be used. Any conduit knockouts may be used. For power-limited applications, use of conduit is optional. All field wiring connections must be made employing suitable gauge CM or FPL jacketed wire (or equivalent substitute).

Optional UL Listed battery enclosure must be mounted adjacent to the power supply via Class 1 wiring methods. For Canadian installations use shielded wiring for all connections.

Note: Refer to wire handling drawing below for the proper way to install the CM or FPL jacketed wire, (Fig. 6a).

Fig. 6

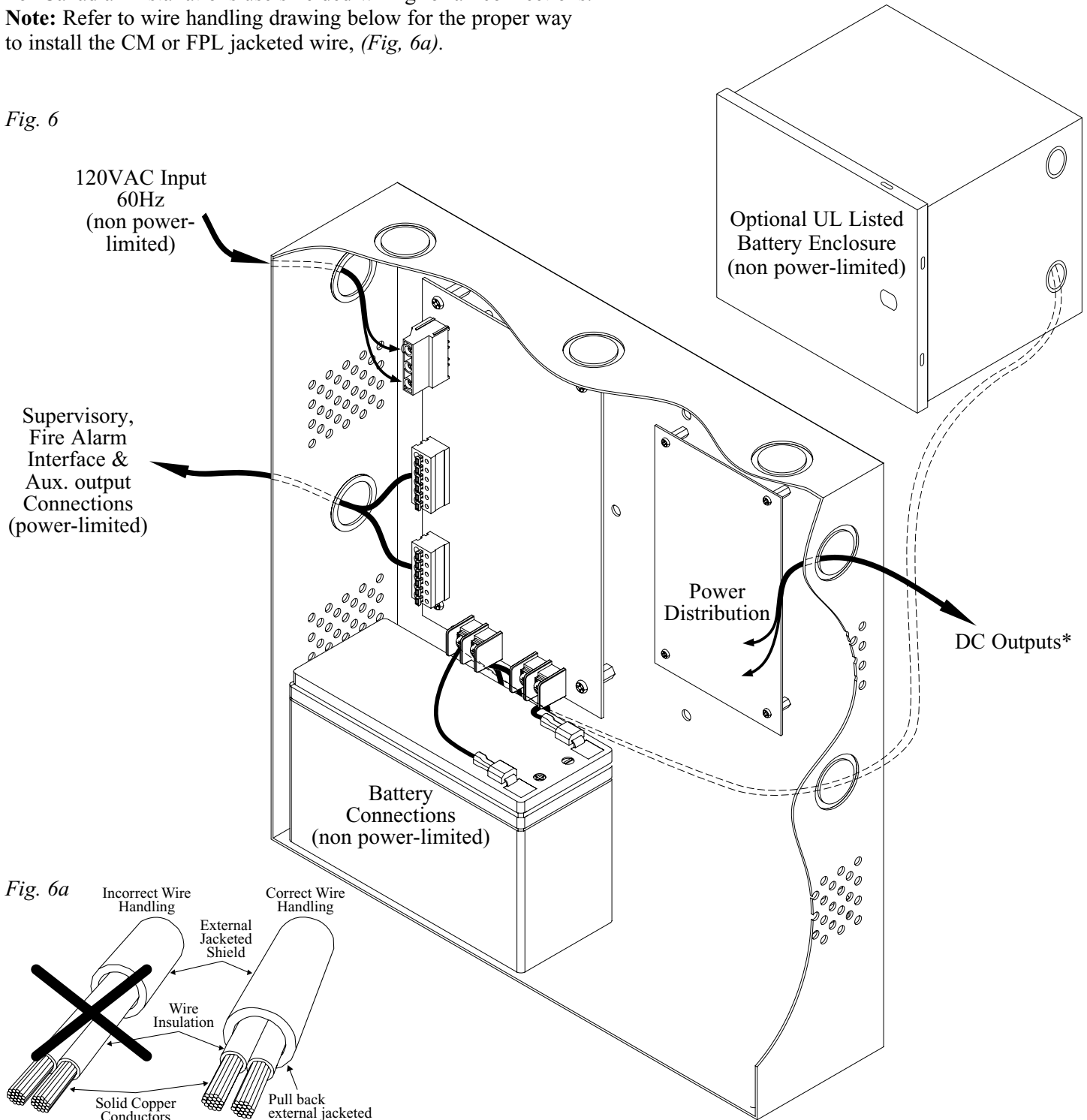
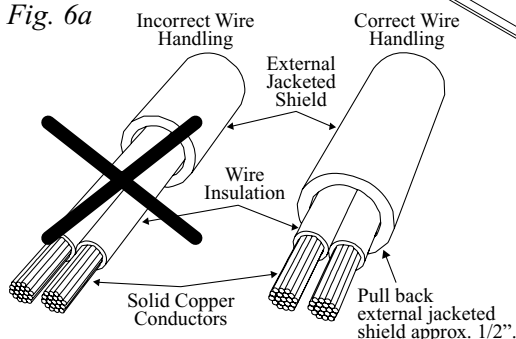


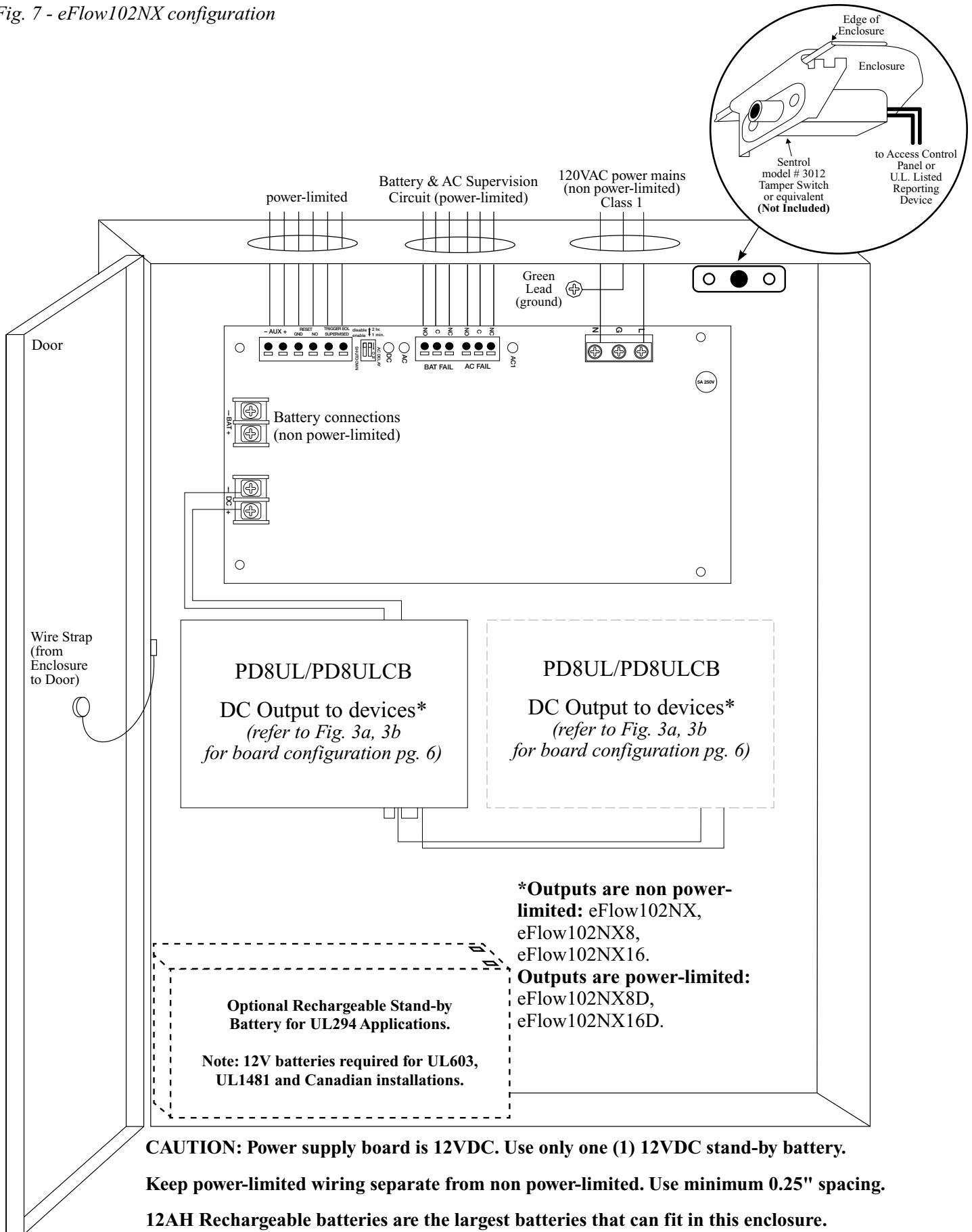
Fig. 6a



***Outputs are non power-limited:** eFlow102N, eFlow102N8, eFlow102N16.

Outputs are power-limited: eFlow102N8D, eFlow102N16D.

Fig. 7 - eFlow102NX configuration



***Outputs are non power-limited:** eFlow102NX, eFlow102NX8, eFlow102NX16.
Outputs are power-limited: eFlow102NX8D, eFlow102NX16D.

CAUTION: Power supply board is 12VDC. Use only one (1) 12VDC stand-by battery.
Keep power-limited wiring separate from non power-limited. Use minimum 0.25" spacing.
12AH Rechargeable batteries are the largest batteries that can fit in this enclosure.
A UL Listed external battery enclosure must be used if using 40AH or 65AH batteries.

NEC Power-Limited Wiring Requirements for eFlow102NX Models:

Power-limited and non power-limited circuit wiring must remain separated in the cabinet. All power-limited circuit wiring must remain at least 0.25” away from any non power-limited circuit wiring. Furthermore, all power-limited circuit wiring and non power-limited circuit wiring must enter and exit the cabinet through different conduits. One such example of this is shown below. Your specific application may require different conduit knockouts to be used. Any conduit knockouts may be used. For power-limited applications, use of conduit is optional. All field wiring connections must be made employing suitable gauge CM or FPL jacketed wire (or equivalent substitute).

Optional UL Listed battery enclosure must be mounted adjacent to the power supply via Class 1 wiring methods. For Canadian installations use shielded wiring for all connections.

Note: Refer to wire handling drawing below for the proper way to install the CM or FPL jacketed wire, (Fig, 8a).

Fig. 8

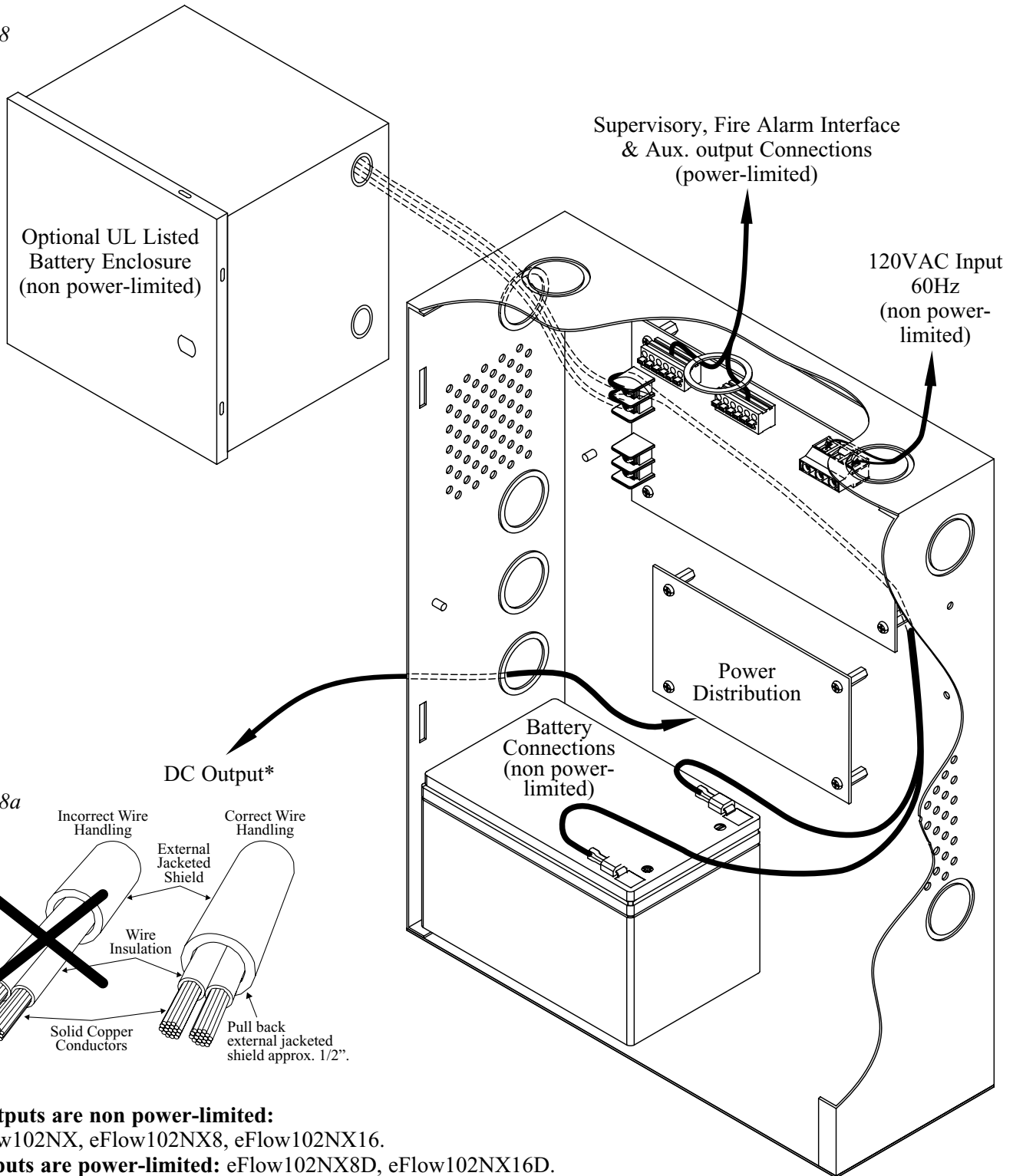
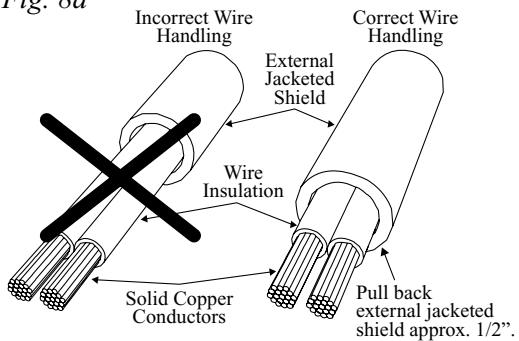


Fig. 8a



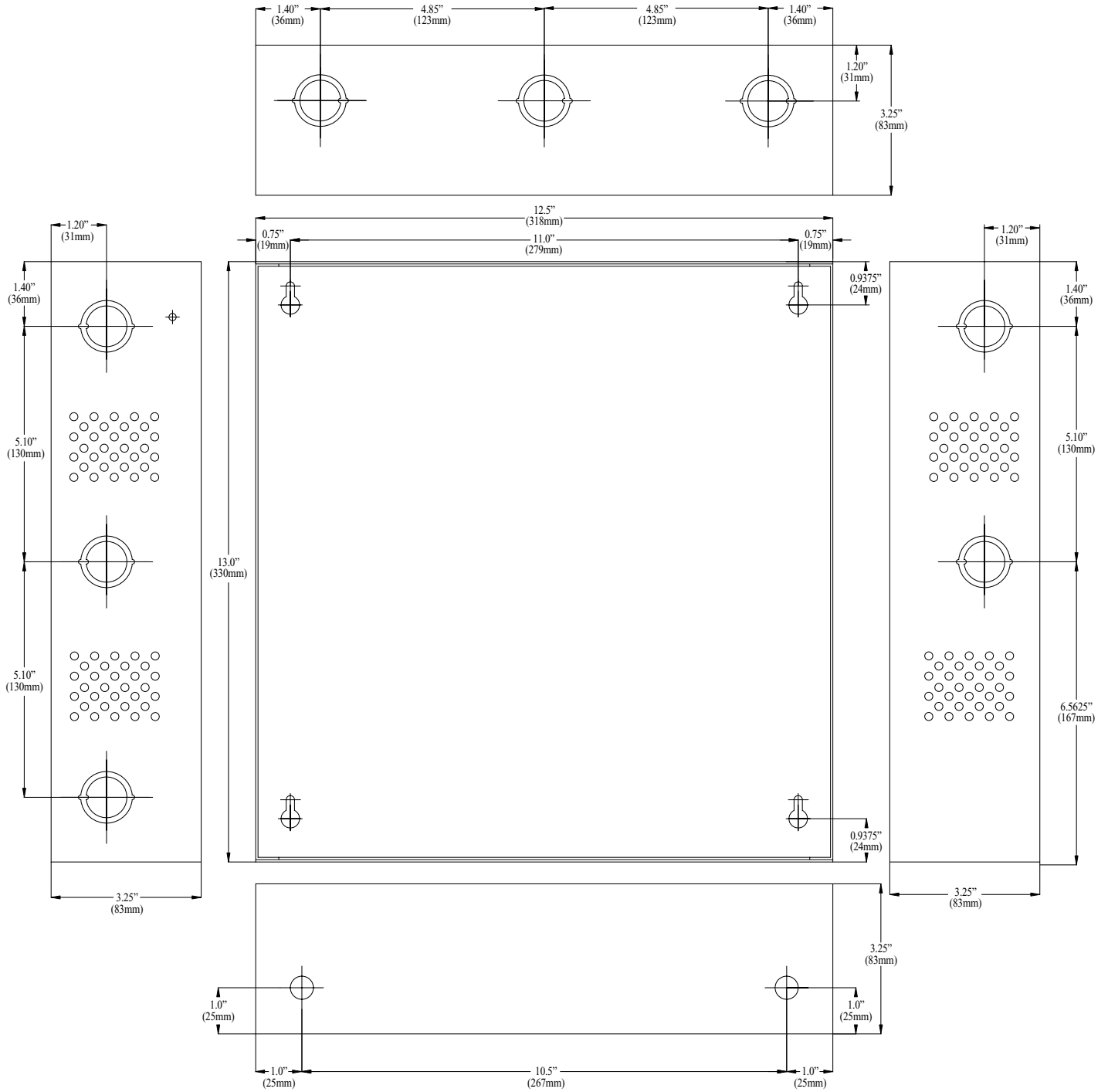
***Outputs are non power-limited:**

eFlow102NX, eFlow102NX8, eFlow102NX16.

Outputs are power-limited: eFlow102NX8D, eFlow102NX16D.

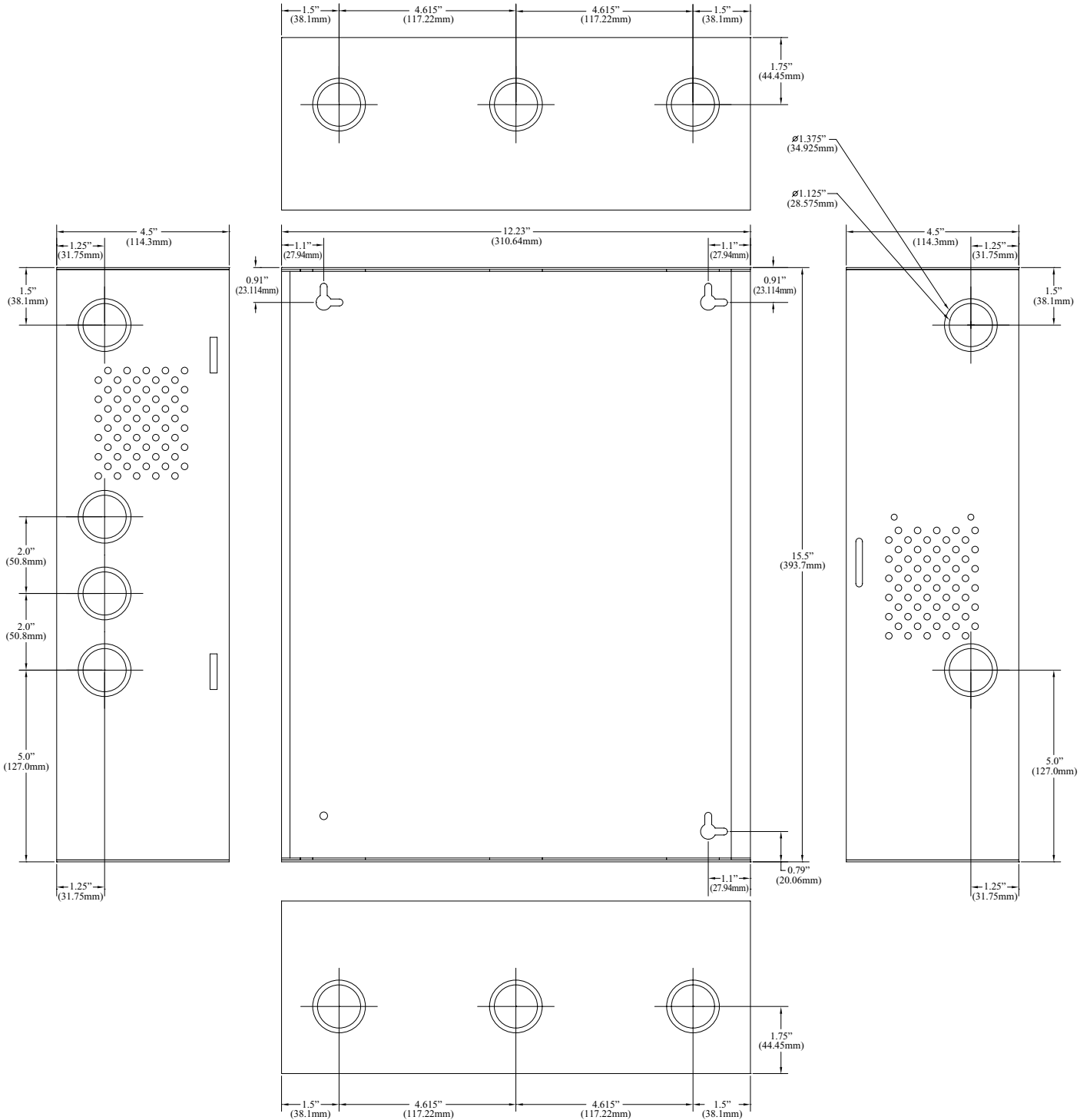
Enclosure Dimensions (BC300) (approximate H x W x D):

eFlow102N, eFlow102N8, eFlow102N8D, eFlow102N16, eFlow102N16D
 13.5" x 13" x 3.25" (342.9mm x 330.2mm x 82.55mm)



Enclosure Dimensions (BC400) (approximate H x W x D):

eFlow102NX, eFlow102NX8, eFlow102NX8D, eFlow102NX16, eFlow102NX16D
 15.5" x 12" x 4.5" (393.7mm x 304.8mm x 114.3mm)



Appendix A - UL Listed Compatible Devices

A.1 Four (4) Wire Smoke Detectors

Table A-1 below lists four (4) wire smoke detectors compatible with *eFlow102N* output.

System Sensor Smoke Detector/Base	Detector Type	Max Stand-by Current (mA)	Alarm Current (mA)
B112LP	Base	0.12	36
B114LP	Base	*	*
B404B	Base	*	*
DH100ACDC	Photoelectric	0.15	0.70
DH100ACDCLP	Photoelectric	0.15	0.70
DH100ACDCLPW	Photoelectric	0.15	0.70
DH400ACDCI	Ionization Duct	25	95
DH400ACDCP	Photoelectric Duct	25	95
1112/24/D	Ionization	0.05	50
1424	Ionization	0.10	41
1451 (w/B402B Base)	Ionization	0.10	39
2112/24ATR	Photoelectric	0.50	60/70
2112/24AITR	Photoelectric	0.50	60/70
2112/24/D	Photoelectric	0.05	50
2112/24T/D	Photoelectric w/135° Thermal	0.05	50
2112/24TSRB	Photoelectric w/135° Thermal Supervisory Relay	15	45
2312/24TB	Photoelectric	0.12	50
2412 (12 volt)	Photoelectric	0.12	77
2424	Photoelectric	0.10	41
2451	Photoelectric	0.10	39
2451TH (with/B402B Base)	Photoelectric	0.10	39
2W-MOD	Loop Test/Maintenance Mod.	30	50
4W-B (12/24 volt)	Photoelectric I ³	.05	23
4WT-B (12/24 volt)	Photoelectric I ³ w/Therm	.05	23
4WTA-B (12/24 volt)	I ³ Photo w/Therm/Sounder	.05	35
4WTR-B (12/24 volt)	I ³ Photo w/Therm/Relay	.05	35
4WITAR-B (12/24 volt)	I ³ Photo w/Isolated Therm/Sounder/Relay	.05	50
2W-MOD2	I ³ Loop Test/Maintenance Mod.	.05	*
RRS-MOD	I ³ Reversing Relay/Sync Module	.05	*
6424	Projected Beam	10	28.4
Beam 1224(S)	Projected Beam	17	38.5

* Contact manufacturer for current draws.

A.2 Relays

Table A-2 below lists relays compatible with *eFlow102N* output.

Manufacturer	Model	Current (mA)
System Sensor	EOLR-1	30

Notes:

Notes:

Altronix is not responsible for any typographical errors. Product specifications are subject to change without notice.

140 58th Street, Brooklyn, New York 11220 USA, 718-567-8181, fax: 718-567-9056
website: www.altronix.com, e-mail: info@altronix.com, Made in U.S.A.

IleFlow102N Series

F06N

eFlow102N Series



eFLOW Power Supply/Chargers Operating Guide

Models Include:

Model	Input 120VAC, 60Hz	Output		Auxiliary Power-Limited Output (unswitched)	Ripple Voltage
		12VDC	24VDC		
eFlow102N, eFlow102N8, eFlow102N8D, eFlow102N16, eFlow102N16D	3.5 amp	10 amp	—	1 amp	760mV
eFlow102NX, eFlow102NX8, eFlow102NX8D, eFlow102NX16, eFlow102NX16D					

Overview:

The eFlow102N series power supply/chargers convert a 120VAC, 60Hz input, to a 12VDC output.

Stand-by Specifications:

Battery	Burg. Applications 4 hr. Stand-by/ 15 min. Alarm	Fire Applications 24 hr. Stand-by/ 5 min. Alarm	Access Control Applications Stand-by
7AH	0.4 amp/10 amp	N/A	5 Mins./10 amp
12AH	1 amp/10 amp	0.3 amp/10 amp	15 Mins./10 amp
40AH	6 amp/10 amp	1.2 amp/10 amp	Over 2 Hours/10 amp
65AH	6 amp/10 amp	1.5 amp/10 amp	Over 4 Hours/10 amp

Battery Backup:

- Built-in charger for sealed lead acid or gel type batteries.
- Maximum charge current 1.54 amp.
- Automatic switch over to stand-by battery when AC fails. Transfer to stand-by battery power is instantaneous with no interruption.

LED Diagnostics:

Red (DC)	Green (AC/AC1)	Power Supply Status
ON	ON	Normal operating condition.
ON	OFF	Loss of AC, Stand-by battery supplying power.
OFF	ON	No DC output.
OFF	OFF	Loss of AC. Discharged or no stand-by battery. No DC output.

Installing Company: _____ Service Rep. Name: _____

Address: _____ Phone #: _____

Refer to the eFlow Power Supply/Chargers Installation Guide: IieFlow102N Series, Rev. 102NRP052213 for complete instructions. This sheet is to be removed, framed and posted next to the unit.