



HubSat4WP



Overview

Altronix HubSat4WP Outdoor Passive UTP Transceiver Hub w/Integral Camera Power transmits UTP video, RS422/RS485 data and power over a single CAT-5 or higher structured cable. Unit provides 4 camera channels in a wall mount enclosure. Video transmission range is up to 750 ft. max. per channel. Units are compatible with AC and/or DC fixed or PTZ cameras when utilizing Altronix HubWayAv or HubWayDv Video Balun/Combiners. In addition, the unit features 24VAC or 28VAC PTC protected outputs and surge suppression. Optionally, the HubSat4WP can be used as an accessory module to transmit video from up to 4 cameras over a single CAT-5 or higher structured cable back to the HubWay, HubWayLD or HubWayLDH Passive and Active UTP Transceiver Hubs. In addition, the HubSat4WP powers these cameras locally to eliminate the possibility of voltage drop associated with long cable runs.

Specifications

Input:

- 115VAC 50/60Hz, 1.5 amp.
- Primary fuse (internal) is rated at 3.5 amp/250V.

Output:

- Individually selectable 24VAC or 28VAC power outputs with OFF position.
- Unit provides up to 1 amp max. per channel not to exceed a total of 8 amp (100VA) maximum current.
- Class 2 Rated power-limited outputs.
- PTC protected outputs are rated @ 1 amp per channel.
- Surge suppression.

Video:

- Four (4) channels of video over twisted pair up to a distance of 750 ft. (228.6m) per channel.
- Four (4) 75 ohm video outputs.

Data:

- RS422/RS485 data inputs.

Visual Indicators:

- Four (4) individual power LED indicators.

Accessories:

- Video Balun/Combiners:
 - HubWayAv - for use with 24VAC cameras.
 - HubWayAv2 - for use with 24VAC cameras.
 - HubWayDv - for use with 12VDC cameras.
 - HubWayDvi - for use with 12VDC cameras without isolation.

Mechanical:

- Enclosure Dimensions (H x W x D approx.): 12" x 8" x 6" (304.8mm x 203.2mm x 152.4mm)
- Product weight: 13.75 lbs. (6.24 kg).
- Shipping weight: 14.1 lbs. (6.4 kg).

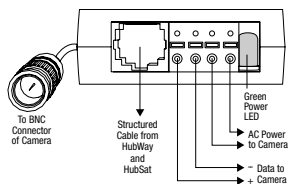
Agency Approvals



Video Balun/Combiners

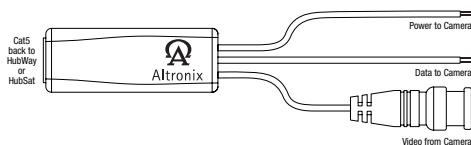
HubWayAv - Video Balun/Combiner

compatible with all HubWay UTP Hubs for AC fixed cameras or PTZs.



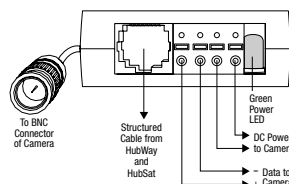
HubWayAv2 - Slim-line Video Balun/Combiner

compatible with all HubWay UTP Hubs for AC fixed cameras or PTZs.



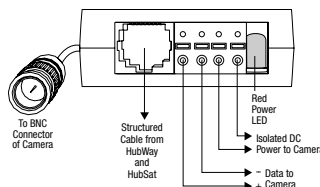
HubWayDv - Video Balun/Combiner

compatible with all HubWay UTP Hubs for DC fixed cameras or PTZs.



HubWayDvi - Video Balun/Combiner

built-in isolation. Compatible with all HubWay UTP Hubs for DC fixed cameras or PTZs. With or without internal isolation.





PMK1

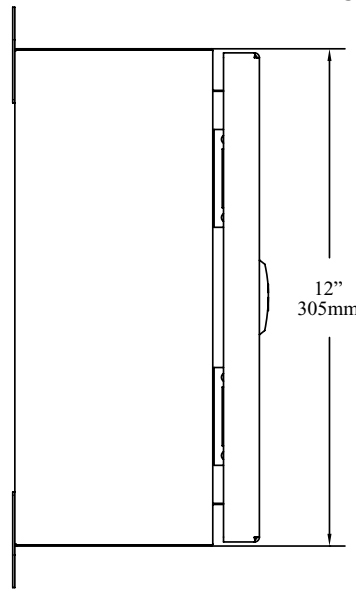
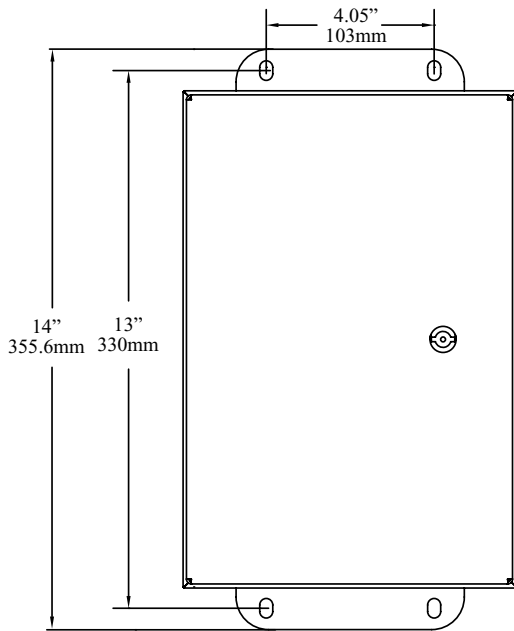
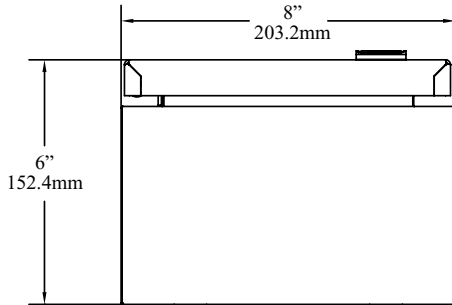
PMK1 Pole Mount Kit (order separately)

PMK1 pole mount kit is designed to simplify installation of outdoor units.

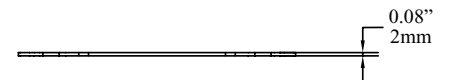
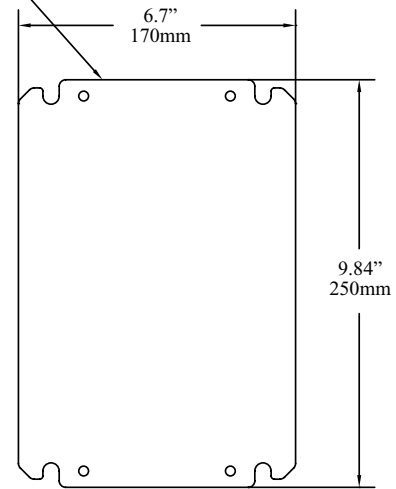
- Accommodates 2"- 8"(diameter) poles.
- Kit includes:
 - Two (2) powder coated steel mount brackets.
 - Four (4) stainless steel bolts.
 - Four (4) stainless steel lock washers.
 - Two (2) wormgear quick release straps.

Enclosure Dimensions (H x W x D approximate):

12" x 8" x 6" (304.8mm x 203.2mm x 152.4mm)



MOUNTING PANEL
GALVANIZED



CARBON STEEL SHEET

