

WAYPOINT

AC Outdoor Power Supplies

Installation Guide

Models Include:

WayPoint30ADU

- 24VAC @ 12.5 amp and/or 28VAC @ 10 amp.
- Two (2) PTC protected outputs.

WayPoint30A4U

- 24VAC @ 12.5 amp or 28VAC @ 10 amp.
- Four (4) fuse protected outputs.

WayPoint30A8U

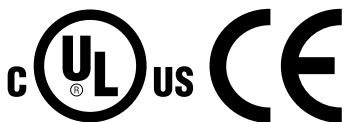
- 24VAC @ 12.5 amp or 28VAC @ 10 amp.
- Eight (8) fuse protected outputs.

WayPoint30A4DU

- 24VAC @ 12.5 amp or 28VAC @ 10 amp.
- Four (4) PTC protected outputs.

WayPoint30A8DU

- 24VAC @ 12.5 amp or 28VAC @ 10 amp.
- Eight (8) PTC protected outputs.



Overview:

WayPoint Outdoor Power Supplies provide 24VAC and/or 28VAC distributed via two (2), four (4) or eight (8) output(s) for powering CCTV Cameras, heaters, and other video accessories.

WayPoint AC Reference Chart:

Altronix Model Number	Output Voltage	Total Output Current (Power)	Number and Type of Outputs	Fuse Output Ratings	PTC Output Ratings	Input Current Draw		Product Weight				
						115VAC 60Hz	230VAC 50Hz					
WayPoint30ADU	24VAC	12.5 amp	2	10 amp/32V	—	3.0 amp	1.5 amp	4.68kg				
	28VAC	10 amp										
	24VAC and 28VAC	10 amp	1 of each									
WayPoint30A4U	24VAC	12.5 amp	4 Fused	5 amp/32V	—			3.0 amp	1.5 amp	4.68kg		
	28VAC	10 amp										
WayPoint30A4DU	24VAC	10 amp	4 PTCs	—	2.5 amp					3.0 amp	1.5 amp	4.68kg
	28VAC	10 amp										
WayPoint30A8U	24VAC	12.5 amp	8 Fused	5 amp/32V	—	3.0 amp	1.5 amp					4.8kg
	28VAC	10 amp										
WayPoint30A8DU	24VAC	12.5 amp	8 PTCs	—	2.5 amp			3.0 amp	1.5 amp			4.8kg
	28VAC	10 amp										

*Lower rated fuses can be used.

Specifications:

Agency Listings:

- UL Listed for Information Technology Equipment (UL 60950-1) and Equipment to be Installed Outdoors (UL 60950-22).
- CE European Conformity.

Input:

- Input: 115VAC 60Hz, 3 amp or 230VAC 50Hz, 1.5 amp.

Output:

- Output options:
 - a. 24VAC or 28VAC.
 - b. Both 24VAC and 28VAC (WayPoint30ADU only).
- Fuse ratings:
WayPoint30A4U and WayPoint30A8U: 5A.

Visual Indicators:

- Individual power output LED indicators.
- Illuminated master power switch.

Features:

- Surge suppression.
- Spare fuses included.

Accessories:


- Optional PMK1 Pole Mount Kit simplifies installation of outdoor units.

Enclosure:

- NEMA 4/4X, IP66-11 Rated enclosure for outdoor use.
- Enclosure Dimensions (H x W x D approx.):
13.31" x 11.31" x 5.59"
(338.074 mm x 287.274 mm x 141.986 mm).

Installation Instructions:

Unit should be installed in accordance with The National Electrical Code and all applicable Local Regulations.

1. Remove back plane from enclosure prior to mounting (do not discard hardware).
2. Mark and drill desired inlets on the enclosure to facilitate wiring (*Fig. 1, pg. 3*).
3. Mount unit in desired location. Mark and drill holes to line up with the top and bottom holes of the enclosure flange. Secure enclosure with appropriate fasteners (*Fig. 5, pg. 7 and Fig. 11, pg. 8*).
4. Mount back plane to enclosure with hardware.
5. Set the input voltage selector switch for 115VAC or 230VAC operation (*Figs. 2-4, pgs. 4-6*).
6. To facilitate wire entry utilize weather-tight NEMA 4 rated connectors, bushings, and cable.
7. Set illuminated master power disconnect circuit breaker to the [OFF] position (*Figs. 2-4, pgs. 4-6*).
8. Connect unswitched AC power (115VAC/230VAC 50/60 Hz) to terminals marked [L, N] (*Figs. 2-4, pgs. 4-6*).
Green branch wire connects to earth (safety) ground lug .
- Wire gauge range of connectors is 14 AWG to 11 AWG (1.6 mm to 2.5 mm diameter).
9. Set illuminated master power disconnect circuit breaker to the (RESET/ON) position (*Figs. 2-4, pgs. 4-6*).
10. WayPoint30A4U/A4DU, WayPoint30A8U/A8DU are factory set for 24VAC operation.
For 28VAC operation adjust unit prior to mounting and applying power as follows:
Change the wire position so that the black wire [28V] is connected to the terminal marked [P] and the yellow wire [24V] is connected to the terminal marked [S].
11. Measure output voltage on terminals marked [COM, 24V, 28V] on WayPoint30ADU (*Fig. 2, pg. 4*) or [1-4 or 1-8 COM] on WayPoint30A4U, WayPoint30A4DU, WayPoint30A8U and WayPoint30A8DU before connecting devices (*Fig. 3, pg. 5, Fig. 4, pg. 6*). This helps avoiding potential damage.

12. Set illuminated master power disconnect circuit breaker to the [OFF] position (Figs. 2-4, pgs. 4-6).
13. **Connecting devices to WayPoint30ADU:**
 For 24VAC output connect devices to terminals marked [COM, 24V] (Fig. 2, pg. 4).
 For 28VAC output connect devices to terminals marked [COM, 28V] (Fig. 2, pg. 4).
Connecting devices to WayPoint30A4U or WayPoint30A4DU:
 Connect device to terminals marked [1-4] and [COM] (Fig. 3, pg. 5).
Connecting devices to WayPoint30A8U or WayPoint30A8DU:
 Connect device to terminals marked [1-8] and [COM] (Fig. 4, pg. 6).
14. Set illuminated master power disconnect circuit breaker to the [RESET/ON] position (Figs. 2-4, pgs. 4-6).
15. LEDs will illuminate indicating each output is powered (Figs. 2-4, pgs. 4-6).
16. Upon completion of wiring secure enclosure door with latches and optional lock.
Caution: Equipment to be installed / serviced by authorized / trained personnel only.
Shut branch circuit power before installing / servicing equipment.

WARNING: When installing in a non-restricted service area use lock or other fastened means on door latches. This installation should be made by qualified service personnel and should conform to all local codes and in accordance with the National Electrical Code.

LED Identification Chart:

ON	OFF
Normal operating condition.	No AC output. Blown fuse or tripped PTC, illuminated master power disconnect circuit breaker is tripped or OFF, AC failure.

To reset a tripped PTC turn the power off for 1 minute and then turn it back on.

Technical Specifications:

Parameter	Description
Input power requirements	115VAC 60Hz, 3 amp or 230VAC 50Hz, 1.5 amp.
Indicators	Individual power output LED indicators. Illuminated master power switch.
Environmental Conditions	Operating Ambient Temperature: For 24VAC @ 12.5 amp output -40°C to 60°C (-40°F to 140°F). For 28VAC @ 10.0 amp output -40°C to 70°C (-40°F to 158°F). Relative Humidity: 85%, +/- 5% Storage Temperature: -40°C to 75°C (-40°F to 167°F). Operating Altitude: -1000 to 6,561.679 ft. (-304.8 to 2000m).
Regulatory Compliance	UL Listed for Information Technology Equipment (UL 60950-1) and Equipment to be Installed Outdoors (UL 60950-22). CE European Conformity.

For fuse protected models:

Replace blade type fuses with ratings from 3A up to 10A.
 WayPoint30A4U and WayPoint30A8U incorporate 5A fuses.



The lightning flash with arrow head symbol within an equilateral triangle is intended to alert the user to the presence of an insulated DANGEROUS VOLTAGE within the product's enclosure that may be of sufficient magnitude to constitute an electric shock.

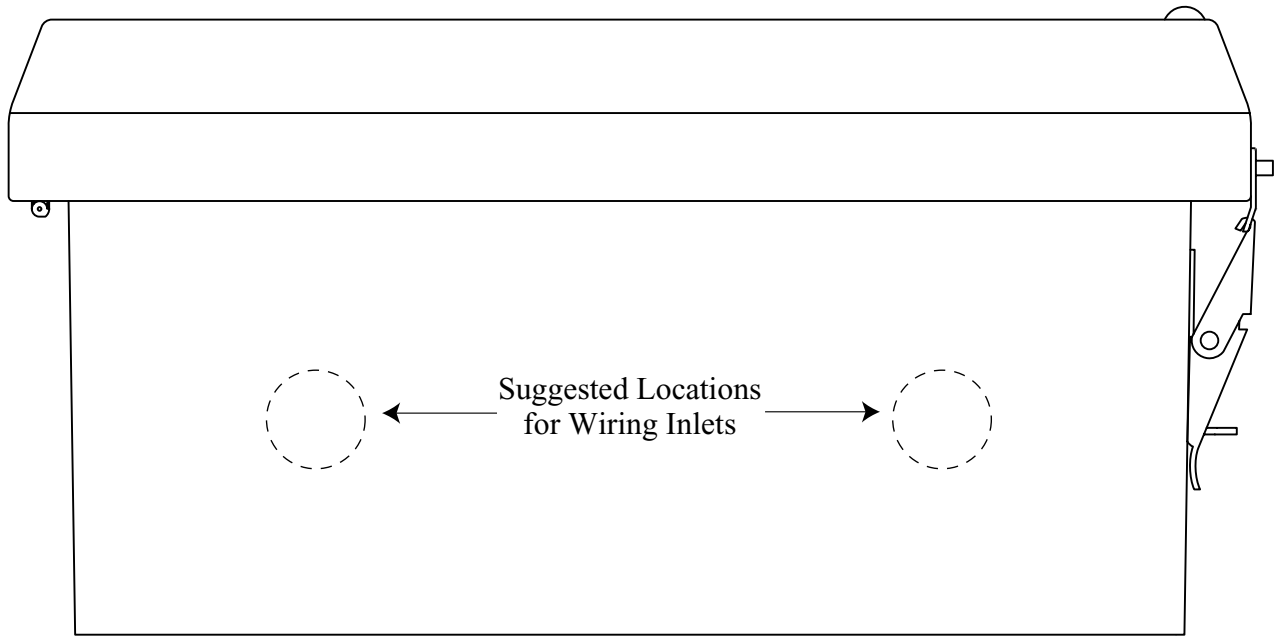


The exclamation point within an equilateral triangle is intended to alert the user to the presence of important operating and maintenance (servicing) instructions in the literature accompanying the appliance.



CAUTION: To reduce the risk of electric shock do not open enclosure. There are no user serviceable parts inside. Refer servicing to qualified service personnel.

Fig. 1



Bottom of Enclosure

Fig. 2 - WayPoint30ADU (PTCs)

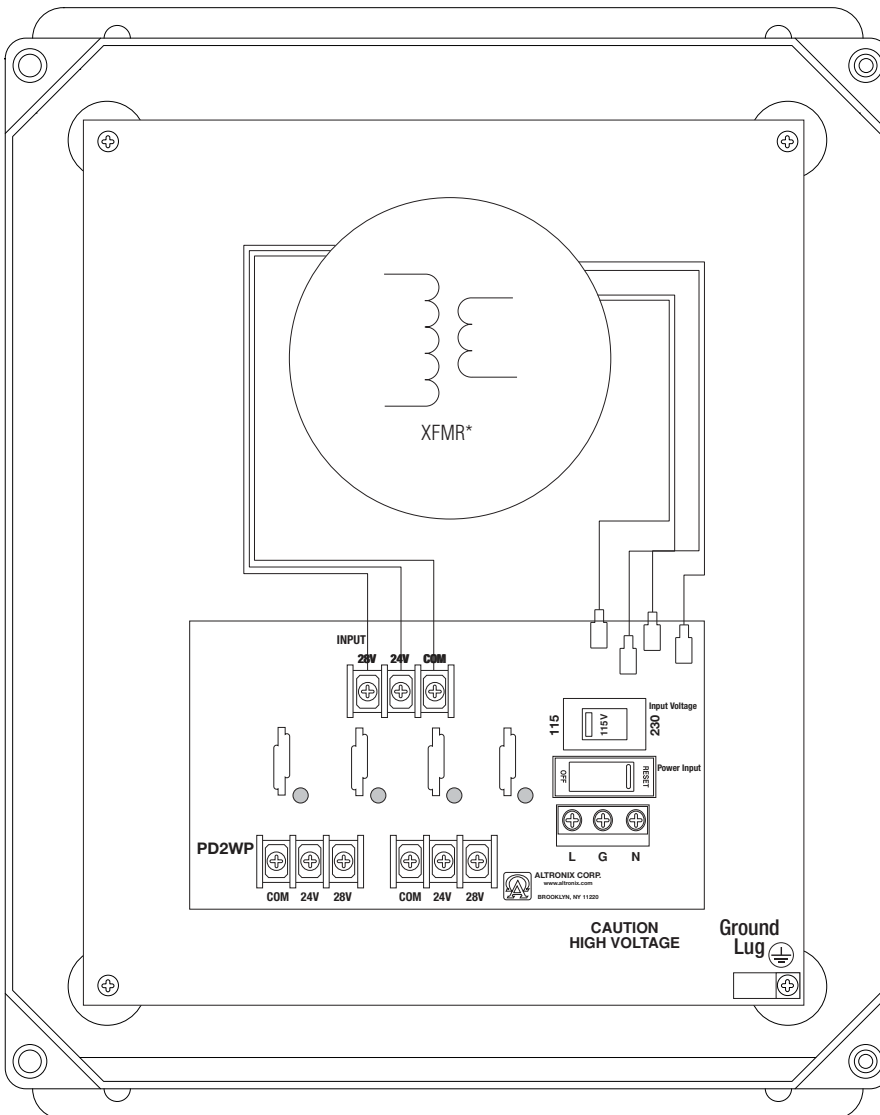
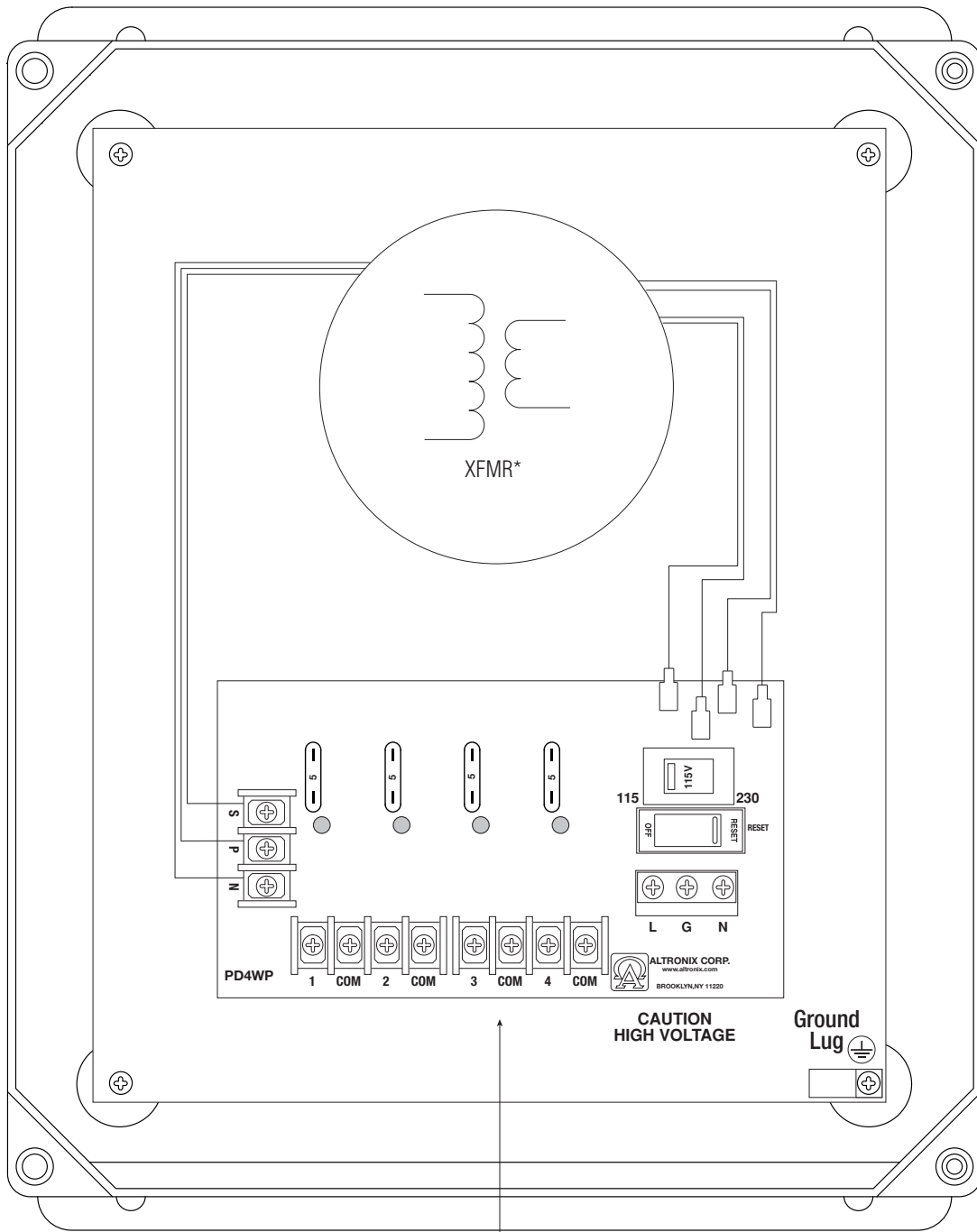


Fig. 3 - WayPoint30A4U (Fuses)



Circuit board incorporated in WayPoint30A4DU (PTCs)

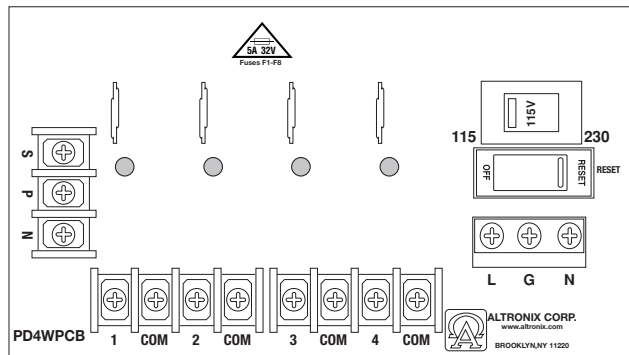
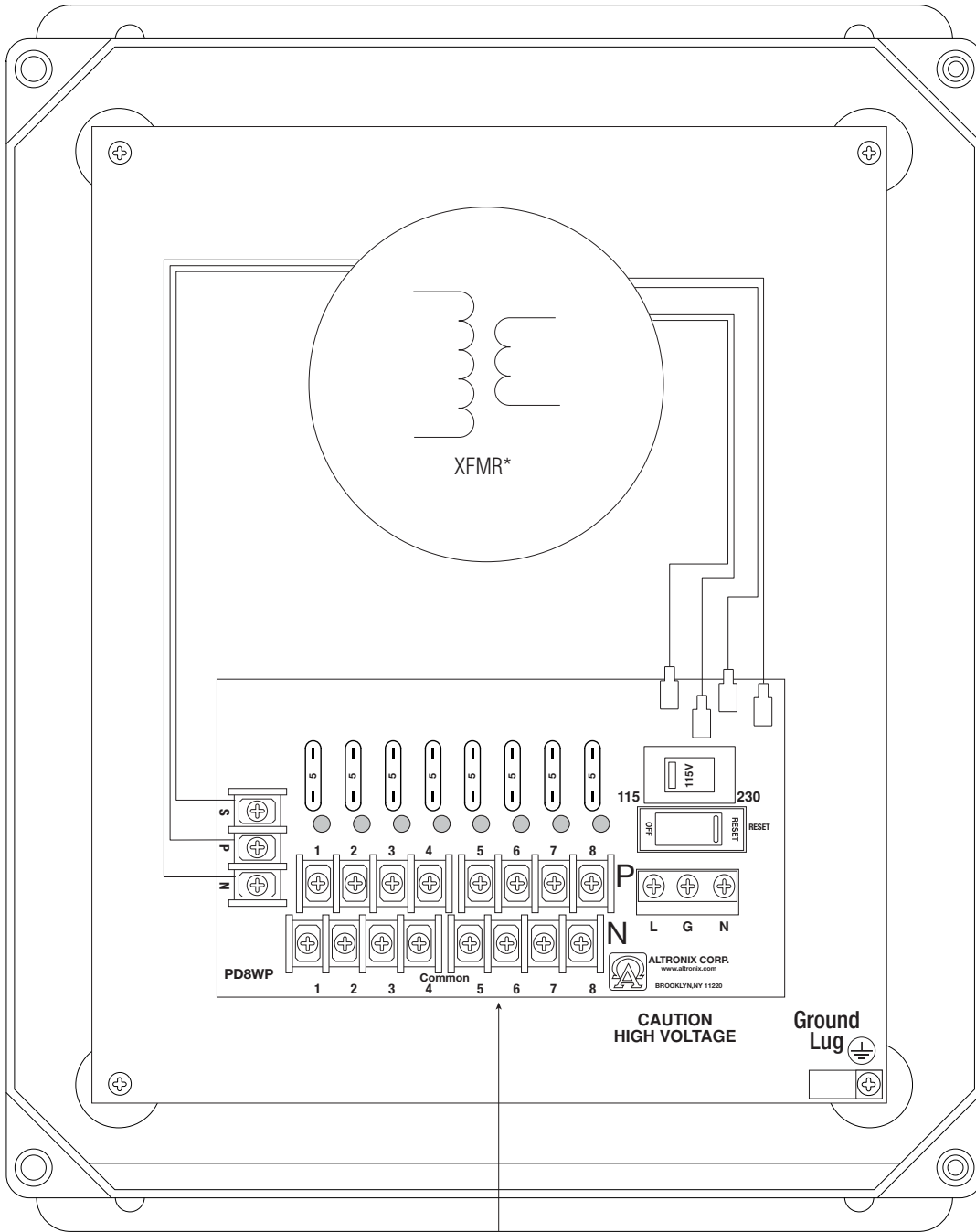
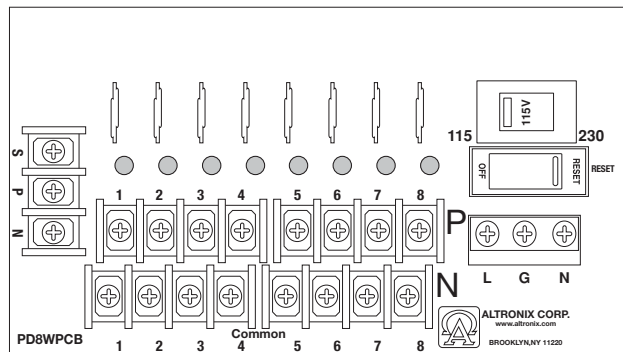


Fig. 4 - WayPoint30A8U (Fuses)



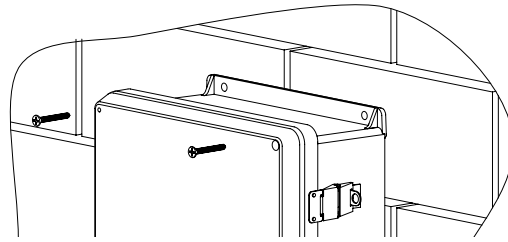
Circuit board incorporated in WayPoint30A8D (PTCs)



Wall Mount Installation

- 1- Place unit at desired location and secure with mounting screws (not included) (Fig. 5, pg. 7).

Fig. 5



Pole Mounting Using Optional Pole Mount Kit PMK1 (not included):

This installation should be made by qualified service personnel. This product contains no serviceable parts. PMK1 is intended for use with Altronix outdoor rated power supplies or accessories housed in WP1, WP2, WP3 and WP4 enclosures. Brackets are designed for use with the Wormgear Quick Release Straps (two included).

1. Thread one (1) wormgear quick release strap through the slots on the back of a mounting bracket (Fig. 6, pg. 7).
2. Once the desired height of the top Pole Mount bracket is achieved, tighten the straps down by sliding open end of the strap through the locking mechanism on the strap, then tighten the screw with flat head screwdriver or 5/16" hex socket driver (Fig. 7, pg. 7).

Fig. 6

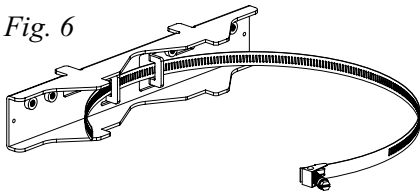


Fig. 7

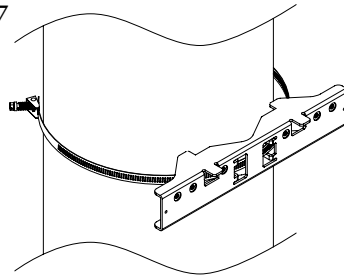
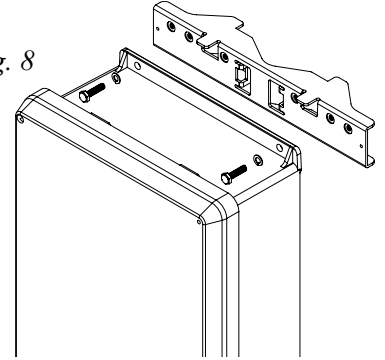


Fig. 8



3. Attach the bottom bracket to the enclosure by inserting bolts through the flange of the enclosure and into the bracket, tightening bolts with a 7/16" hex socket (Fig. 9, pg. 7).
4. Thread the second wormgear quick release strap through the slots on the back of the bottom mounting bracket (Fig. 6, pg. 7).
5. Mount enclosure onto the top bracket by inserting bolts through flange of the enclosure and into the bracket, tightening bolts with a 7/16" hex socket (Fig. 8, pg. 7).
6. Tighten the straps of the bottom bracket down by sliding the open end of the strap through the locking mechanism on the strap, then tighten screw with flat head screwdriver or 5/16" hex socket driver (Fig. 10/10a, pg. 7).
7. Clip excess straps.

Fig. 9

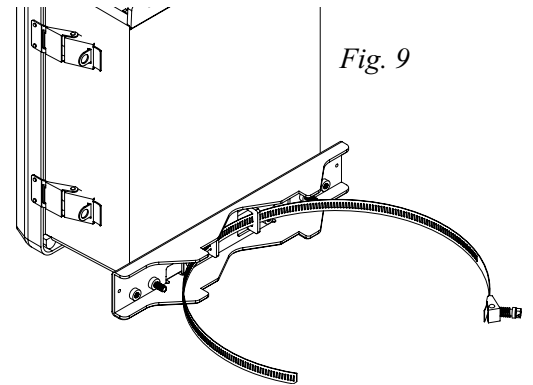


Fig. 10 - 2" to 8" (50.8mm to 203.2mm) diameter round pole

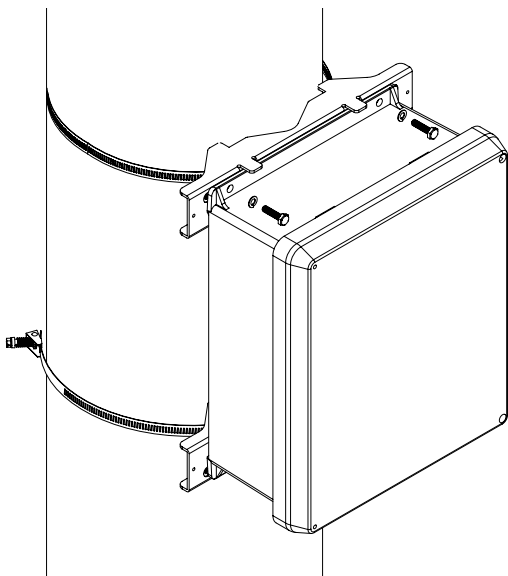
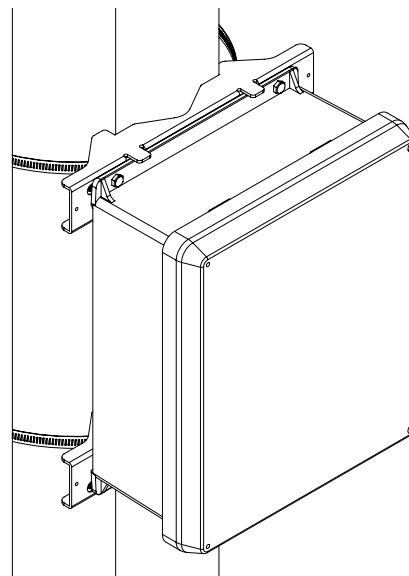


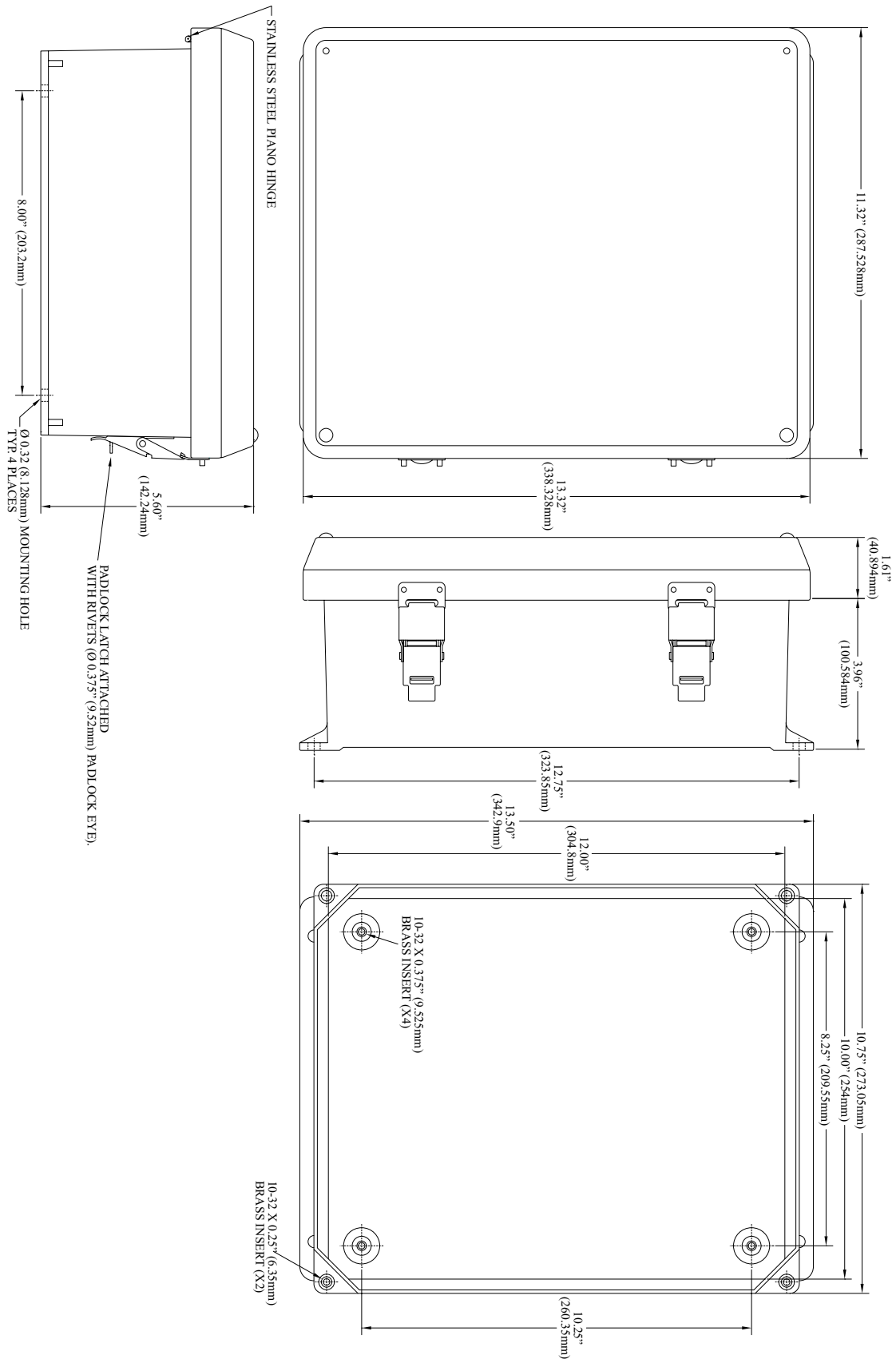
Fig. 10a - 5" (127mm) square pole



Enclosure Dimensions (H x W x D):

13.31" x 11.31" x 5.59" (338.074 mm x 287.274 mm x 141.986 mm)

Fig. 11



Altronix is not responsible for any typographical errors. Product specifications are subject to change without notice.

140 58th Street, Brooklyn, New York 11220 USA, 718-567-8181, fax: 718-567-9056
 website: www.altronix.com, e-mail: info@altronix.com. Lifetime Warranty, Made in U.S.A.
 IIWayPoint30A

L210

