



Mirror Optic PIR Motion Sensors

EV Series



OVERVIEW

Aritech Mirror Optic PIR Motion Sensors offer a unique combination of high sensitivity detection and low false alarm rates, without the need for manual sensitivity adjustment.

Equipped with advanced and sophisticated mirror optics technology, Aritech EV series motion detectors use a unique step and gliding focus feature to create a continuous curtain that ensures sensors never lose track of objects. For increased detection coverage, these sensors have also been optimized using a 3Brid orthogonal curtain. A horizontal mirror structure producing curtains with vertical orientation, this orthogonal technology adds curtains to the mirror without sacrificing signal strength, and without having to increase the size of the sensor.

With “5D” signal processing, EV series motion detectors have built-in intelligence capable of differentiating between fast and slow moving signals. When a slow thermal source is detected, the signal processing switches automatically to the 5D mode and executes additional pattern recognition to identify the signal. Using “5D” signal processing EV series motion detectors can differentiate between a slow walking person and a moving reflection of sunlight, enhancing security while reducing false alarms.

Versatile and easy to install, these sensors are tolerant of wall angle deviation and can be mounted at heights ranging from 6 to 10 feet.

STANDARD FEATURES

- Passive Infrared (PIR) motion sensor
- 3Brid Step and Gliding Focus Curtain mirror
- Plug-in electronics
- Sealed optics
- “5D” signal processing for false alarm immunity
- Cloak and umbrella immunity
- Pet immunity up to 33 pounds
- Full under-crawl detection
- Selectable coverage pattern using mirror masks
- Auto focus with constant range sensitivity
- No adjustment required for different mounting heights
- Tolerates wall angle deviation
- UL/ULC listed

Mirror Optic PIR Motion Sensors

North America
T 855-286-8889

Asia
T 852-2907-8108

Australia
T 61-3-9239-1200

Europe
T 32-2-725-11-20

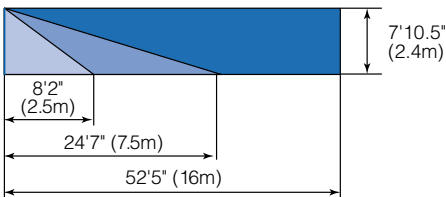
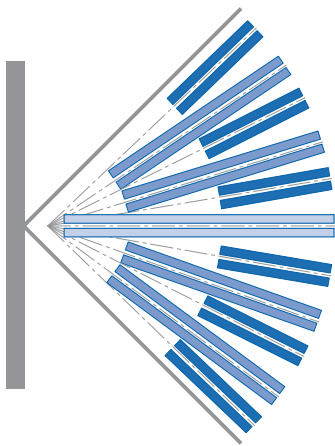
Latin America
T 561-998-6114

Specifications

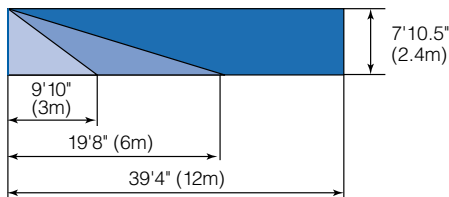
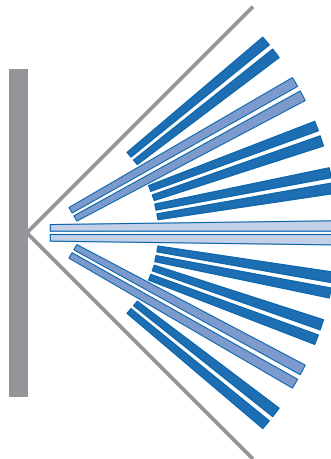
Description	EV1116	EV1012	EV1012PI
Detection Range	50 ft.	40 ft.	40 ft.
Undercrawl Protection	Yes	Yes	Yes
Sensitivity	Normal/High	Normal/High	Normal/High
Coverage Field of View	86° with 11 curtains	86° with 9 curtains	86° with 9 curtains
Coverage Pattern Selection	Curtain labels	Curtain labels	Curtain labels
Mounting Height	6 to 10 ft.	6 to 10 ft.	7.5 to 10 ft.
Power Supply	12 VDC Nominal	12 VDC Nominal	12 VDC Nominal
Current Consumption (nom.)	4.4 mA	4.4 mA	4.4 mA
Alarm Memory	Yes	No	No
PIR Signal Processing	5D	5D	5D
Dimensions (WxHxD)	2.6 x 4.9 x 2.4 in. (65 x 125 x 60mm)	2.4 x 4.3 x 1.8 in. (60 x 108 x 46mm)	2.4 x 4.3 x 1.8 in. (60 x 108 x 46mm)
Ambient Conditions	14 to 130° F, 95% relative humidity	14 to 130° F, 95% relative humidity	14 to 130° F, 95% relative humidity
Pry-off Tamper	Optional	Optional	Optional
Standards	UL, ULC	UL, ULC	UL, ULC

Coverage Diagrams

EV1116



EV1012 and EV1012PI



Ordering Information

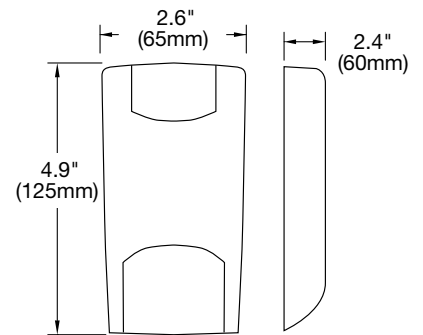
EV1116	Mirror Optic PIR, 11 curtain, 50 ft. range, UL/ULC
EV1012	Mirror Optic PIR, 9 curtain, 40 ft. range, UL/ULC
EV1012PI	Mirror Optic PIR, 9 curtain, 40 ft. range, Pet Immune, UL/ULC

Accessories

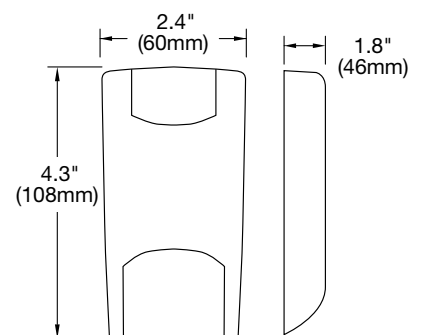
SB01	Wall/ceiling mount bracket (± 45° horizontal, 0° or -5° vertical)
ST400	Pry-off tamper kit

Dimensional Diagrams

EV1116



EV1012 and EV1012PI



interlogix.com

Specifications subject to change without notice.

© 2012 Interlogix.
All rights reserved.
208-3546 2012/10 (70909)