

# IM10 Series Sarix™ Mini Indoor Fixed Dome

## 1.3 MEGAPIXEL HIGH DEFINITION INTEGRATED NETWORK CAMERA

### Product Features

- Up to 1.3 Megapixel Resolution (1280 x 1024)
- Up to 30 Images per Second (ips) at 1280 x 720
- Compact Size with 3-inch Bubble
- Auto Focus Varifocal 2.8 ~ 10 mm Megapixel Lens
- Easy Installation
- H.264 and MJPEG Compression
- Sensitivity Down to 0.12 lux
- Line-in Audio and Built-in Microphone
- Power over Ethernet (PoE), IEEE 802.3af
- Video Setup Jack Accessible with Dome Installed
- Up to 2 Simultaneous Video Streams
- Web Viewing, up to 16 Cameras Simultaneously
- Open IP Standards

The **IM10 Series with Sarix™ technology** is a 1.3 megapixel (MPx) network indoor fixed dome camera designed with industry-leading image quality and high performance processing power. From back box wiring to focusing the lens, the **IM10 Series** is designed to install quickly and easily.

**Sarix** technology defines the next generation of video security imaging performance, delivering high definition (HD) resolution, advanced low-light capabilities, consistent color science, and fast processing power. The H.264 compression video files are up to 20 times smaller making HD video more affordable.

### Fixed Dome Camera

The **IM10 Series** contains an integrated varifocal 2.8 ~ 10 mm megapixel lens. All models include a camera in a compact indoor enclosure that is ready to install.

The **IM10 Series** supports two simultaneous video streams. The two streams can be compressed in MJPEG and H.264 formats across several resolution configurations. The streams can be configured in a variety of frame rates, bit rates, and group of pictures (GOP) structures for additional bandwidth administration.



The **IM10 Series** is simple to install, and the auto-focus lens makes sharp scene focus setup easy. A convenient video setup jack eliminates the need for a laptop for viewing video when installing the camera.

### Web Interface

The **IM10 Series** uses a standard Web browser for powerful remote setup and administration. Up to 16 cameras can be viewed on the same network.

### Window Blanking

Window blanking is used to conceal user-defined privacy areas that cannot be viewed by an operator. The **IM10 Series** supports up to four blanked windows. A blanked area will appear on the screen as a solid gray window.

### Video Systemization

The **IM10 Series** easily connects to Pelco IP and hybrid systems such as Endura® version 2.0 (or later) and Digital Sentry® version 4.3 (or later). The camera also features open architecture connectivity to third-party software. Pelco offers an application programming interface (API) that enables third-party systems to interface with Pelco's network cameras.



# TECHNICAL SPECIFICATIONS

## GENERAL

Imaging Device	1/3-inch (effective)
Imager Type	CMOS
Imager Readout	Progressive scan
Maximum Resolution	1280 x 1024
Signal-to-Noise Ratio	50 dB
Auto Iris Lens Type	DC drive
Electronic Shutter Range	1 ~ 1/100,000 sec
Wide Dynamic Range	60 dB
White Balance Range	2,000° to 10,000°K
Sensitivity	f/1.3; 2,850°K; SNR >24 dB
Color (1x/33 ms)	0.5 lux
Color SENS (15x/500 ms)	0.12 lux
Dome Attenuation	
Clear	Zero light loss
Smoked	f/1.0 light loss
Construction	
Back-box	Cast aluminum and polycarbonate plastic
Trim ring	Polycarbonate plastic
Bubble	Acrylic plastic
Finish	White/Black
Weight	
Unit	0.77 lb (0.35 kg)
Shipping	2.00 lb (0.91 kg)
Available Languages	Chinese, English, French, German, Italian, Portuguese, Russian, Spanish, and Turkish

## ELECTRICAL

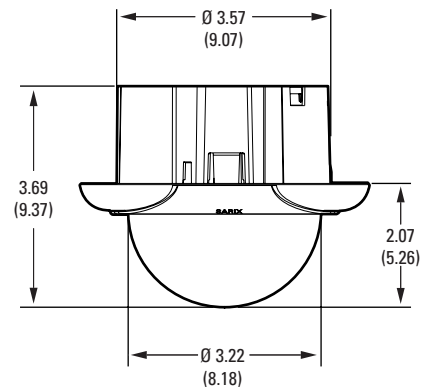
Port	RJ-45 connector for 100Base-TX Auto MDI/MDI-X
Cable Type	Cat5 or better for 100Base-TX
Power Input	PoE (IEEE 802.3af class 3)
Power Consumption	<6 W
Current Consumption	
PoE	<200 mA maximum
Service Port	External 3-connector, 2.5 mm provides NTSC/PAL video output
Accessory Port	Connects Pelco accessories
Audio	
Streaming	Bidirectional: full or half duplex
Input/Output	Line level/external microphone input; 600-ohm differential, 1 Vp-p max signal level; built-in microphone
Compression	G.711 PCM 8 bit, 8 kHz mono at 64 kbit/s

## MECHANICAL

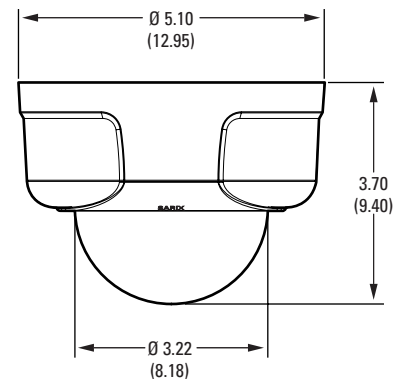
Pan/Tilt Adjustment	Manual
Pan	355°
Tilt	180°
Rotate	220°

## ENVIRONMENTAL

Operational Temperature	32° to 122°F (0° to 50°C)
Operational Humidity	20% to 80%, noncondensing



IN-CEILING



SURFACE MOUNT (MOUNTING RING INCLUDED)

NOTE: VALUES IN PARENTHESIS ARE CENTIMETERS;  
ALL OTHERS ARE INCHES.



COMPACT SIZE. EASY TO INSTALL.

# TECHNICAL SPECIFICATIONS

## VIDEO

Video Encoding	H.264 base profile and MJPEG
Video Streams	Up to 2 simultaneous streams; the second stream is variable based on the setup of the primary stream
Frame Rate	Up to 30, 25, 24, 15, 12.5, 12, 10, 8, 7.5, 6, 5, 4, 3, 2, 1 (dependent upon coding, resolution, and stream configuration)

	Resolution			MJPEG		H.264 Base Profile		
	MPx	Width	Height	Aspect Ratio	Maximum IPS	Recommended Bit Rate	Maximum IPS	Recommended Bit Rate
	1.3	1280	1024	5:4	20 ips	10.0 Mbps	8.0 ips	2.5 Mbps
	1.2	1280	960	4:3	20 ips	9.8 Mbps	8.0 ips	2.4 Mbps
	0.9	1280	720	16:9	30 ips	10.0 Mbps	12.5 ips	2.5 Mbps
	0.5	800	600	4:3	30 ips	5.8 Mbps	25 ips	2.0 Mbps
	0.3	640	480	4:3	30 ips	3.7 Mbps	30 ips	1.6 Mbps
	0.1	320	240	4:3	30 ips	0.9 Mbps	30 ips	0.4 Mbps

Additional Resolutions 640 x 512, 640 x 352, 480 x 368, 480 x 272, 320 x 256, and 320 x 176

Supported Protocols TCP/IP, UDP/IP (Unicast, Multicast IGMP), UPnP, DNS, DHCP, RTP, RTSP, NTP, IPv4, SNMP v2c/v3, QoS, HTTP, HTTPS, LDAP (client), SSH, SSL, SMTP, FTP, mDNS (Bonjour®), and 802.1x (EAP)

Users	
Unicast	Up to 20 simultaneous users depending on resolution settings (2 guaranteed streams)
Multicast	Unlimited users H.264
Security Access	Password protected
Software Interface	Web browser view and setup, up to 16 cameras
Pelco System Integration	Endura 2.0 (or later) or Digital Sentry 4.3 (or later)
Open IP Integration	Pelco IP camera API
Minimum System Requirements	
Processor	Intel® Pentium® 4 microprocessor, 1.6 GHz
Operating System	Microsoft® Windows® XP, Windows Vista®, or Mac® OS X 10.4 (or later)
Memory	512 MB RAM
Network Interface Card	100 megabits, minimum
Monitor	Minimum of 1024 x 768 resolution, 16- or 32-bit pixel color resolution
Web Browser*	Internet Explorer® 7.0 (or later) or Mozilla® Firefox® 3.5 (or later); Internet Explorer® 8.0 (or later) is recommended for configuring analytics
Media Player†	QuickTime® 7.6.5 for Windows XP, Windows Vista, or QuickTime 7.6.4 for Mac OS X 10.4

## LENS

Field of View in Degrees		High Resolution Streams (>800 x 600) Aspect Ratio		
		16:9	4:3	5:4
2.8 mm	Horizontal	91	91	91
	Vertical	50	67	72
10.0 mm	Horizontal	25	25	25
	Vertical	14	19	20

**Note:** For 800 x 600 (or lower) resolutions in 4:3 or 5:4 aspect ratios, the field of view is smaller than listed above. Refer to the installation/operation manual for details.

\*Internet Explorer is not supported by Mac OS X 10.4.

†This product is not compatible with QuickTime version 7.6.4 for Windows XP or Windows Vista. If you have this version installed on your PC, you will need to upgrade to QuickTime version 7.6.5.

# TECHNICAL SPECIFICATIONS

## MODELS

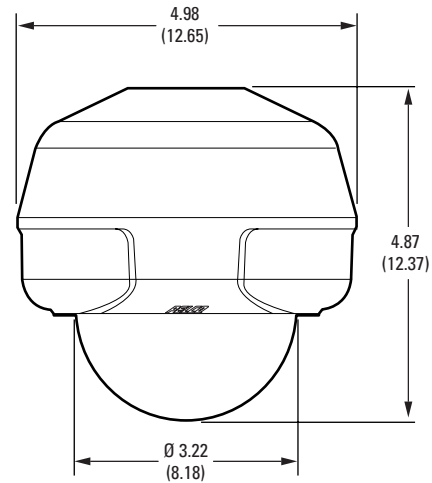
IM10C10-1	Sarix mini indoor fixed dome network camera, 1.3 megapixel, color, 2.8 ~ 10 mm varifocal megapixel lens, white trim ring, clear dome
IM10C10-B1	Sarix mini indoor fixed dome network camera, 1.3 megapixel, color, 2.8 ~ 10 mm varifocal megapixel lens, black trim ring, clear dome

## CERTIFICATIONS/RATINGS/PATENTS

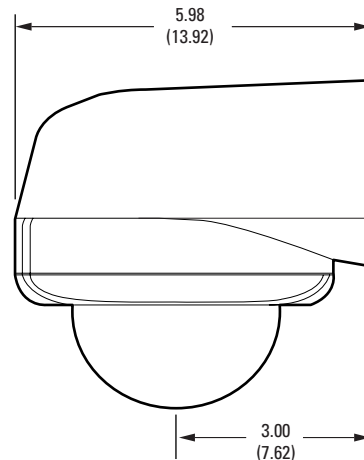
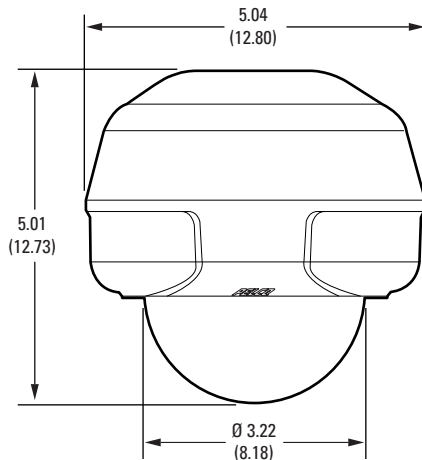
- CE, Class B
- FCC, Class B
- UL/cUL Listed
- C-Tick
- Patents Pending

## OPTIONAL ACCESSORIES

IM-PMWT	Pendant mount white
IM-PMBL	Pendant mount black
IM-WMWT	Integrated wall mount white
IM-WMBL	Integrated wall mount black
LDIM-0	White lower dome with smoked bubble
LDIM-B0	Black lower dome with smoked bubble
IX-SC	4-foot service/monitor cable, compatible with any standard monitor BNC connector
POE20U560G	Single port PoE injector



PENDANT (MOUNT AVAILABLE AS ACCESSORY)



INTEGRATED WALL MOUNT (AVAILABLE AS ACCESSORY)

NOTE: VALUES IN PARENTHESIS ARE CENTIMETERS; ALL OTHERS ARE INCHES.

### Pelco, Inc. Worldwide Headquarters:

3500 Pelco Way, Clovis, California 93612-5699 USA

**USA & Canada** Tel: (800) 289-9100 • FAX: (800) 289-9150

**International** Tel: +1 (559) 292-1981 • FAX: +1 (559) 348-1120

[www.pelco.com](http://www.pelco.com)

Pelco, the Pelco logo, Digital Sentry, and Endura are registered trademarks of Pelco, Inc.

Sarix is a trademark of Pelco, Inc.

All product names and services identified throughout this document are trademarks or registered trademarks of their respective companies. The absence of a trademark or registered trademark from this document does not constitute a waiver of intellectual property rights.

Product specifications and availability subject to change without notice.

©Copyright 2010, Pelco, Inc. All rights reserved.