

OMNI EZ HD TVI

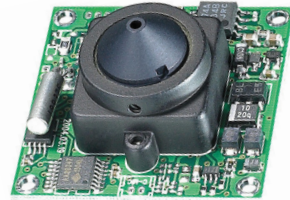
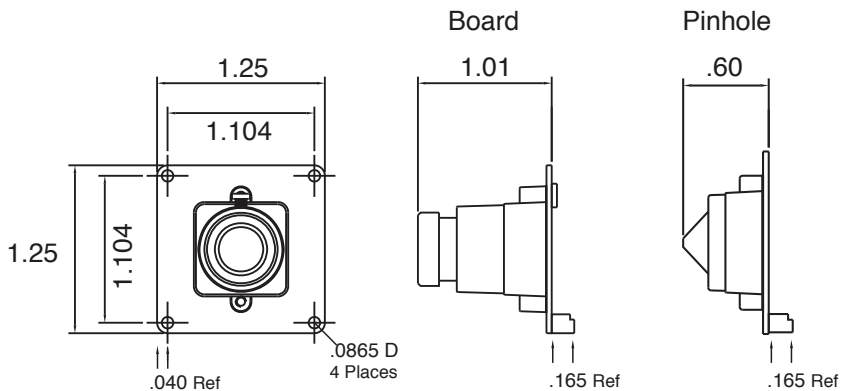
ATC-Z322NP4: Pinhole Lens
ATC-Z322NB4: Board Lens

1080p HD Over Regular Coax or UTP
 Miniature Square 1080p Camera
 with board type or pinhole lens

Features

- Ultra Compact Size
- 1/2.7" Progressive Scan CMOS
- EZHD-TVI: 1080p 30 FPS
- Up the Cable menu control
- Digital Day/Night
- For indoor applications
- DC 12V power

Dimensions: Inches



ATC-Z322NP4: Pinhole



ATC-Z322NB4: Board

1080p

30 FPS

Digital Day/Night

**UTC
Up The Cable
OSD Control**

DC12

Indoor

Miniature Module

Technical Specifications:

Image Device	1/2.7" PROGRESSIVE SCAN CMOS
Effective Pixels	1930 (H) x 1088 (V)
Unit cell size	3.0um (H) x 3.0um (V)
Video output mode	HD-TVI : 1080P 30fps(25fps)
Transmission Distance	HD-TVI : Color 300m@RG59 , BW 500m@RG59
Menu Access	Up the Cable control
Shutter speed	Auto, 1/25, 1/30, 1/50, 1/60, 1/100, 1/120, 1/250, 1/500, 1/1000, 1/3000, 1/10000
BLC	BLC (1~16 selectable)
HLC	Adjustable area, 0~255 for mask and threshold values
AGC	1~5 (Max. 30dB)
Flickerless	Off, 50Hz, 60Hz
2DNR	AUTO
White Balance	AUTO indoor / AUTO Outdoor / USER / PUSH / Manual
Lens	Board type 3.7mm / Pinhole type 4.3mm
Day&Night	Auto, color, B/W
Privacy Zones	Two, with adjustable size and position
Image Control	Flip, Mirror, Gain, Hue, Sharpness, Contrast
Temperature/Humidity (non condensing)	Operation : 5°F~122°F(-15°C~50°C) Storage : -4°F~140°F(-20°C~60°C) Humidity less than 80%
Power Consumption	DC12V ±10% Max.100mA
External Control	UTC (Up The Cable OSD Menu Control)
Dimensions	Body 1.25" x 1.25" Depth with pinhole Lens .765" With Board Lens 1.175"
Video and Power Cable	Detachable; >23" long (58.5cm)
Weight	Approx. 15g / .5 oz. plus cable