

Versatile, Virtually Indestructible and Ready for the Extreme

Not just a camera enclosure but a engineered outdoor housing system that is designed to expand all indoor camera models into complete rugged outdoor system solutions.

Virtually Indestructible: We produce the worlds toughest enclosures, will not corrode, rust, leak and has proven to withstand a whole world of abuse.

No matter the climate we take outdoor temperature protection very serious: Extreme Hot climates, Cold climates, Marine and everywhere in between.



innovative

ST-CD-12V : Dotworkz S-Type COOLDOME™ Camera Enclosure



IP67
OUTDOOR RATED

Description:

The next generation of outdoor camera protection for traditional static/brick camera types. Engineered to protect all brands and camera models in tough hot environments or where heat damage can occur. The ST-CD uses our COOLDOME™ technology to actively cool all internal components including cameras, wireless radios, switches, NVR's and other system hardware by removing heat buildup away from sensitive components. Only Dotworkz housings actively cools while still being an airtight and water tight rated housing. Our S-Type products utilize all the features of our popular D-Series products to help you build complete system solution for today's temperature sensitive CCTV, megapixel, HD or other long body cameras with room for cabling, lenses and easy installation. Designed for the worlds hottest climates - if heat damage can occur, the ST-CD is the solution.

Specs:

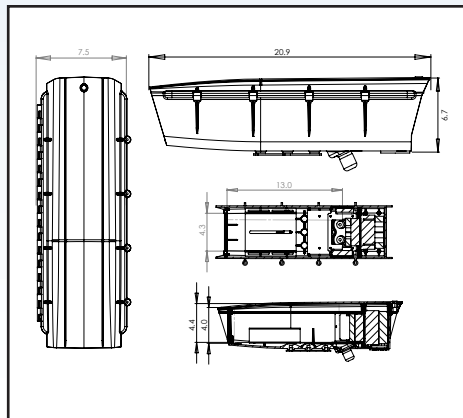
Operating Temperature (Absolute):
-40° to 158°F (-40°C to 70°C)
Operating Temperature (Recommended):
30° to 145°F (-1°C to 63°C)
Power Consumption:
12VDC, 150W @ max at full load
Input Power Source options:
12VDC, 110 / 220 VAC
Internal Power Available for Camera:
2.5 amps @ 12 VDC
Shipping Dimensions:
24" x 10" x 10" - 15 lbs (6.8 Kg)
HD or H.264 PTZ Camera Support: Yes

Engineered and
Built in the **US**

Features:

- Active Cooling with COOLDOME™ technology protects cameras, radios and other system components from summer heat damage
- Thermostatically controlled to automatically turn on and off when needed
- Protects all brands of CCTV, IP based, HD or megapixel "Static" or brick cameras
- IP67 level protection for extreme marine, dust, insect, and other conditions
- Heavy duty, Non Metallic, Non corrosive, flame resistant, Vandal tough Polycarbonate Thermal Plastic alloy case
- Engineered internal mounting space for: routers, cell networks, hard drives, UPS, WIMAX, mesh hardware, etc
- Vandal proof lockable cover system

1 depends on camera being integrated



remote video solutions

www.dotworkz.com 866.575.4689