

TCA-1

Truss Ceiling Adaptor

Product Features:

Works with a wide variety of truss types

Maximum rectangular dimensions – 3" x 3"

Maximum circular dimensions – 3" OD

Works with 1.5" NPT pipe and all VMP ceiling masts

Cable pass throughs for cable management

Load capacity – 180 lbs

Black powder coat finish

Product Specifications:

(for Architects & Engineers)

The truss ceiling adaptor for ceiling mounted AV equipment shall be the Video Mount Products (VMP) part number TCA1. The TCA1 shall be capable of accommodating a wide variety of truss types. The maximum rectangular cross section that the TCA1 shall accommodate is 3" wide by 3" height. The TCA1 shall also be able to accommodate up to a 3" diameter circular cross section. The TCA1 shall be capable accommodating both standard 1.5" NPT pipe and any VMP ceiling mast that is included with their ceiling mounts. The TCA1 shall have cable pass throughs to facilitate cable management. The TCA1 shall be primarily made of formed steel and shall include arc welds in the construction. The load capacity for the TCA1 shall be 180 lbs. The TCA1 shall have a black powder coat finish.

Video Mount Products

345 Log Canoe Circle

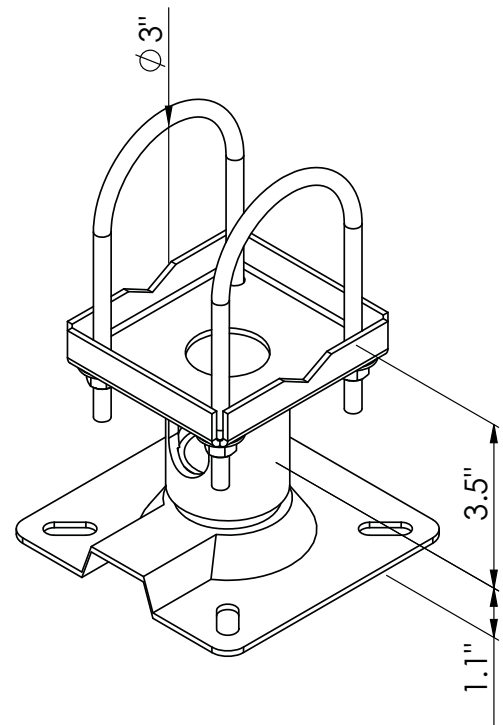
Stevensville, MD 21666

Toll Free: 877.281.2169

Telephone: 410.643.6390

Facsimile: 410.643.6615

www.videomount.com



VMP
VIDEO MOUNT PRODUCTS