

POH1000, POH1000HB, POH1500 & POH1500HB

Housings: Outdoor

MODELS:

POH1000 - 11" Indoor/Outdoor Housing for 1/3" Panasonic CCD camera with Panasonic fixed focal or varifocal (manual zoom) lens

POH1000HB - 11" Indoor/Outdoor Housing, with heater/blower for 1/3" Panasonic CCD camera with Panasonic fixed focal or varifocal (manual zoom) lens

POH1500 - 16" Indoor/Outdoor Housing for 1/2" or 1/3" Panasonic CCD camera with Panasonic zoom lens

POH1500HB - 16" Indoor/Outdoor Housing, with heater/blower for 1/2" or 1/3" Panasonic CCD camera with Panasonic zoom lens

PRODUCT FEATURES:

- Side hinges for ease of access when focusing and adjusting the camera
- Easy camera installation
- Accepts many lens and camera combinations
- Optional 24 VAC heater/blower, sunshield
- Built-in thermostatically control 24VAC heater/blower on POH1000HB and POH1500HB models
- Lightweight aluminum chassis
- POH1000/POH1000HB models: Fits all current Panasonic 1/3" cameras with all Panasonic fixed focal length 1/2" and 1/3" ALC lenses
- POH1500/POH1500HB models: Longer version, fits all current Panasonic cameras with all Panasonic fixed focal length and zoom lenses

ELECTRICAL SPECIFICATIONS:

Power:

POH1000/POH1500: 24 VAC, 60Hz

POH1000HB/POH1500HB: 24 VAC, 60Hz,
27 watts (excluding camera)

Heater: 24 VAC, 60Hz, 25 watts

Blower: 24 VAC, 60Hz, 1.4 watts

MECHANICAL SPECIFICATIONS:

Size (HxWxD):

POH1000/POH1000HB: 4.375" x 5.625" x 11.00"

POH1500/POH1500HB: 4.375" x 5.625" x 16.00"

Weight: 4 lbs. (without camera)

Construction

Housing body: Extruded aluminum, powdercoat beige finish

Endcaps: Black polycarbonate

ENVIRONMENTAL SPECIFICATIONS:

Operating Temperature: -20° F to +120 F

Heater activates at +50° F (+/- 8°), deactivates at +80° F (+/- 5° F), 24vac, 25W

Blower +110° F (+/- 7°), deactivates at +80° F (+/- 6° F), 24vac, 1.4W

SHIPPING:

POH1000/POH1000HB: 5 lbs 5" x 6" x 16"

POH1500/POH1500HB: 6 lbs 5" x 6" x 20"



DESCRIPTION

The **POH1000/POH1000HB/POH1500/POH1500HB** are indoor/outdoor, environmental housings that can accommodate Panasonic camera/lens combinations. The body is an attractive beige finish with black end caps. A heater/blower, and sunshield are available.

OPTIONS/ACCESSORIES:

PSS10 - Sun Shield for POH1000/POH1000HB

PSS15 - Sun Shield for POH1500/POH1500HB

WV-831P - Light duty wall mount with manual adjustable swivel head. Supports up to 20lbs.

PWM800 - Medium duty wall/pole mount with manual adjustable swivel head. Supports up to 25lbs.

PCM800 - Medium duty corner mount with manual adjustable swivel head. Supports up to 25lbs.

DISTRIBUTED BY:

Panasonic ideas for life

POH1000, POH1000HB, POH1500 & POH1500HB

BID SPECIFICATIONS

POH1000/POH1000HB:

The indoor/outdoor extruded aluminum camera housing shall be a Panasonic Model POH1000/POH1000HB or equivalent. The housing shall be compatible for use with a 1/3" Panasonic CCD camera with Panasonic fixed focal or varifocal (manual zoom) lens.

The housing shall include a side hinge for ease of access for focus adjusting and servicing. The housing shall be suitable for use with a sun shield (PSS10). The housing shall be compatible for use with the following mounts: WV-831P light duty mount; PWM800 medium duty wall/pole mount; and PCM800 medium duty corner mount.

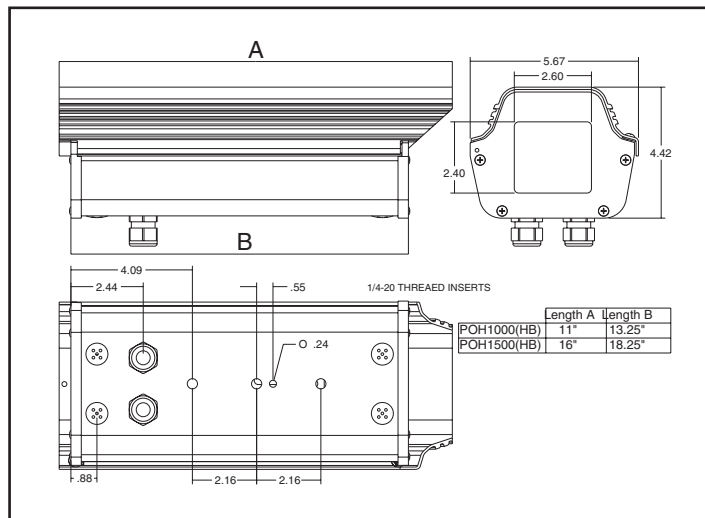
The housing's dimensions shall not exceed 4.375"H x 5.625"W x 11"L. The housing's weight shall not exceed 3.5 lbs. The power source shall be 24VAC, 60Hz. The POH1000 housing shall be compatible for use with a heater or blower. POH1000HB housing shall include a factory-installed heater and blower.

POH1500/POH1500HB:

The indoor/outdoor extruded aluminum camera housing shall be a Panasonic Model POH1500/POH1500HB or equivalent. The housing shall be compatible for use with a 1/2" or 1/3" Panasonic CCD camera with Panasonic zoom lens.

The housing shall include a side hinge for ease of access for focus adjusting and servicing. The housing shall be suitable for use with a sun shield (PSS15). The housing shall be compatible for use with the following mounts: WV-831P light duty mount; PWM800 medium duty wall/pole mount; and PCM800 medium duty corner mount.

The housing's dimensions shall not exceed 4.375"H x 5.625"W x 16"L. The housing's weight shall not exceed 3.9 lbs. The power source shall be 24VAC, 60Hz. The POH1500 housing shall be compatible for use with a heater or blower. POH1500HB housing shall include a factory-installed heater and blower.



DISTRIBUTED BY:

Panasonic ideas for life

Panasonic Digital Communications & Security Company
Unit of Matsushita Electric Corporation of America
Security Systems

Executive Office: Three Panasonic Way, Secaucus, NJ 07094

Zone Offices:

Eastern: Three Panasonic Way, Secaucus, NJ 07094 (201) 392-4546

Southern: 1225 Northbrook Parkway, Suwanee, GA 30024 (770) 338-6843

Central: 1707 North Randall Road, Elgin, IL 60123 (847) 468-5211

Western: 6550 Katella Avenue, Cypress, CA 90630 (714) 373-7840

www.panasonic.com/security