

# PPH14

# Housings: Outdoor

## **PRODUCT FEATURES:**

- All aluminum construction
- Durable white powder coat exterior finish
- Heater included as standard feature
- 1/4" thick tempered glass window
- Designed to meet IP67 standards

## **ELECTRICAL SPECIFICATIONS:**

Power:

24 VAC, 60Hz, 28 watts (excluding camera)

## **MECHANICAL SPECIFICATIONS:**

Size (HxWxD):

6.8" x 22.0" x 5.7"

Weight:

9 lbs. (without camera)

### Construction

Housing body:

Aluminum, powdercoat white finish

Endcaps:

Black machine aluminum

Connectors:

16-pin hermetically sealed

## **ENVIRONMENTAL SPECIFICATIONS:**

Operating Temperature:

-40° F to +120 F

Heater activates at +40° F (+/- 8°), deactivates at +60° F (+/- 5° F), 24vac, 28W

## **SHIPPING:**

PPH14: 10 lbs 10" x 27" x 10"



## DESCRIPTION

The **PPH14** pressurized housing is designed to provide maximum protection for Panasonic cameras and lenses. Both the front and rear end caps are sealed with O-rings, keeping equipment safe from moisture, dust and insects. Power and video enter through a hermetically sealed MS style pressure connectors in the rear end cap. The front window is made of tempered glass.

DISTRIBUTED BY:

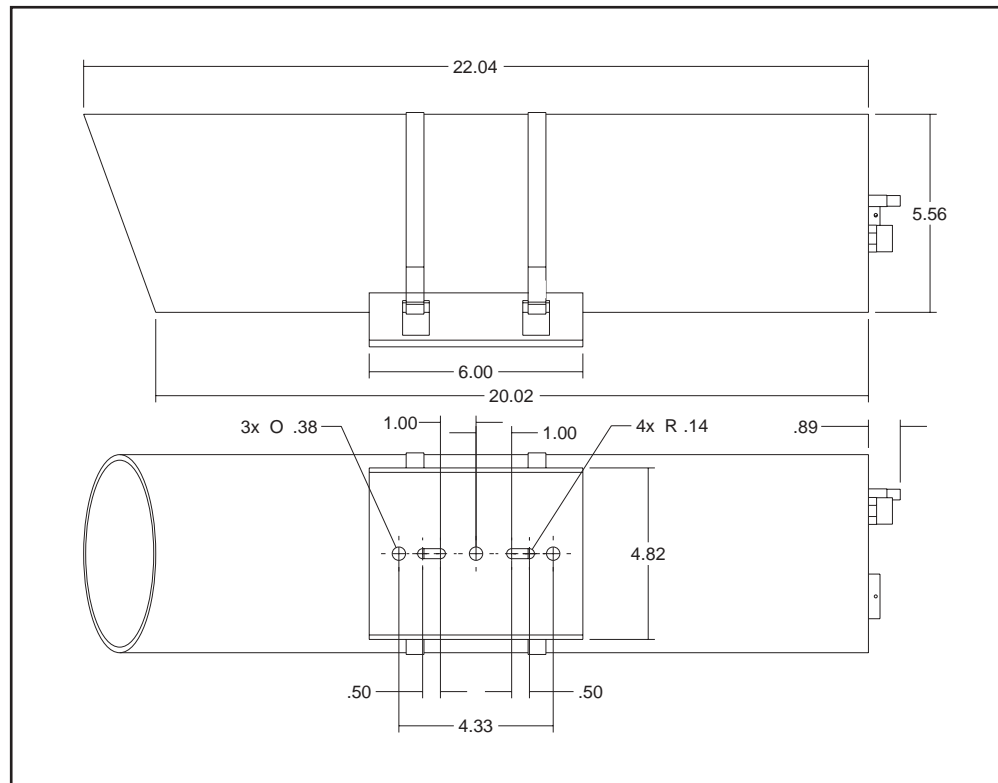
**BID SPECIFICATIONS**

The outdoor pressurized camera housing shall be a Panasonic Model **PPH14** or equivalent.

The housings shall be of all aluminum construction, with stainless steel housing bracket straps. End caps shall be sealed with lubricated O-rings and held in place with flat retaining rings. Front window shall be tempered glass. All electrical and video connections shall be made through the rear end cap, using MS style pressure connector.

The housing shall utilize a Schraeder valve and a 20-psi pressure relief valve.

The housing shall be compatible for use with the following mounts: P9000HW heavy duty wall mount; P9000HP heavy duty pole mount and P9000HC heavy duty corner mount. The housing's dimensions shall not exceed 6.8"H x 22.0"W x 5.7"D. Maximum camera/lens length shall be 14".



DISTRIBUTED BY:

**Panasonic ideas for life**

**Panasonic Digital Communications & Security Company**  
 Unit of Matsushita Electric Corporation of America  
**Security Systems**

Executive Office: Three Panasonic Way, Secaucus, NJ 07094  
 Zone Offices:  
 Eastern: Three Panasonic Way, Secaucus, NJ 07094 (201) 392-4546  
 Central: 1707 North Randall Road, Elgin, IL 60123 (847) 468-5211  
 Western: 6550 Katella Avenue, Cypress, CA 90630 (714) 373-7840  
[www.panasonic.com/cctv](http://www.panasonic.com/cctv)