

## P9000HW/HC/HP Swivel Head Brackets

### PRODUCT FEATURES

- P9000HW/HC/HP are heavy-duty outdoor swivel head brackets designed for use with outdoor housing WV-7135/7140/7150/7160 and POH1600
- P9000HW is designed for mounting to a flat wall
- P9000HC is designed for mounting to an outside corner
- P9000HP is designed for mounting to a round pole larger than 3.5"D

### GENERAL SPECIFICATIONS

#### Dimensions

<b>P9000HW</b>	17.375"H x 4"W x 6"D
<b>P9000HC</b>	21.437"H x 4"W x 5.250"D
<b>P9000HP</b>	18.625"H x 4"W x 7.750"D

#### Weight

9 lbs.

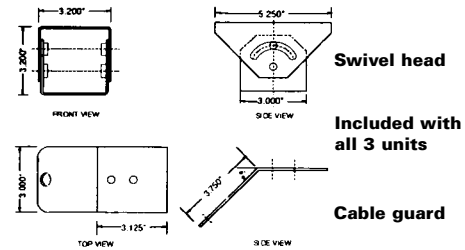
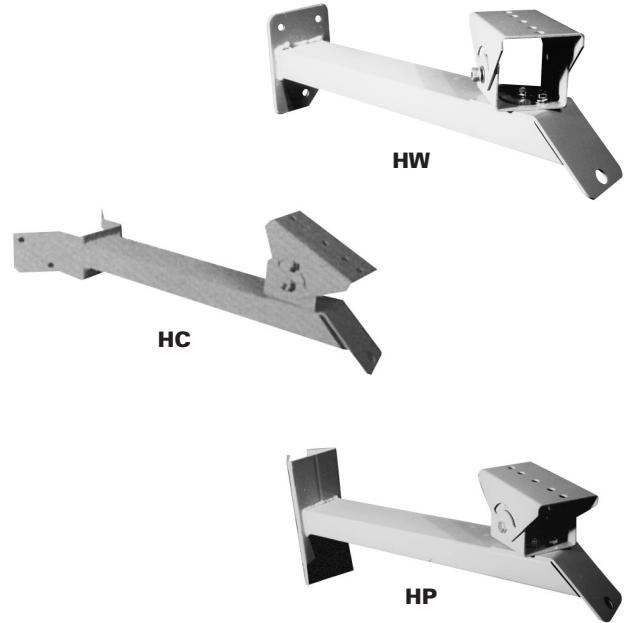
#### Load Weight

85 lbs. (38kg)

### OPTIONAL ACCESSORIES

<b>PCA2B</b>	Corner mount adaptor
<b>PPM3B</b>	Pole mount adaptor

Weights and dimensions shown are approximate. Specifications subject to change without notice.



Swivel head

Included with all 3 units

Cable guard

### ARCHITECTS' AND ENGINEERS' BID SPECIFICATIONS

#### P9000HW

The heavy-duty outdoor swivel head bracket shall be a Panasonic model P9000HW or equivalent. The bracket shall be designed for mounting to a flat wall. The bracket shall be designed for use with outdoor camera housing Panasonic WV-7140 or WV-7135. The bracket shall support a load weight of 85 lbs. The bracket's dimensions shall not exceed 17.375"H x 4"W x 6"D. The bracket's weight shall not exceed 9 lbs.

#### P9000HC

The heavy-duty outdoor swivel head bracket shall be a Panasonic model P9000HC or equivalent. The bracket shall be designed for mounting to an outside corner. The bracket shall be designed for use with outdoor camera housing Panasonic WV-7140 or WV-7135. The bracket shall support a load weight of 85 lbs. The bracket's dimensions shall not exceed 21.437"H x 4"W x 5.250"D. The bracket's weight shall not exceed 9 lbs.

#### P9000HP

The heavy-duty outdoor swivel head bracket shall be a Panasonic model P9000HP or equivalent. The bracket shall be designed for mounting to a round pole larger than 3.5" in diameter. The bracket shall be designed for use with outdoor camera housing Panasonic WV-7140 or WV-7135. The bracket shall support a load weight of 85 lbs. The bracket's dimensions shall not exceed 18.625"H x 4"W x 7.750"D. The bracket's weight shall not exceed 9 lbs.

