

## INSTALLATION AND OPERATION MANUAL

# COPPERLINE®

## CLFE(X)EO(C,U) Series ETHERNET OVER COPPER EXTENDER WITH PASS-THROUGH POE TO 15 WATTS



### This manual serves the following ComNet Model Numbers:

CLFE1EOC  
CLFE4EOC  
CLFE8EOC  
CLFE16EOC  
CLFE1EOU  
CLFE4EOU  
CLFE8EOU  
CLFE16EOU

The ComNet™ CopperLine® Ethernet over copper line supports up to sixteen channels of 10/100Mbps Ethernet with Pass-through PoE over twisted pair cable (CAT-5, UTP), or over coaxial cable. The single channel units may be powered by a PoE switch or the included power supply. Four, eight, and sixteen channel units operate from local power. These units provide the ultimate flexibility for extending a powered device (PD) over long distance copper. DIP switches are provided for user-selection of local or remote, 10 or 100Mbps, and 1 pair or 4 pair (UTP) settings.

Bi-color (Red/Green) LED indicators are provided for rapidly ascertaining equipment operating status. **Table 2** on **Page 9** describes the LED indicators for each light on the unit.

The CLFE8EO(C,U) and CLFE16EO(C,U) are 1RU rack mountable units. The CLFE4EO(C,U) units are interchangeable between stand-alone or card mount configurations, or may be DIN-rail mounted by the addition of ComNet model DINBKT1 or DINBKT4 adaptor plate. The CLFE1EO(C,U) units are stand-alone, or may be DIN-rail mounted by the addition of ComNet model DINBKT4 adaptor. See **Figures A** through **C** on **Page 11** for mounting instructions.

FIGURE 1 – CLFE1EOC SINGLE CHANNEL COAX UNIT

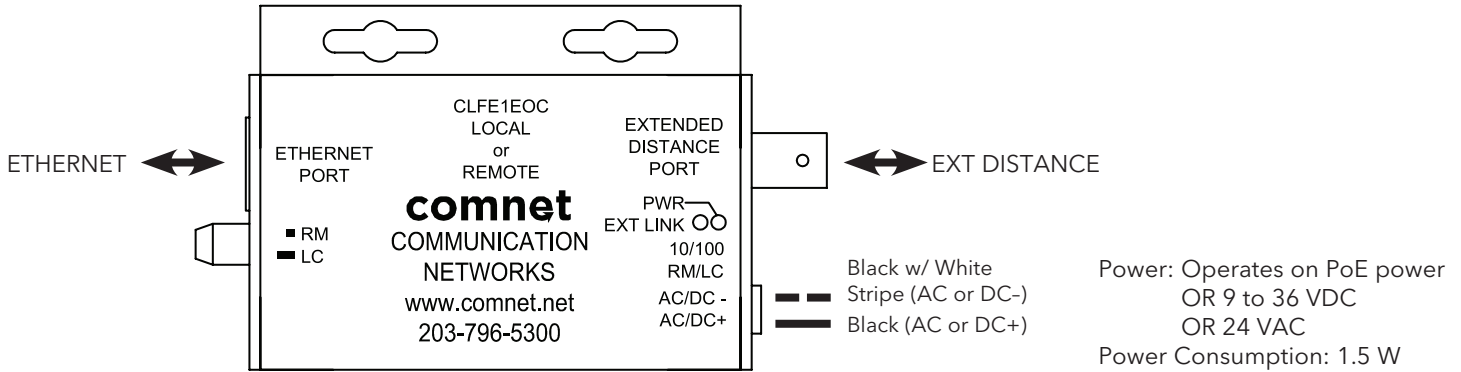


FIGURE 2 – CLFE1EOC SINGLE CHANNEL COAX UNIT

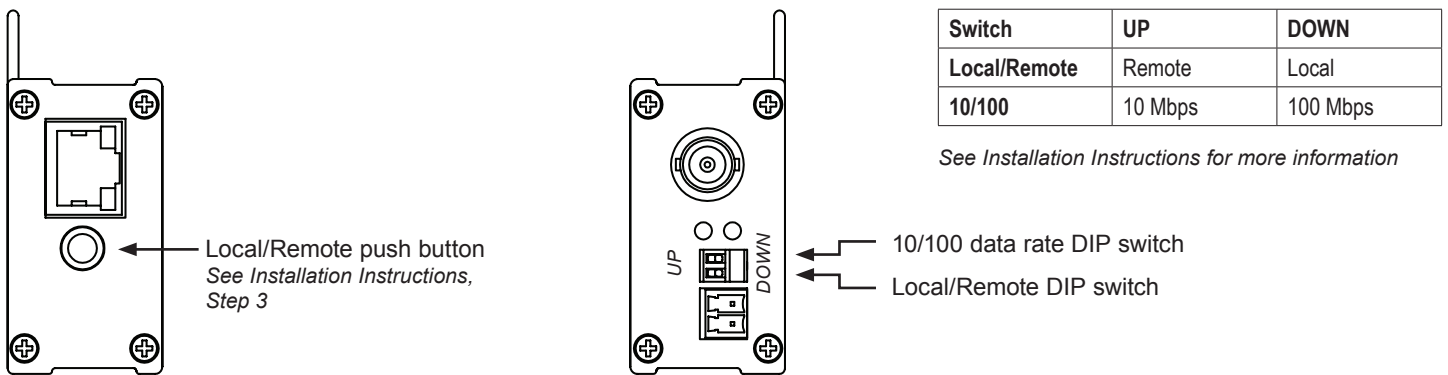


FIGURE 3 – CLFE1EOU SINGLE CHANNEL UTP UNIT

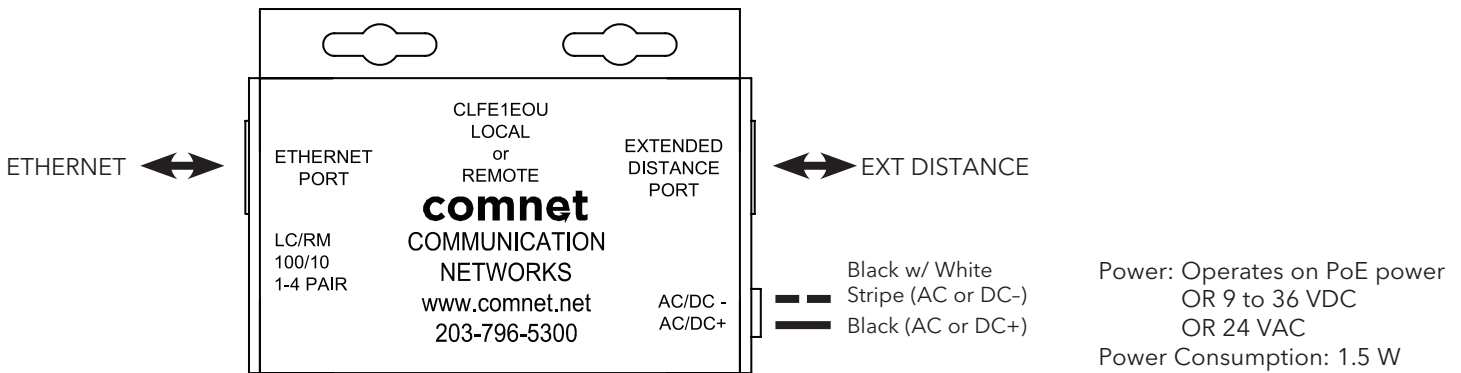


FIGURE 4 – CLFE1EOU SINGLE CHANNEL UTP UNIT

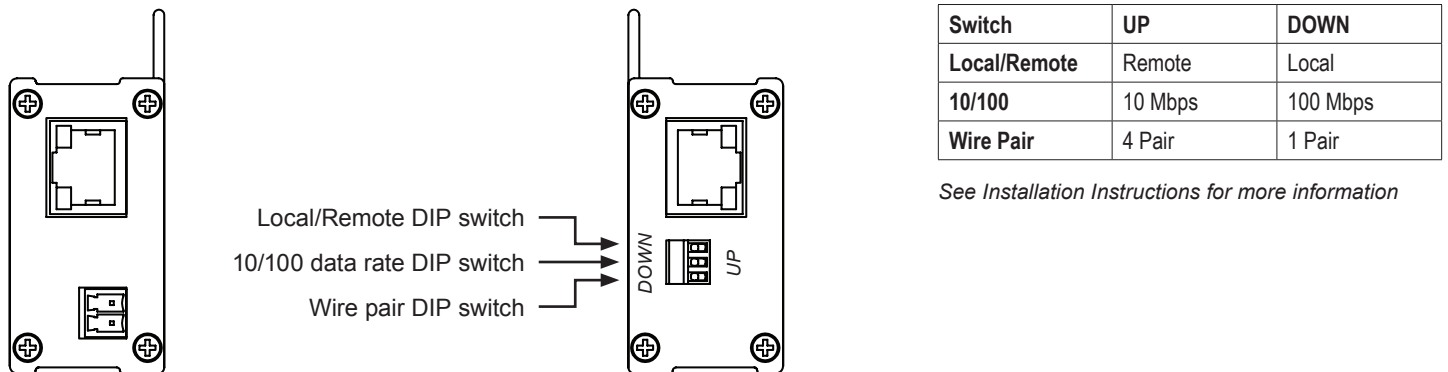
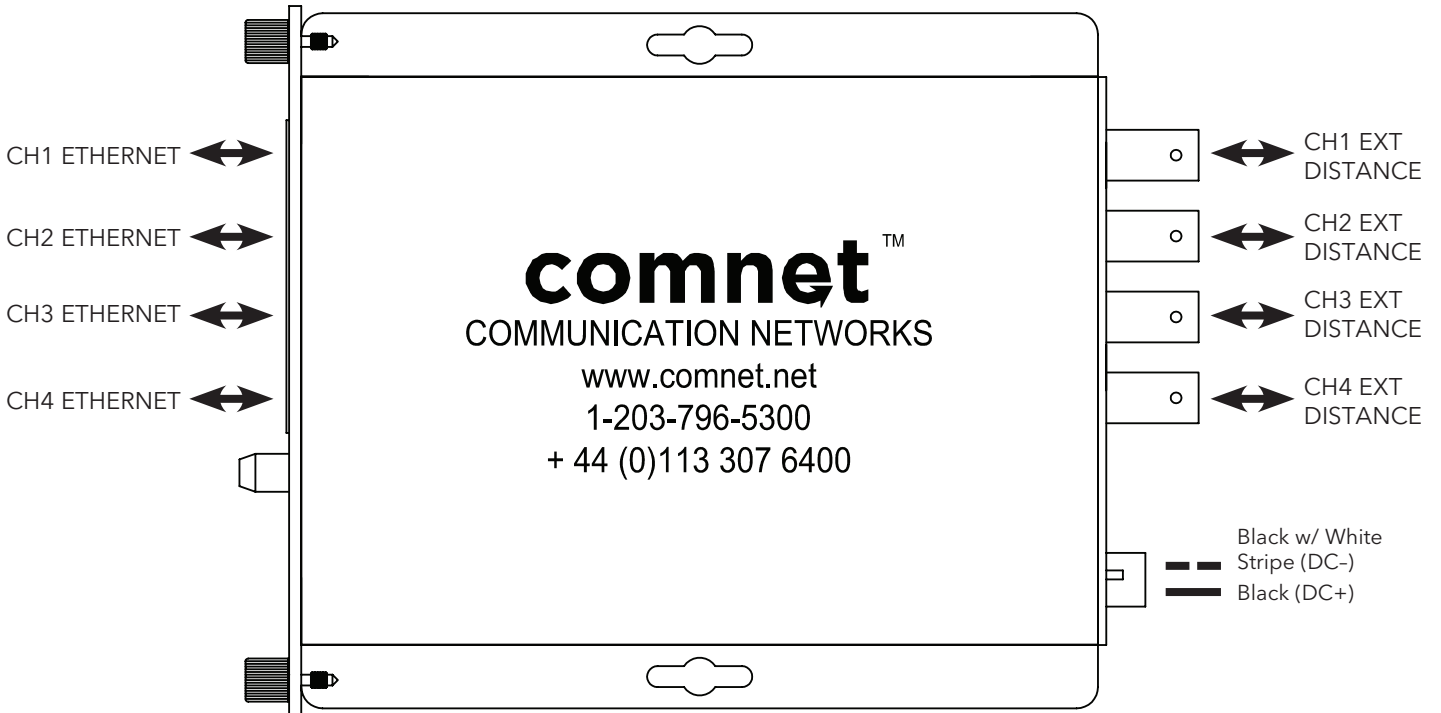


FIGURE 3 – CLFE4EOC FOUR CHANNEL SURFACE OR RACK MOUNT COAX UNIT



Operating Power: 9 to 15 VDC  
Power Consumption: 5W

FIGURE 4 – CLFE4EOC FOUR CHANNEL SURFACE OR RACK MOUNT COAX UNIT

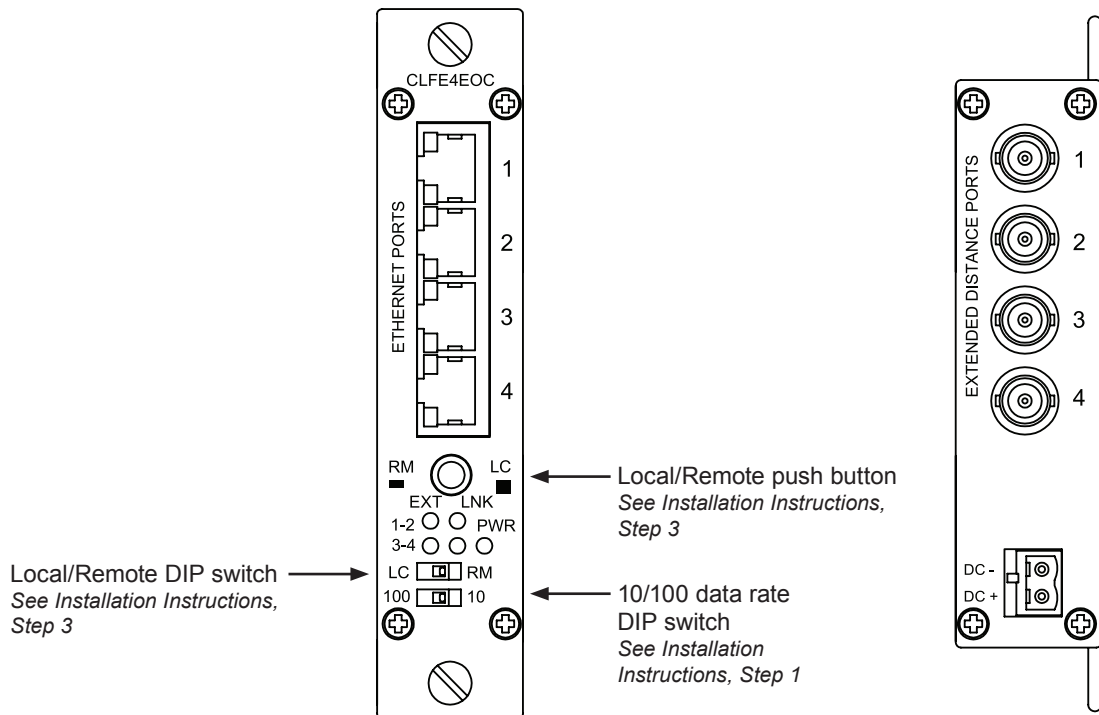
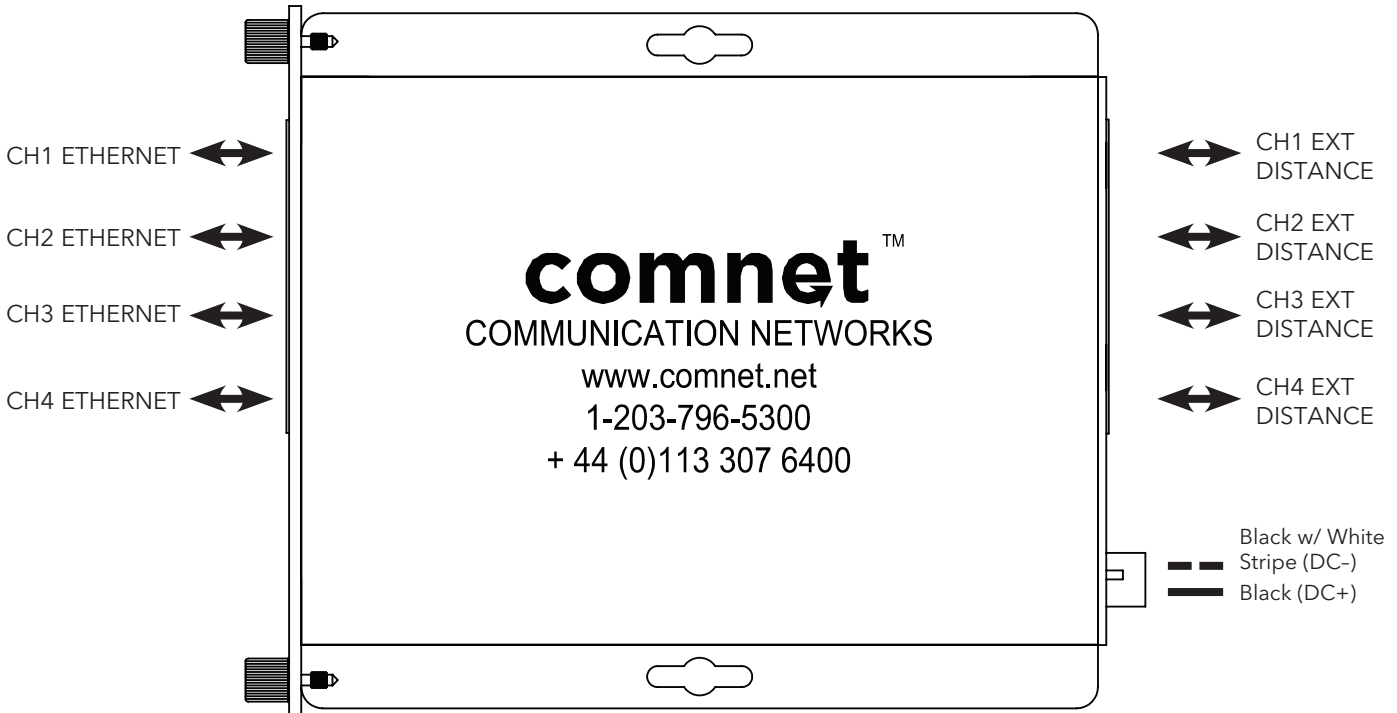


FIGURE 5 – CLFE4EOU FOUR CHANNEL SURFACE OR RACK MOUNT UTP UNITS



Operating Power: 9 to 15 VDC  
Power Consumption: 5W

FIGURE 6 – CLFE4EOU FOUR CHANNEL SURFACE OR RACK MOUNT UTP UNITS

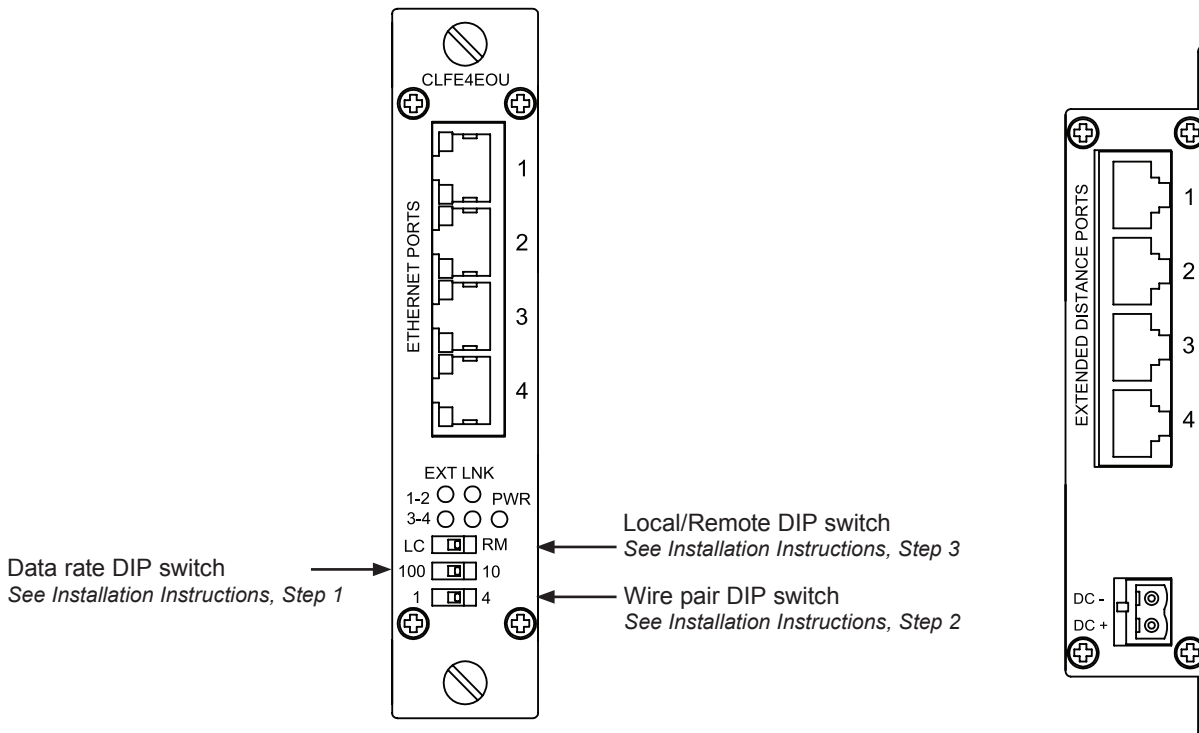


FIGURE 7 – CLFE8EOC MULTICHANNEL RACK COAX UNITS

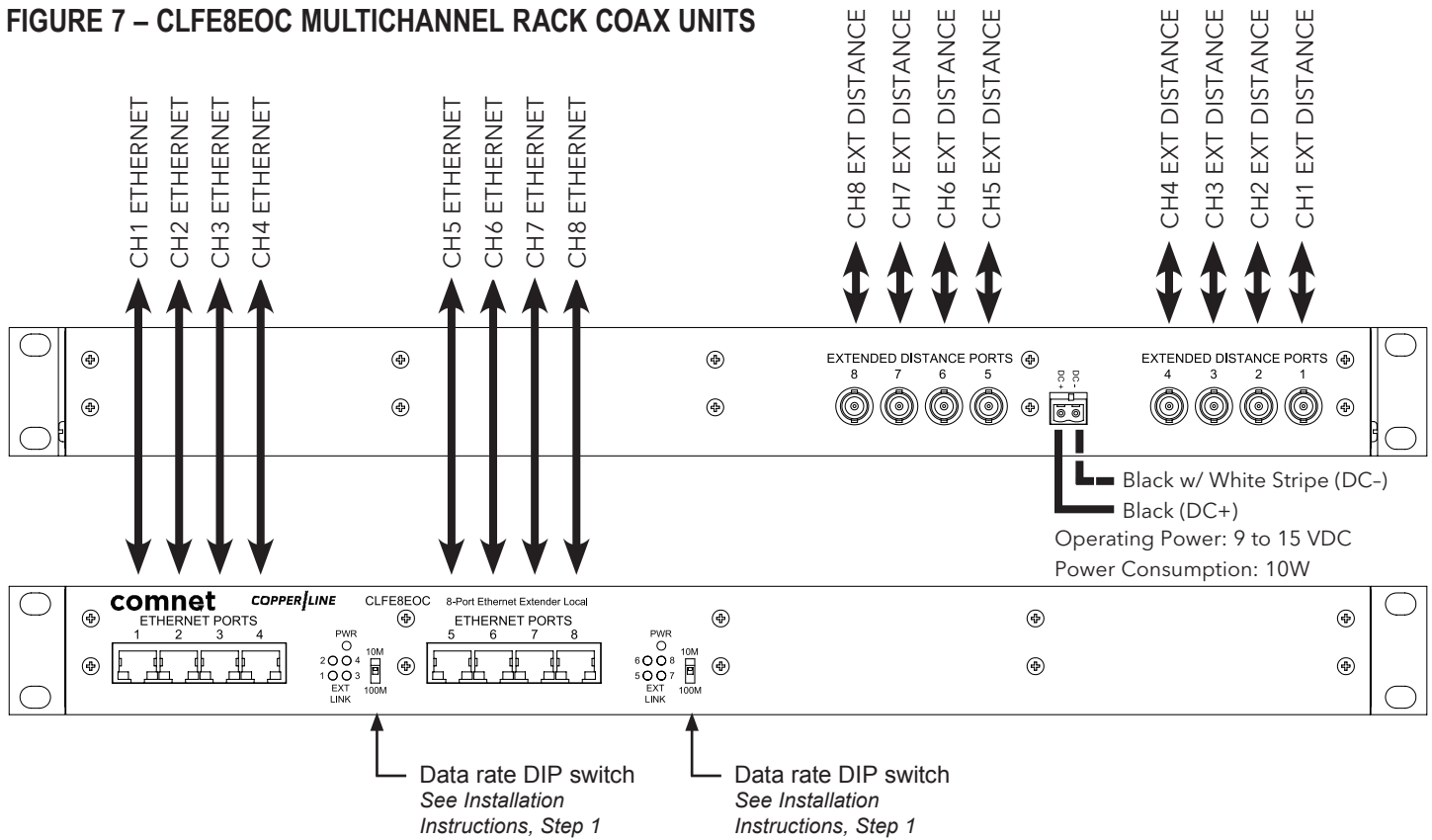


FIGURE 8 – CLFE8EOU MULTICHANNEL RACK UTP UNITS

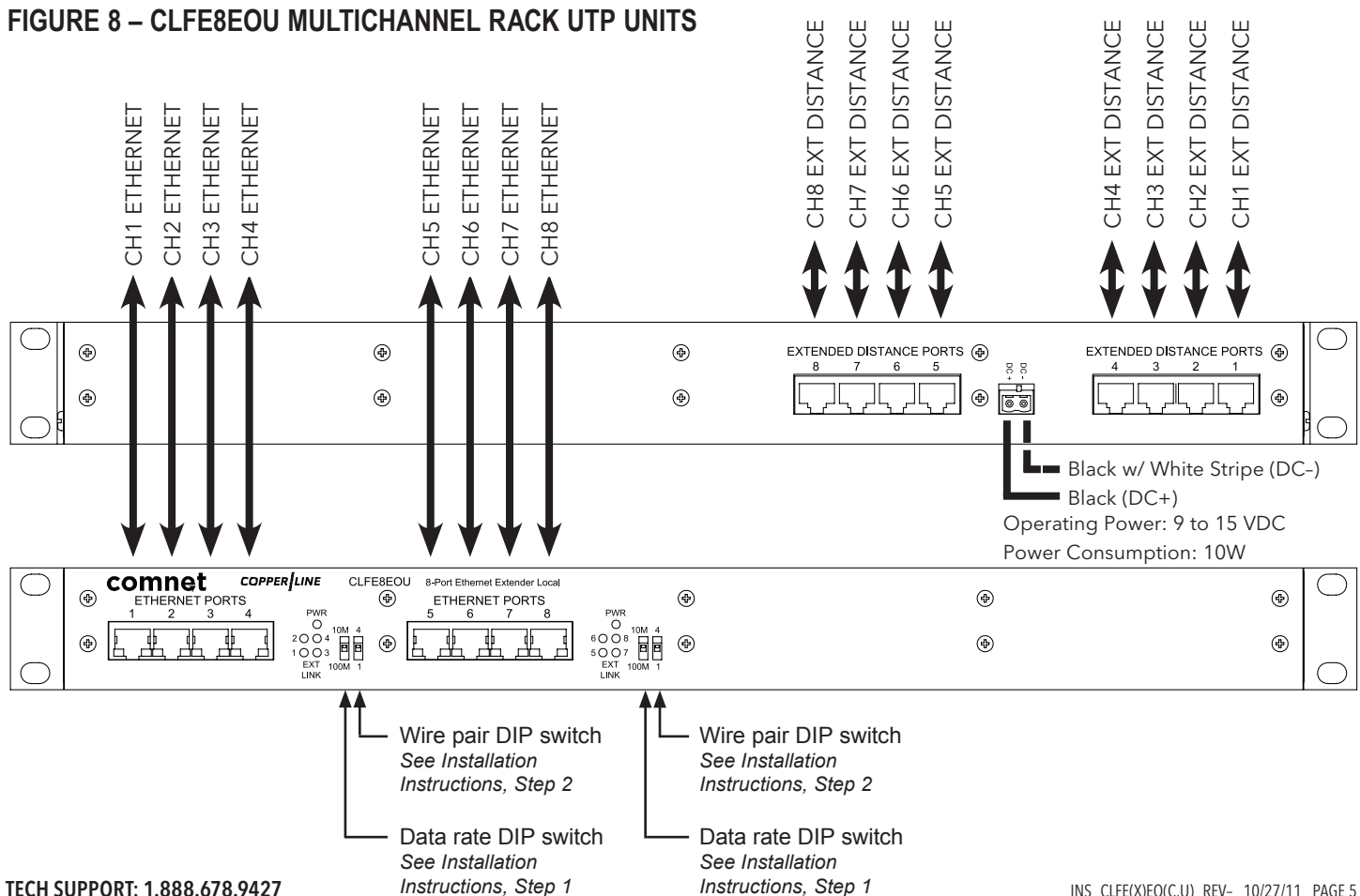


FIGURE 9 – CLFE16EOC MULTICHANNEL RACK COAX UNITS

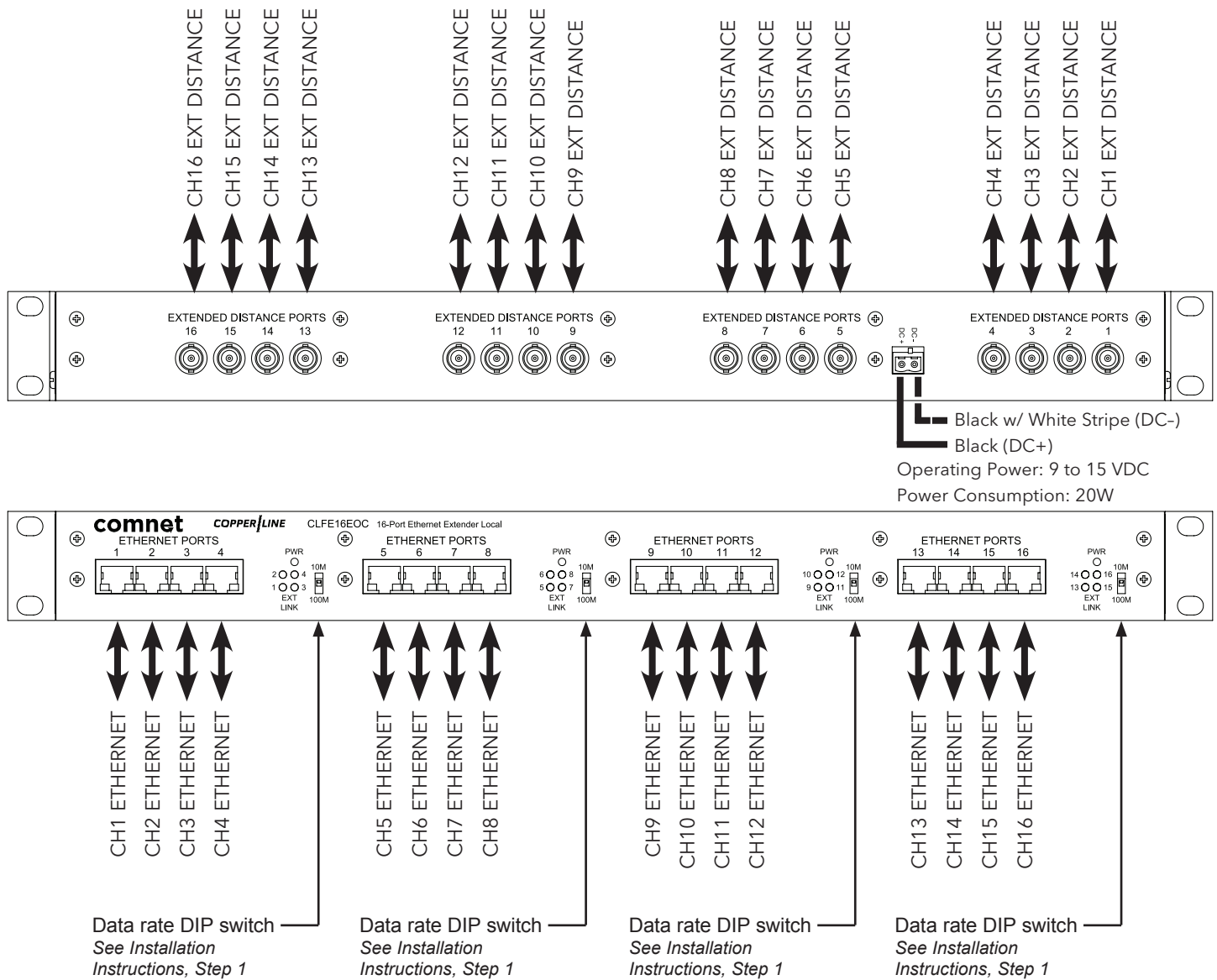
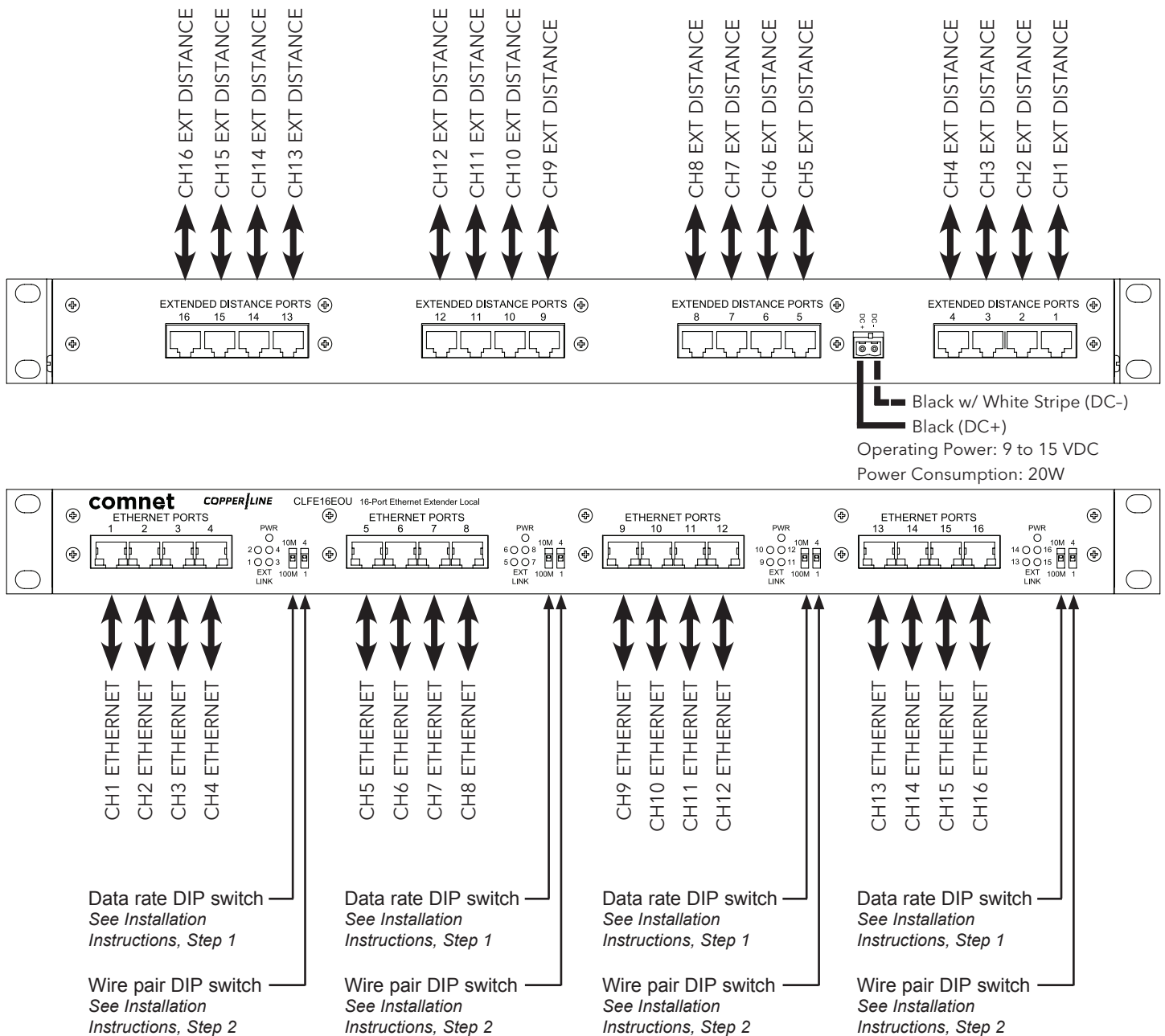
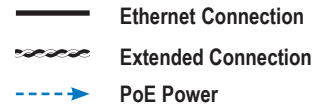


FIGURE 10 – CLFE16EOU MULTICHANNEL RACK UTP UNITS

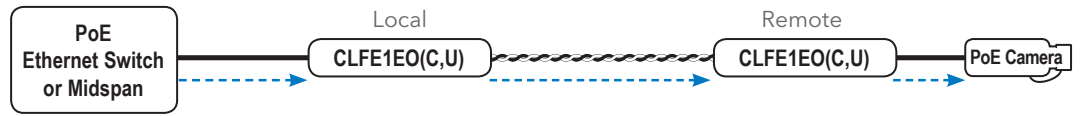


APPLICATION DIAGRAMS

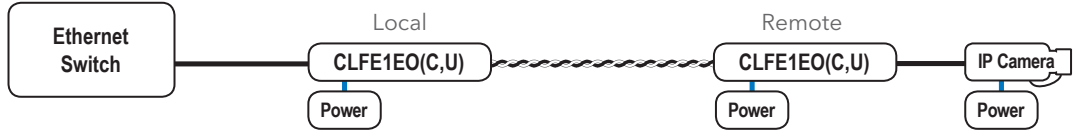
Note: Coaxial applications use CLFE(X)EOC modules; UTP applications use CLFE(X)EOU modules.



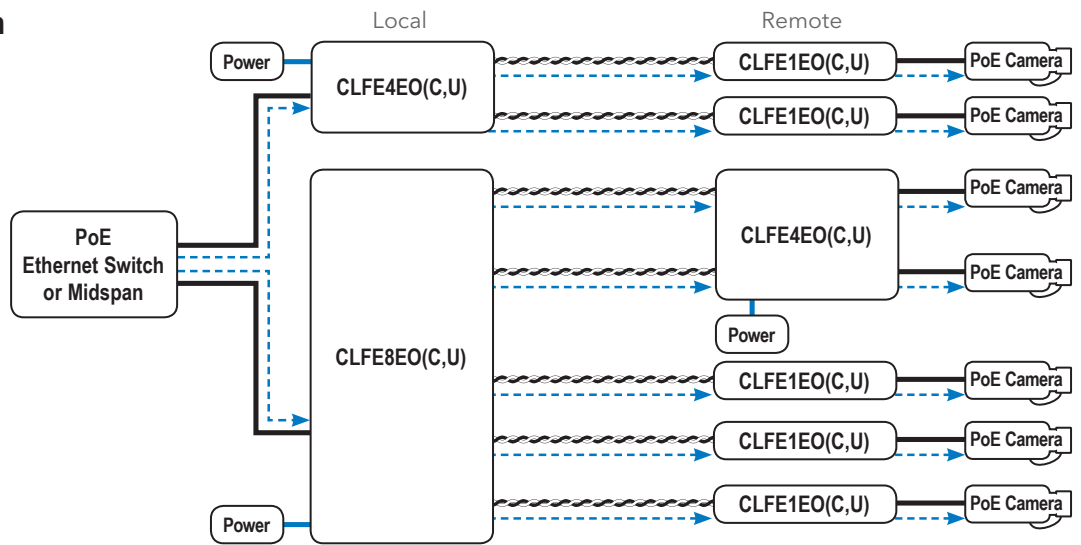
PoE Pass-Through Mode



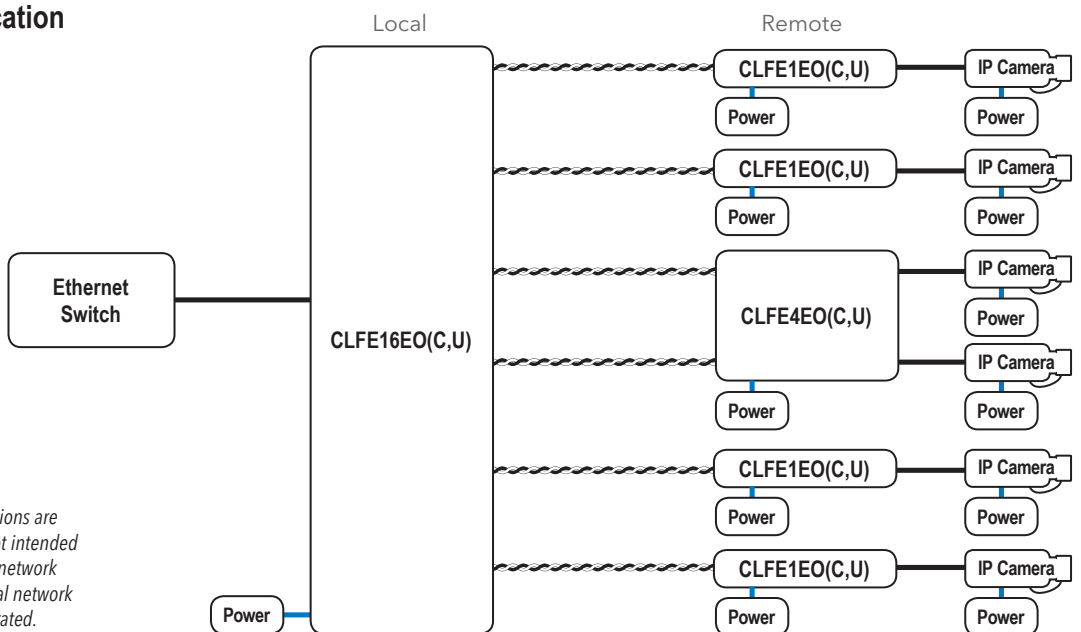
Non-PoE Mode



Multichannel PoE Application



Multichannel Non-PoE Application



**IMPORTANT NOTE. PLEASE READ.** The applications are shown as general representations only and are not intended to show detailed network topologies. Your actual network will differ, requiring changes or perhaps additional network equipment to accommodate the systems as illustrated. Please contact ComNet's Design Center to discuss your specific requirements.



**INSTALLATION INSTRUCTIONS**

**1 - SET 10/100 SWITCH**

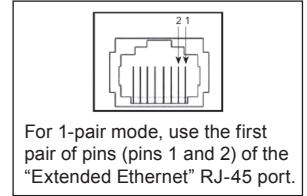
Locate the 10/100 data rate DIP switch on the unit.  
Set the data rate according to bandwidth required.

**NOTE: The data rate must be set the same on both the local and remote units.**

**2 - SET WIRE PAIR DIP SWITCHES (UTP MODELS ONLY, FOR COAX MODELS SKIP TO STEP 3)**

Locate the wire pair DIP switch on the unit.  
Set the pair according to number of twisted wire pairs used (1 or 4).

**NOTE: The number of pairs selected must be set the same on both the local and remote units.  
PoE Pass-Through mode is only available in 4-pair mode and requires a PD device connected to the ComNet remote unit to operate.**



**3 - SET LOCAL/REMOTE SWITCHES (1 AND 4 CHANNEL UNITS ONLY, FOR RACK UNITS SKIP TO STEP 4)**

Locate the Local/Remote Dip switch and set to “LC” at the head end or “RM” at the camera end.  
Locate the Local/Remote push button switch (coax units only), and set to the same setting as the dip switch.  
The CLFE8EO(C,U) and CLFE16EO(C,U) units are preconfigured as Local devices.

**4 - CONNECT EXTENDED WIRING**

Connect Extended Distance Port to field wiring.

**5 - CONNECT NETWORK WIRING**

Using CAT5/5e, connect Local unit to network and Remote unit to camera.

**6 - CONNECT POWER**

Connect power to unit per the following table:

**Power Connections per Use Case**

Unit	Local Power	Pass-Through PoE
CLFE1EO(C,U)	9 to 36 VDC or 18 to 32 VAC	No external power required
CLFE4EO(C,U)	9 to 15 VDC (9 VDC† when in a C1 or C2 rack)	
CLFE8EO(C,U) CLFE16EO(C,U)	9 to 15 VDC	

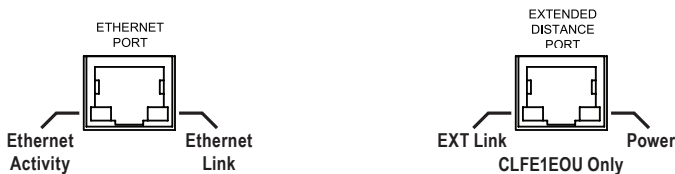
† Contact ComNet pre-sales support, or refer to the appropriate installation and operation manual when configuring and specifying power for a deployment.

**7 - VERIFY FUNCTIONALITY**

See LED table below and Troubleshooting Guide if corrective action is needed. See figures beginning on page 6 for LED configurations for each model.

**Indicating LEDs**

	PWR	Ethernet Link	Ethernet Activity	EXT LNK
<b>GREEN</b>	Power Applied	–	Activity Detected	10Mbps
<b>YELLOW</b>	–	Link Established	–	100Mbps
<b>OFF</b>	Power Off	No Link	No Activity	No Link



**APPLICATION NOTES**

- 1 Mixed PoE and Non-PoE systems can be implemented.
- 2 All Non-PoE systems require local power.
- 3 PoE powered operation requires that a PoE Camera be connected, and that the camera power requirements are understood.
- 4 Multiple Channel units (CLFE4EO(C,U), CLFE8EO(C,U), CLFE16EO(C,U)) require 9 to 15 VDC for proper operation. The CLFE4EO(C,U) can be used in a C1, C2, or C3.
- 5 Single Channel units (CLFE1EO(C,U)) require power for all Non-PoE applications. Local power can be used in PoE application to minimize PoE consumption.
- 6 Lower data rates generally provide longer operating distances.
- 7 Rack units (CLFE8EO(C,U), CLFE16EO(C,U)) are pre-configured for Local (LC) and have no configurable Local/Remote switch. Any unit connected to one of these rack units via an extended distance port must be configured as Remote (RM) for proper operation.

**APPROXIMATE MAXIMUM EXTENDED DISTANCES<sup>1</sup>**

Media	COAX - RG59/U				UTP - 4 pair				UTP - 1 pair	
	10M		100M		10M		100M		10M	100M
Data Rate										
Source Power	15W	30W	15W	30W	15W	30W	15W	30W	N/A	
Non-PoE Max.Distance <sup>1</sup>	5,000 ft 1,524 m		2,000 ft 610 m		3,000 ft 914 m		2,000 ft 610 m		3,000 ft 914 m	1,000 ft 305 m
PoE CLASS2 (6.5W) <sup>1</sup>	3,000 ft 914 m	3,000 ft 914 m	2,000 ft 610 m	2,000 ft 610 m	3,000 ft 914 m	3,000 ft 914 m	2,000 ft 610 m	2,000 ft 610 m	N/A	
PoE CLASS3 (13W) <sup>1</sup>	750 ft 228 m	850 ft 259 m	750 ft 228 m	850 ft 259 m	750 ft 228 m	850 ft 259 m	750 ft 228 m	850 ft 259 m	N/A	

[1] Distance figures are based on a 50 V PSE PoE power source, and external power supplies for the extenders. Distance figures are obtained using in-house testing mirroring installations. Factors such as coaxial and copper cable quality, the number of connectors and splices in the cable run, the use of PoE, and environmental conditions encountered within the installation might affect the actual transmission distance and should be taken into consideration. Due to advanced negotiation signaling required in IEEE802.3at applications, pass-through applications are limited to IEEE802.3af PD devices only. When using UTP models Pass-Through PoE is only possible in 4-pair mode.

**TROUBLESHOOTING GUIDE**

Problem	Steps to Take
Indicating LEDs not lighting	Non-PoE: Check that power is properly applied to the unit PoE: Check that PoE camera is connected, PoE source is enabled.
No Communication	Check Ethernet Link LEDs, Extended Link LEDs, All Connections, Local/Remote and 10/100 switches are set properly. Verify that Local units are installed at the head end and that Remote units are installed in the field.
Bad Video	Make sure Data Rate Switch is set properly, and the extended distance is within specifications (see Table "Approximate Maximum Extended Distances").
PoE Not Supplied to PD	Make sure camera is IEEE 802.3af rated, PoE Source switch is set properly, and the extended distance is within specifications (see Table "Approximate Maximum Extended Distances").
Units not reaching estimated max distances over COAX or CAT5/UTP	Check extended distance cable and connections. Try connection on a short cable to eliminate possibility of faulty cabling. Check that the extended distance wire is connected to Extended Distance Port. Verify that there is no additional equipment (e.g. surge protector) on the Extended Link. The cable should be continuous from end to end, with no active components.

**PRODUCT DIMENSIONS**

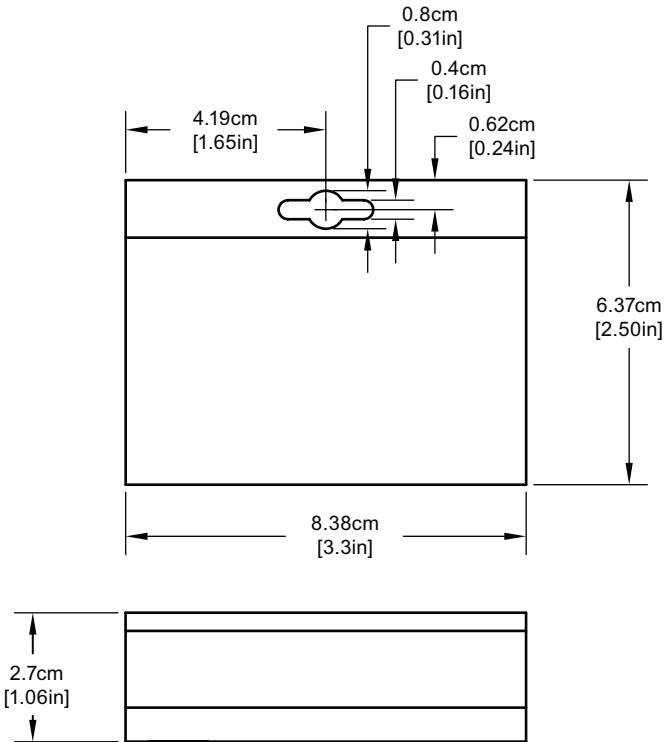
The CLFE1EO(C,U) is supplied as a standalone/surface mount (small size) module.

The CLFE4EO(C,U) is supplied as a standalone/surface/rack (ComFit) module.

The CLFE8EO(C,U) and CLFE16EO(C,U) are supplied as 19" wide rack units for standalone or rack installation.

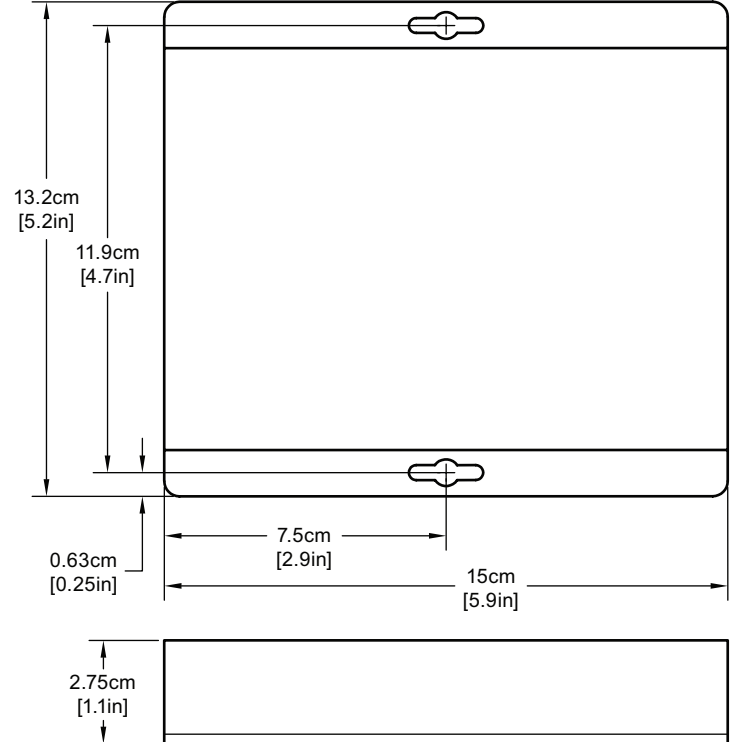
**FIGURE A**

*Dimensions are for a small size module*



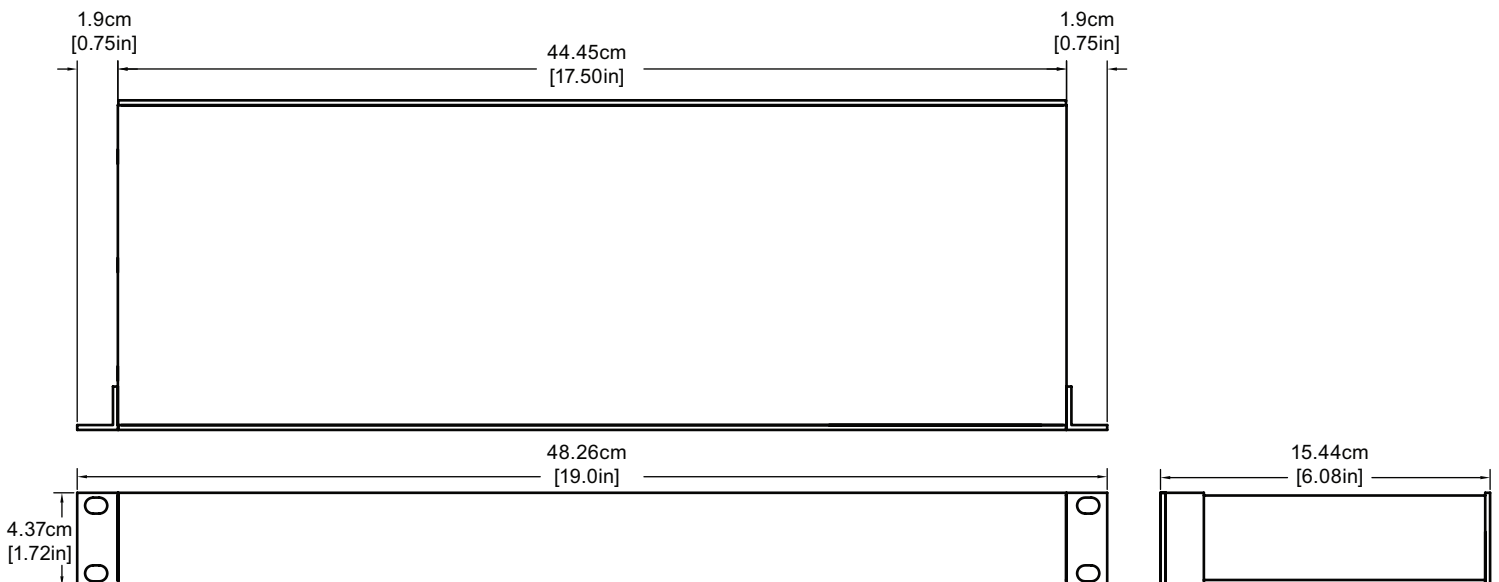
**FIGURE B**

*Dimensions are for a ComFit module*



**FIGURE C**

*Dimensions are for a 19" Rack Unit*



**INSTALLATION CONSIDERATIONS**

These units are supplied as Standalone/Rack mounted module. Units should be installed in dry locations protected from extremes of temperature and humidity.

**WARNING:** Unit is to be used with a Listed Class 2 power supply.

**IMPORTANT SAFEGUARDS:**

**A) Elevated Operating Ambient** - If installed in a closed or multi-unit rack assembly, the operating ambient temperature of the rack environment may be greater than room ambient. Therefore, consideration should be given to installing the equipment in an environment compatible with the maximum ambient temperature ( $T_{ma}$ ) specified by the manufacturer.

**B) Reduced Air Flow** - Installation of the equipment in a rack should be such that the amount of air flow required for safe operation of the equipment is not compromised.



**comnet**  
Communication Networks

3 CORPORATE DRIVE | DANBURY, CONNECTICUT 06810 | USA | T: 203.796.5300 | F: 203.796.5303 | TECH SUPPORT: 1.888.678.9427 | INFO@COMNET.NET

8 TURNBERRY PARK ROAD | GILDERSOME | MORLEY | LEEDS, UK LS27 7LE | T: +44 (0)113 307 6400 | F: +44 (0)113 253 7462 | INFO-EUROPE@COMNET.NET

© 2015 Communication Networks. All Rights Reserved. "ComNet," the "ComNet Logo," "CopperLine," and the "CopperLine Logo" are registered trademarks of Communication Networks.