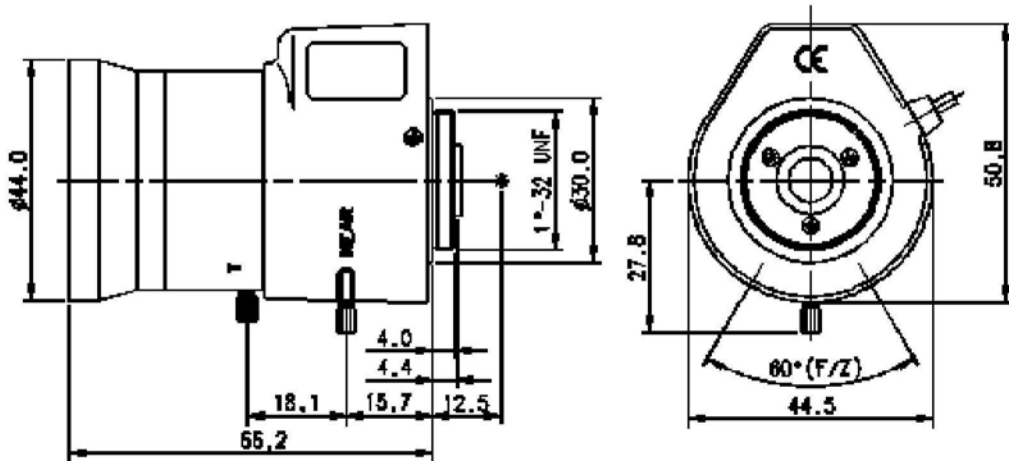


f = 5.0 ~ 50mm F1.4 ~ 360 VARIFOCAL
For 1/3" Format Camera

WDL-550AD

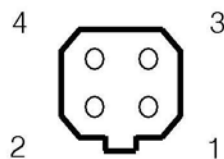
Model No.	WDL-550AD		Effective Lens Aperture	Front	Ø37.7mm
Focal Length	5.0 ~ 50mm			Rear	Ø10.0mm
Max. Aperture Ratio	1 : 1.4 ~ 360		Back Focal Length		7.6 ~ 11.5mm
Max. Image Format (H X V)	4.8 X 3.6		Flange Back Length		12.5mm
Operation	Iris	Auto(F1.4 ~ 360)	Mount		CS (1"-32 UNF)
	Focus	Manual	Dimensions (L X W X H)		66.2 X 44.5 X 50.8
	Zoom	Manual	Weight		155g
Object Size at 50cm (H X V)	5mm	1/3" 49.5 X 36.0cm	1/4" 36.0 X 26.6cm		
	50mm	5.0 X 3.8cm	3.8 X 2.8cm		
Angle of View	D	1/3"	65.7°~7.2°	1/4"	49.5°~5.4°
	H		52.7°~5.7°		39.6°~4.3°
	V		39.6°~4.3°		29.8°~3.2°
Iris Coil	Drive	190Ω	Operating Voltage	Open	4.0V
	Control	700Ω		Close	0.5V
Operating Temperature	-10°C ~ +50°C				

Dimension



Unit : mm

Wiring Diagram



1	RED	CONTROL (-)
2	BLACK	CONTROL (+)
3	WHITE	DRIVE (+)
4	GREEN	DRIVE (-)