



- Weatherproof high resolution 5" TFT LCD monitor
- 3 view color monitoring system
- 3 camera inputs
- Wide range input voltage (DC12V ~ 32V)
- Selectable mirror image mode
- Anti-Glare / anti-scratch protective lens and sunshield (option)
- OSD for AV source (Color, brightness, contrast, tint & volume control)
- Dual compatibility for NTSC/PAL video signals
- Integrated audio speaker
- Dot map display
- Auto scan function
- Auto power on

SPECIFICATION

Screen size

5.0" (diagonal)

Display resolution

800(W) x 480(H)

Contrast ratio

500:1

Brightness

Max 350cd/m²

Dot pitch (mm)

0.045(W) x 0.135(H)

Active area (mm)

108.0(W) x 64.8(H)

Viewing angle

Left 70° / Right 70° / Up 50° / Down 70°

Dimensions (Inch)

5.9"(W) x 4.9"(H)x1.3"(D)

Color system

NTSC / PAL

Video output

1Vp-p (75 ohm impedance)

Connectors

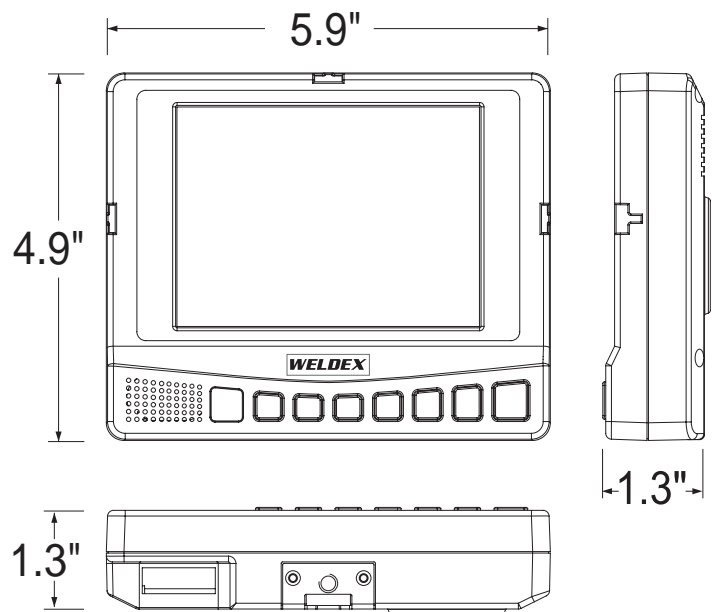
Locking cable & lead wire

Power consumption

DC12 ~ 32volt, max 7.2W

Operating temperature

-20°C ~ +70°C (-4°F ~ +158°F)



[5 Inch Series]