



- Weatherproof high resolution 7" TFT LCD monitor
- Multiple display mode (single, split_(auto), triple_(auto), quad)
- 4 camera inputs, 1AV input, 1AV output
- Wide range input voltage (DC12V ~ 32V)
- Selectable mirror image mode
- Anti-Glare sunshield (option)
- OSD for AV source (color, brightness, contrast, tint & volume control)
- Dual compatibility for NTSC / PAL video signals
- Integrated audio speaker
- Auto scan function
- Auto power on

SPECIFICATION

Screen size

7.0" (diagonal)

Display resolution

800(W) x 480(H)

Contrast ratio

500:1

Brightness

500cd/m²

Dot pitch (mm)

0.1905(H) x 0.1905(V)mm

Active area (mm)

152.4(H) x 91.44(V)mm

Viewing angle

Left 65° / Right 65° / Up 50° / Down 60°

Dimensions

7.7"(W) x 5.7"(H) x 1.3"(D)

Color system

NTSC / PAL

Connectors

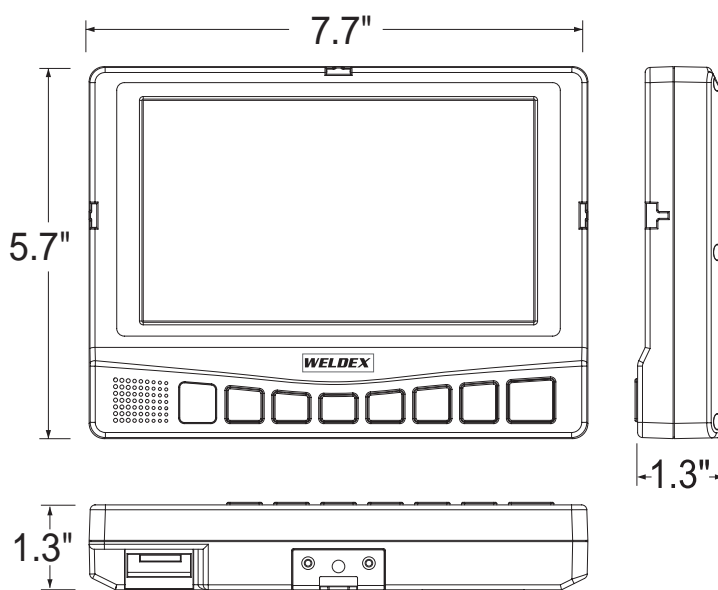
Locking Cable & Lead wire

Power consumption

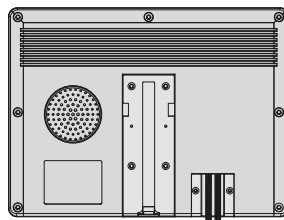
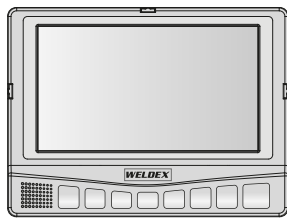
DC 12 ~ 32 volt, max 9.6W

Operating temperature

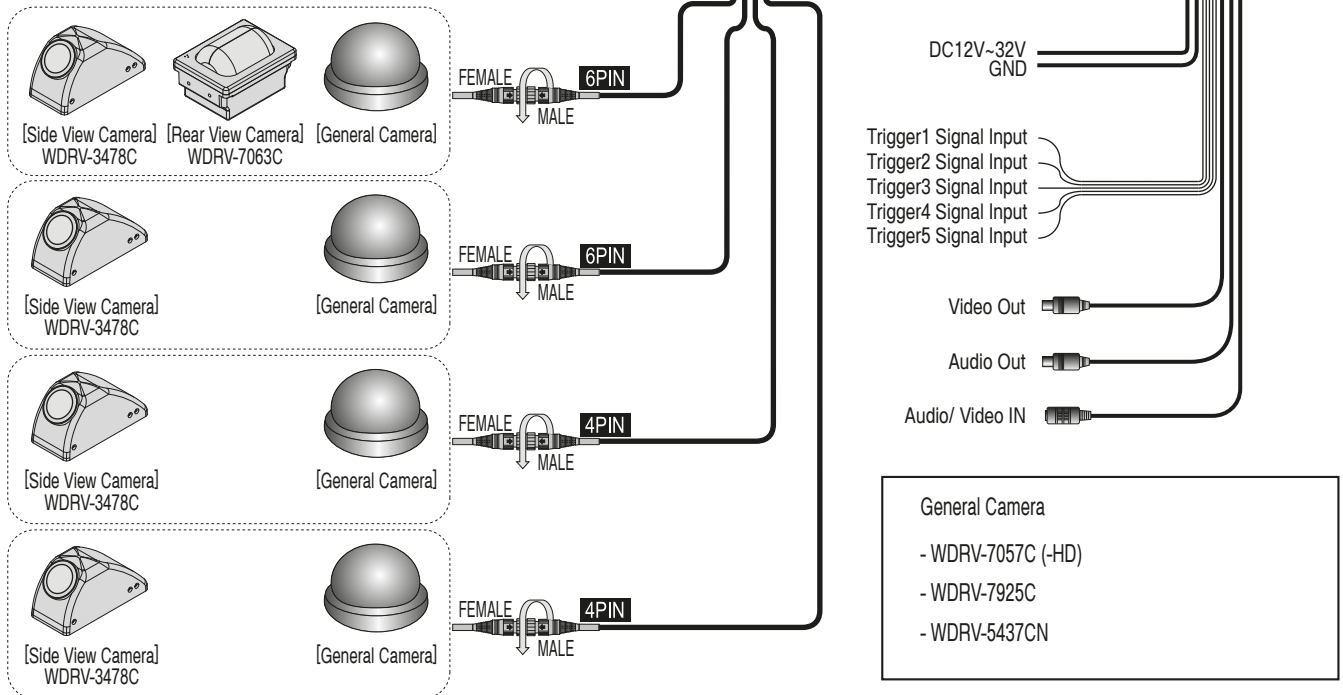
-20°C ~ +70°C (-22°F ~ +176°F)



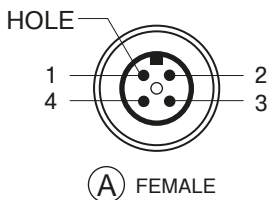
[7 Inch Series]



	Camera1	Camera2	Camera3	Camera4
WDRV-7464M/8464M	6Pin	6Pin	4Pin	4Pin
WDRV-7444M/8444M	4Pin	4Pin	4Pin	4Pin

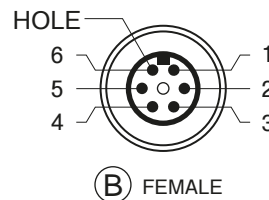


WDRV-3478C Pin Connection [SIDE VIEW CAMERA]



Pin No.	Description
1	GND
2	AUDIO
3	VIDEO
4	DC +12V

WDRV-7063C Pin Connection [REAR VIEW MOTORIZED CAMERA]



Pin No.	Description
1	VIDEO
2	DC +12V
3	MORTOR +
4	AUDIO
5	MORTOR -
6	GND