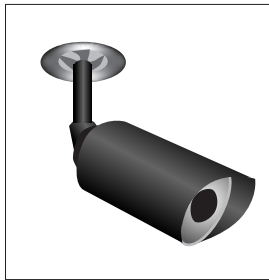


COLOR DSP WEATHERPROOF BULLET CAMERA WITH VARI-FOCAL DC AUTO IRIS LENS



- 12V DC
WDB-3580B
WDB-3585B
WDB-3580C
WDB-3585C
- 24V AC
WDBAC-3580B
WDBAC-3585B
WDBAC-3580C
WDBAC-3585C
WDBAC-2660C

DESCRIPTION

The Weatherproof BULLET Cameras are integrated units complete with the lens, housing, mounting bracket, and the camera itself. They are made for rugged environments that are susceptible to extreme light and other weather related conditions. With their unique and aesthetic design, it will fit into literally any standard security application. It will even replace the single camera, lens, and mount combination.

WARNING

1. Installation and service is to be performed by qualified personnel and conform to all local building codes.
2. Use only the installation methods found in this manual.
3. Use non-corrosive hardware for external installations and seal all hard wire connections with approved tape or sealant.

1. INSTALLATION

Preparing To Install

- A. Determine the location of installation and reinforce any soft mounting surfaces if needed.
- B. Complete all wire and conduit runs prior to installation of the camera.

Mounting The Swivel Bracket And Camera

- A. Mount the swivel bracket to the desired location on the ceiling, wall, or T-bar using the supplied screws or adapter.
- B. Rotate the camera onto the thread of the swivel bracket.
- C. Finger-tighten the locknut to hold the camera in place on the swivel mount.

Connecting The Video And Power

- A. Connect the video cable to the yellow BNC connector.
- B. Depending on the power requirement of the camera -
WDB-3580C - 12V DC center positive or
WDBAC-3580C - 24V AC -
connect the power supply cable to the lead wires or plug.

Adjust The Camera For Proper View

- A. Loosen the lock-screw on the swivel mount.
- B. Adjust the camera to the desired pan and tilt position.
- C. Tighten the lock-screw on the swivel mount.

2. ADJUSTING THE LENS AND DC IRIS LEVEL

Remove The Lens Cover

- A. Use the supplied L-wrench to remove the two (2) lens cover screws located on the front of the camera.
- B. Remove the lens cover.

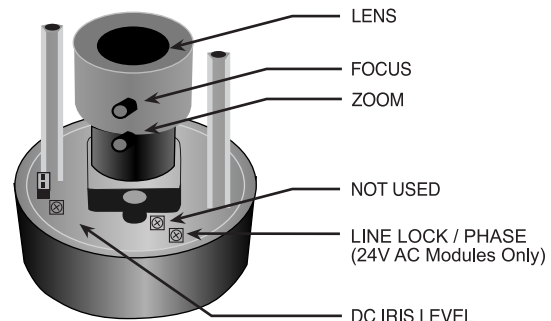
Focus The Lens

- A. Loosen the zoom and focus locking screws. Adjust according to scene detail. Re-tighten the zoom and focus locking screws.

Adjust the Auto Iris Level

The auto iris level is preset at the factory for optimum light level sensitivity. If needed, refer to the following procedure and diagram for auto iris level adjustment.

- A. Rotate the DC iris level control clockwise or counterclockwise to adjust for varying light levels.



WARRANTY INFORMATION

Weldex will repair or replace any Dome camera proved defective in material or workmanship for the length of the specified time for each model. Weldex will warranty all replacement parts and repairs for a period of 90 days from the date of repair and shipment when returned to user. All products requiring repair shall be sent freight prepaid to Weldex Corporation in Cerritos, California.

For whatever reason, the user or dealer must contact Weldex and obtain a Return Authorization number (RA#) if the product is to be received by Weldex. Please include a written explanation of the problem with the camera to be returned.



Contact a representative at the following address or number for technical information on this device. Please have the part number and date of receipt.

FOR TECHNICAL INFORMATION, PLEASE CALL OR WRITE:

WELDEX CORPORATION
6751 Katella Ave. Cypress, CA 90630
Phone: 1-714.761.2100
Fax: 1-714.761.3811
<http://www.weldex.com>
oem@weldex.com

* Commercial CCTV Equipment.

* This product subject to change without prior notice.

MODEL	FREQ	WATTS	VOLTS	
WDB-3580C WDB-3585C	60Hz	1.6W	DC 12V	 <small>U5M202060113-E-16</small> <small>E227627</small> <small>27WT</small>
WDBAC-3580C WDBAC-3585C	60Hz	4.1W	CLASS 2 AC 24V	
WDB-3580B WDB-3585B	60Hz	1.6W	DC 12V	 <small>G5M202060115-E-16</small> <small>E227627</small> <small>27WT</small>
WDBAC-3580B WDBAC-3585B	60Hz	4.1W	CLASS 2 AC 24V	