

# WELDEX

## WDP-21BM2

Weldex IP Miniature Bullet Camera



## Specification

Item		Description
Camera	Image sensor	Sony IMX122 1/2.7" CMOS WXGA HD image sensor
	Scanning system	Progressive scan
	Lens	F1.8 3.7mm mega pixel fixed lens
	Shutter	Rolling shutter
	White balance	Auto / manual
	White dynamic range	115 dB
	AGC	Low / middle / high
	Day & night	Auto / B&W / color (selectable)
	Noise reduction	Yes
Mirror & flip function	Yes	
Video	Compression	H.264 @ HPMJPEG
	Streaming	Simultaneous multiple streams H.264 streaming over UDP/TCP/HTTP or HTTPS, MJPEG streaming over HTTP or HTTPS
	Resolution	640x480, 800x480, 800x600, 1024x768, 1280x720, 1280x1024
	Frame rate	up to 30fps @ 1080p
Networking	Interface	10/100 Mbps ethernet, RJ-45
	ONVIF	Version 2.0 support
	Protocols	IPv4, TCP/IP, HTTP, HTTPS, UPnP, BONJOUR RTP/RTSP, SMTP, FTP, DHCP, NTP, DNS, DDNS, SNMP
Security	Users	8 Clients monitoring at the same time
	Security	Multi-level user access with password protection, IP address filtering, HTTPS encrypted data transmission
Maintenance	Firmware	Supports firmware upgrade
	Dual booting	Support for firmware recovery
	Factory reset	Restores to factory default settings
Applications	Security	SDK available for application development and system integration
Connectors	Ethernet	RJ-45 jack
	Audio output	1 stereo phone jack
	Trigger in/out	4P strip wire
	Power input	2.1mm DC jack
Power	Power over Ethernet (PoE)	IEEE 802.3af
	Power supply	9 VDC ~ 29 VDC input
	Power consumption	Max 3.5W
Environmental	Operating temperature	-40°C ~ 60°C
	Humidity	10 ~ 90% RH, non condensing
System	Operating system	Embedded linux
	Dimensions	55(H)mm x 20(V)mm
	Weight	-

weldex.com

Tel: (714) 761-2100 [USA]

Fax: (714) 761-3811 [USA]

Tel: +49 (0)2102 528 2803 [GERMANY]

Fax: +49 (0)2102 528 2804 [GERMANY]



© 2015 Weldex

6751 Katella Avenue, Cypress, CA 90630 USA  
Broichhof Strasse 5 D-40880 Ratingen, Germany

# WELDEX

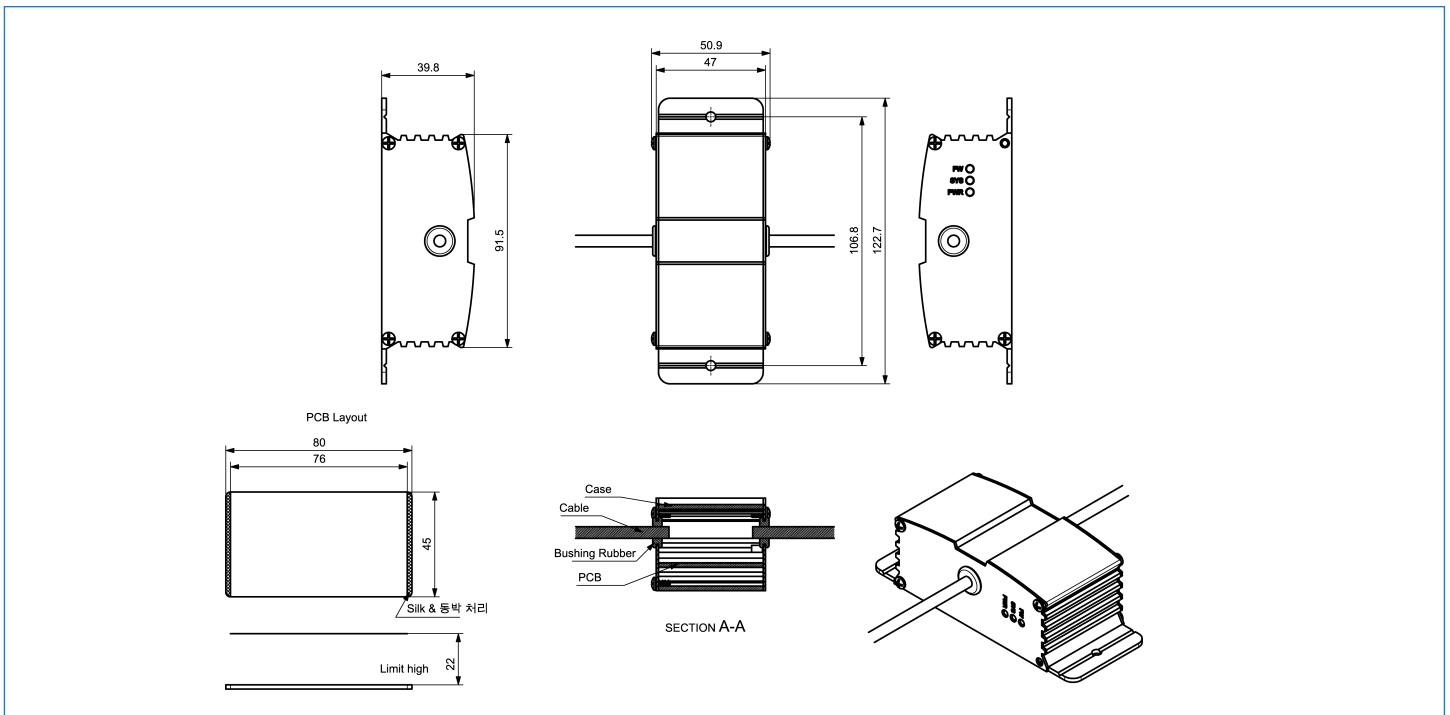
## WDP-21BM2

Weldex IP Miniature Bullet Camera

### Connector



### Dimensions



weldex.com

Tel: (714) 761-2100 [USA]

Fax: (714) 761-3811 [USA]

Tel: +49 (0)2102 528 2803 [GERMANY]

Fax: +49 (0)2102 528 2804 [GERMANY]



© 2015 Weldex

6751 Katella Avenue, Cypress, CA 90630 USA  
Broichhof Strasse 5 D-40880 Ratingen, Germany